

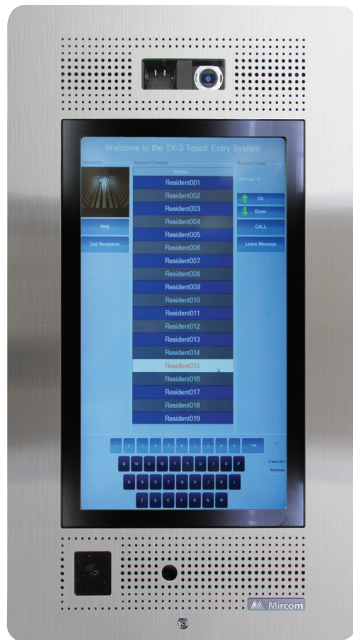


Mircom Communication & Security Sales Reference



Communication & Voice Entry

Touch Screen Voice Entry Systems



Description

Mircom's 22" Touch Flush Mount Telephone Access System is designed to provide a visually stunning and intuitive user-experience.

The system brings a number of innovative new features to provide a fully customizable solution for occupant and visitor access control in condominiums, apartment buildings, office buildings, gated communities and industrial buildings.

The 22" full color touch display provides ultra-wide viewing angles, which is sure to impress visitors & occupants alike.

The solution runs a reliable and proven Windows-based operating system to offer the most feature rich system on the market. For ADC/NSL telephone interconnectivity, the system uses Mircom's custom interface modules, successfully installed in thousands of buildings across the globe

Features

- 22" full color touch display provides ultra-wide viewing angles, sure to impress visitors & occupants alike.
- Call buttons and a scrolling name directory make for an intuitive call interface
- Constructed of heavy gauge 304 stainless steel with a #4 brushed finish for a durable and neutral finish that works perfectly with any décor.
- Interior can conveniently house an optional Card access controller, high definition IP camera, and an optional postal lock are available and can be conveniently housed. Using TIA/EIA-485, multiple panels can be connected for up to 63 nodes, including: card access, voice entry and/or elevator restriction cabinets.
- Allows for easy customization using four fully configurable themes (color & font), 4 preset themes, 4 screen layout templates, as well as a configurable Welcome Screen
- Includes three built-in keyboard layouts (Full QWERTY, Full QWERTY + Num pad, or Simple)
- Standard Wiegand interface for card readers provides a large selection of readers.
- Help button activates a video for easy instructions to the visitor
- An e-mail feature allows visitors to leave private messages for occupants.
- Supports both Auto Dialer (ADC) and No Phone Bill (NSL)
- Elevator restriction capability is available for buildings requiring a higher level of security.
- Variety of programming options available via built-in USB or Ethernet ports, as well as modem and COM-to-RS485 modules to meet your specific site requirements.
- Optional revenue generating advertising module available
- Whisper quiet fan-less operation
- Easily load media content via built-in USB Interface or TCP/IP for advertising or greeting message in JPG, GIF, SWF, WMV and MPEG file formats.
- Industry Canada and F.C.C. approved

Applications

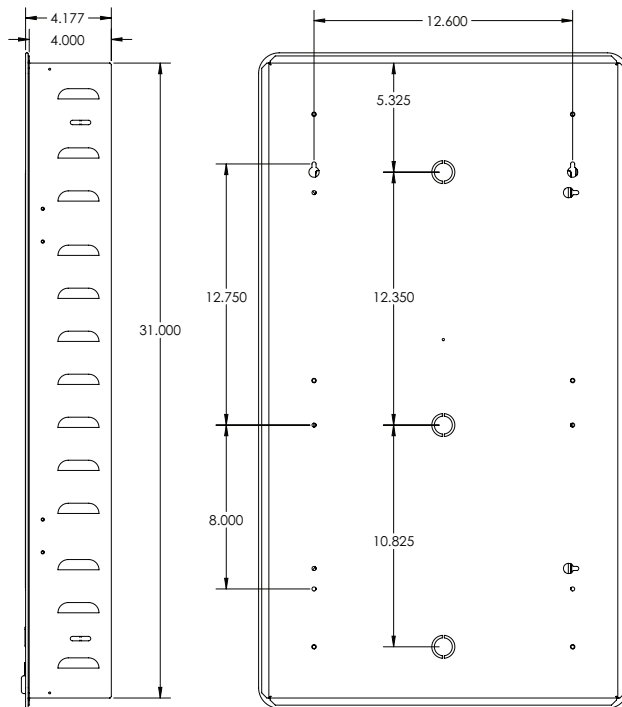
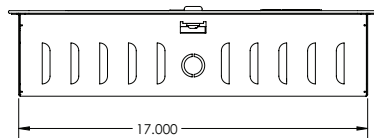
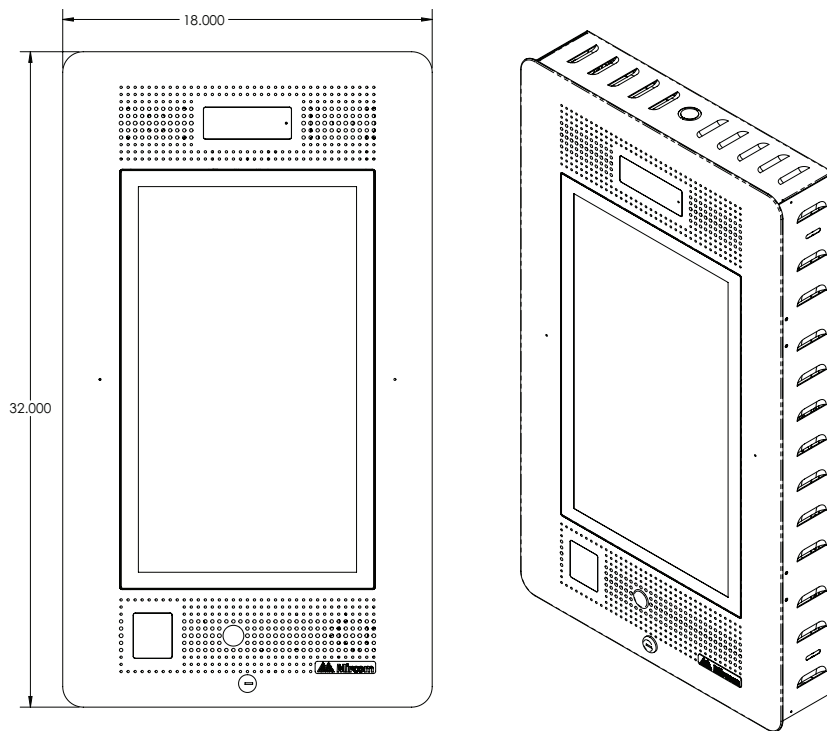
- Provides resident/visitor access control for buildings such as condominiums, apartment buildings, office buildings, gated communities and industrial buildings
- Designed for indoor applications that require a flush mount visitor management system.

CATALOG NUMBER 6547

NOT TO BE USED FOR INSTALLATION PURPOSES.

Mircom reserves the right to make changes at any time without notice in prices, colours, materials, components, equipment, specifications and models and also to discontinue models.

Mechanical Dimensional Diagram



Technical Specifications

Dimensions	45.72 x 81.28 x 10.597 cm (18" x 32" x 4.172")
Weight	29.5 Kg (65 lbs.)
Computer	Intel Atom GENECV05
Hard Drive	High performance CFast card comes standard with 8GB storage
Power	24V DC/156 W – Switching Power Supply included. (RB-MD-990)
Software	Windows 7 Embedded with Microsoft SQL Server Express Database for handling a large number of resident information
Operating Temperature	0-40°C (31°-104°F)
Operating Humidity	90% maximum
Upgrades	IP camera, two door controller, fan, postal lock
Approvals	FCC, Industry Canada

Ordering Information

Model	Description
Flush Mount Touch Screen Telephone Access System	
TX3-TOUCH-F22	Flush Mount Touch Screen Telephone Access System. Includes: Stainless steel enclosure with 22" touch screen LCD display, 8 GB Flash Memory, PC motherboard with Intel Atom processor, 2000 name controller TX3 configuration software and a 24 VDC switching power supply.
No Phone Bill (NSL) Components	
TX3-NSL-8M	Master NSL Relay Cabinet. Supports eight 2012 Telephone Line Relay Cards.
TX3-8EC	8 Relay Card Expander Cabinet
TX3-16EC	16 Relay Card Expander Cabinet
2012	Twelve Unit Telephone Relay Card
9106	6 ft. relay cable for 2012
2012K	NSL Relay Card and Cable Kit. Kit includes (1) 2012 twelve unit telephone relay card and (1) 9106 six ft. relay cable
ADSL-100	ADSL line filter module for NSL applications
Elevator Restriction Components	
TX3-ER-8-A	Elevator Restriction Relay Cabinet. Supports eight 2012E Elevator Restriction Relay Cards.
2012E	Twelve Unit Elevator Restriction Relay Card
Card Access Components	
TX3-CX-2K-A	Two Door Access Control System Kit with one TX3-CX Door Controller, two Proximity Readers (SR-2400MI-GR-MP), transformer, TX3-MSW Configuration software and a USB cable. Requires (1) 12V battery 5 Ah to 7 Ah.
CS-MIR-0-0	Clam Shell Proximity Card, must be ordered in groups of 25
KT-MIR-0-0	Key Tag, must be ordered in blocks of 10
TX3-P300-HA	Mullion Mount, Card Reader
TX3-WRR-42	Dual Channel Wiegand Receiver
TX3-WRT-2H	Two Button transmitter with embedded 125 kHz proximity tag, must be ordered in blocks of 10
TX3-WRT-4H	Four Button transmitter with embedded 125 kHz proximity tag, must be ordered in blocks of 10
Optional Modules	
TX3-MDM	Modem Module
TX3-GPM	Guard Phone Module
TX3-MSW	TX3 Configuration Software
TX3-CF-003	Fan
P1204	Axis P1204 Pinhole camera

NOT TO BE USED FOR INSTALLATION PURPOSES.



Canada
25 Interchange Way
Vaughan, Ontario L4K 5W3
Telephone: (905) 660-4655
Fax: (905) 660-4113

U.S.A.
4575 Witmer Industrial Estates
Niagara Falls, NY 14305
Toll Free: (888) 660-4655
Fax Toll Free: (888) 660-4113

Web page: <http://www.mircom.com> Email: mail@mircom.com

Distributed by:

ISO 9001:2008
REGISTERED



CAT. 6547
Rev.1



TX3-T-KIOSK
Optional Black Pedestal

Description

Mircom's 22" Touch Surface Mount Telephone Access System is designed to provide a visually stunning and intuitive user-experience.

The system brings a number of innovative new features to provide a fully customizable solution for occupant and visitor access control in condominiums, apartment buildings, office buildings, gated communities and industrial buildings.

The 22" full color touch display provides ultra-wide viewing angles, which is sure to impress visitors & occupants alike.

The solution runs a reliable and proven Windows-based operating system to offer the most feature rich system on the market. For ADC/NSL telephone interconnectivity, the system uses Mircom's custom interface modules, successfully installed in thousands of buildings across the globe

Features

- 22" full color touch display provides ultra-wide viewing angles, sure to impress visitors & occupants alike.
- Call buttons and a scrolling name directory make for an intuitive call interface
- Constructed of heavy gauge 304 stainless steel with a #4 brushed finish for a durable and neutral finish that works perfectly with any décor.
- Interior can conveniently house an optional Card access controller, high definition IP camera, and an optional postal lock are available and can be conveniently housed. Using TIA/EIA-485, multiple panels can be connected for up to 63 nodes, including: card access, voice entry and/or elevator restriction cabinets.
- Allows for easy customization using four fully configurable themes (color & font), 4 preset themes, 4 screen layout templates, as well as a configurable Welcome Screen
- Includes three built-in keyboard layouts (Full QWERTY, Full QWERTY + Num pad, or Simple)
- Standard Wiegand interface for card readers provides a large selection of readers.
- Help button activates a video for easy instructions to the visitor
- An e-mail feature allows visitors to leave private messages for occupants.
- Supports both Auto Dialer (ADC) and No Phone Bill (NSL)
- Elevator restriction capability is available for buildings requiring a higher level of security.
- Variety of programming options available via built-in USB or Ethernet ports, as well as modem and COM-to-RS485 modules to meet your specific site requirements.
- Optional revenue generating advertising module available
- Whisper quiet fan-less operation
- Easily load media content via built-in USB Interface or TCP/IP for advertising or greeting message in JPG, GIF, SWF, WMV and MPEG file formats.
- Industry Canada and F.C.C. approved

Applications

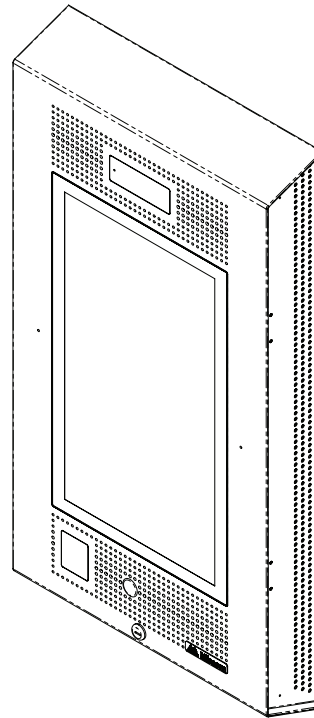
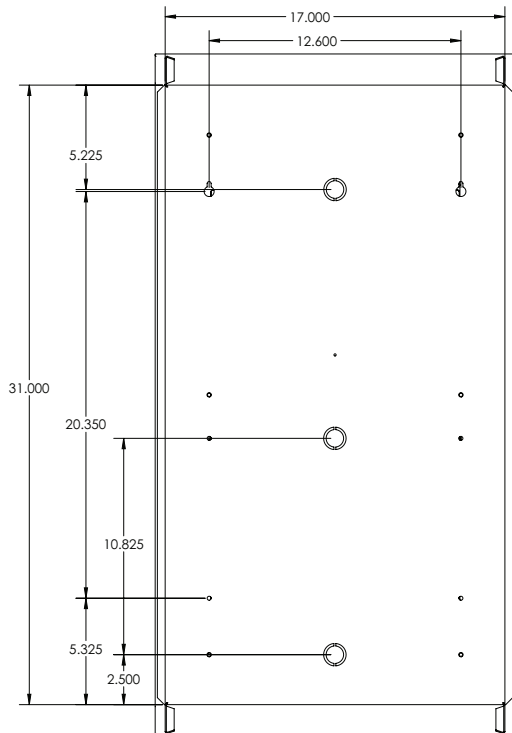
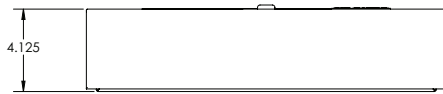
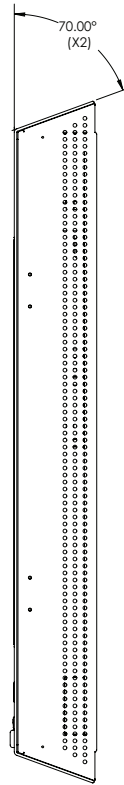
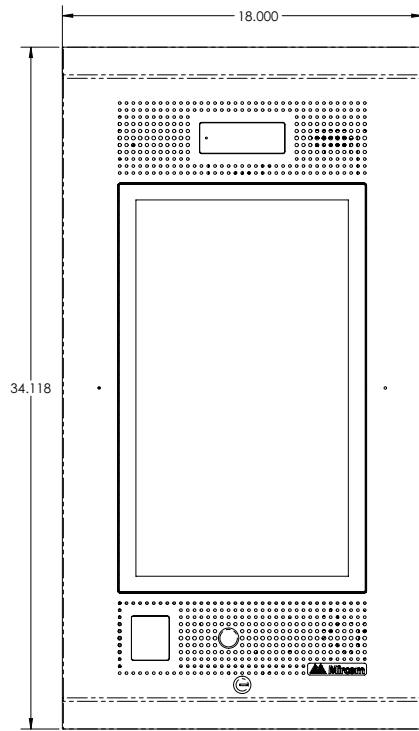
- Provides resident/visitor access control for buildings such as condominiums, apartment buildings, office buildings, gated communities and industrial buildings
- Designed for indoor applications that require a surface mount visitor management system.

CATALOG NUMBER 6546

NOT TO BE USED FOR INSTALLATION PURPOSES.

Mircom reserves the right to make changes at any time without notice in prices, colours, materials, components, equipment, specifications and models and also to discontinue models.

Mechanical Dimensional Diagram



Technical Specifications

Dimensions	45.72 x 81.28 x 10.597 cm (18" x 32" x 4.172")
Weight	31.75 Kg (70 lbs.)
Computer	Intel Atom GENECV05
Hard Drive	High performance CFast card comes standard with 8GB storage
Power	24V DC/156 W – Switching Power Supply included. (RB-MD-990)
Software	Windows 7 Embedded with Microsoft SQL Server Express Database for handling a large number of resident information
Operating Temperature	0-40°C (31°-104°F)
Operating Humidity	90% maximum
Upgrades	IP camera, two door controller, fan, postal lock
Approvals	FCC, Industry Canada

Ordering Information

Model	Description
Surface Mount Touch Screen Telephone Access System	
TX3-TOUCH-S22	Surface Mount Touch Screen Telephone Access System. Includes: Stainless steel enclosure with 22" touch screen LCD display, 8 GB Flash Memory, PC motherboard with Intel Atom processor, 2000 name controller TX3 configuration software and a 24 VDC switching power supply.
TX3-T-KIOSK	Optional Pedestal mount to fasten surface mount unit. Unit base to be bolted to floor.
No Phone Bill (NSL) Components	
TX3-NSL-8M	Master NSL Relay Cabinet. Supports eight 2012 Telephone Line Relay Cards.
TX3-8EC	8 Relay Card Expander Cabinet
TX3-16EC	16 Relay Card Expander Cabinet
2012	Twelve Unit Telephone Relay Card
9106	6 ft. relay cable for 2012
2012K	NSL Relay Card and Cable Kit. Kit includes (1) 2012 twelve unit telephone relay card and (1) 9106 six ft. relay cable
ADSL-100	ADSL line filter module for NSL applications
Elevator Restriction Components	
TX3-ER-8-A	Elevator Restriction Relay Cabinet. Supports eight 2012E Elevator Restriction Relay Cards.
2012E	Twelve Unit Elevator Restriction Relay Card
Card Access Components	
TX3-CX-2K-A	Two Door Access Control System Kit with one TX3-CX Door Controller, two Proximity Readers (SR-2400MI-GR-MP), transformer, TX3-MSW Configuration software and a USB cable. Requires (1) 12V battery 5 Ah to 7 Ah.
CS-MIR-0-0	Clam Shell Proximity Card, must be ordered in groups of 25
KT-MIR-0-0	Key Tag, must be ordered in blocks of 10
TX3-P300-HA	Mullion Mount, Card Reader
TX3-WRR-42	Dual Channel Wiegand Receiver
TX3-WRT-2H	Two Button transmitter with embedded 125 kHz proximity tag, must be ordered in blocks of 10
TX3-WRT-4H	Four Button transmitter with embedded 125 kHz proximity tag, must be ordered in blocks of 10
Optional Modules	
TX3-MDM	Modem Module
TX3-GPM	Guard Phone Module
TX3-MSW	TX3 Configuration Software
TX3-CF-003	Fan
P1204	Axis P1204 Pinhole camera

NOT TO BE USED FOR INSTALLATION PURPOSES.



Canada
25 Interchange Way
Vaughan, Ontario L4K 5W3
Telephone: (905) 660-4655
Fax: (905) 660-4113

U.S.A.
4575 Witmer Industrial Estates
Niagara Falls, NY 14305
Toll Free: (888) 660-4655
Fax Toll Free: (888) 660-4113

Web page: <http://www.mircom.com> Email: mail@mircom.com

Distributed by:

ISO 9001:2008
REGISTERED



CAT. 6546
Rev 1



Description

Mircom's TX3-Touch Series Telephone Access Systems are the most advanced entrance automation and security systems available on the market today.

The TX3-Touch Series surface mount unit is designed to replace old style technology voice entry panels with a prestigious modern day greeting display to visitors to multi-residential buildings such as apartments, condominiums, and office buildings.

The TX3-Touch Series allows building occupants to communicate with visitors and grant or deny entry into a complex. The TX3-Touch unit can be customized to display various layouts, videos and groups as well as promotional or site specific information. In addition the TX3-Touch Series comes with a HD web camera with provisions for a built-in HD IP camera, postal lock, card access proximity card reader and access controller.

The TX3-Touch Series surface mount unit is constructed of a heavy gauge stainless steel and is designed for indoor applications. The TX3-Touch Series user interface is built on top of the Intel Atom architecture running a reliable and proven windows based operating system to offer the most feature rich system on the market. Communication is provided via ADC, NSL or voip for telephone interconnectivity. Field proven, Mircom's TX3 is sold worldwide providing years of reliable service in buildings around the world for over 25 years.

Features

- 15" color anti-glare, industrial grade touch screen display that is viewable in direct sunlight
- Built-in TCP/IP capability for remote programming or maintenance
- Constructed of heavy gauge stainless steel to withstand years of abuse
- Built-in HD web camera and proximity card reader for easy integration to other technology platforms
 - Provision to add optional HD IP camera, postal lock and card access controller
- Multiple panels can be connected on a shared database for up to 63 nodes using RS-485 or unlimited using TCP/IP.
- Four fully configurable themes (color & font), 4 preset themes, and 4 screen layout templates
- Three built-in keyboard layouts (Full QWERTY, Full QWERTY + Num pad, or Simple)
- Standard wiegand interface for card access.
- Intuitive call interface using one call button or one-call button per resident
- Voice or video based help menu for ease of use
- Built-in e-mail resident feature. (requires email service provider.)
- Supports PSTN (POTs), No Phone Bill (NSL) and VoIP
- Elevator restriction capability
- Programming via built-in USB, TCP/IP, modem or locally using the configuration on screen application
 - Recurring revenue opportunities using the remote desktop capability for maintenance and/or the advertising module.
 - Easily load media content via built-in USB or TCP/IP interface. Supports JPG, GIF, SWF, WMV and MPEG file formats. Fully removable lightweight inner chassis for easy maintenance Industry Canada and F.C.C. approved

Applications

- Provides resident/visitor access control for buildings such as condominiums, apartment buildings, office buildings and industrial buildings
- Designed for indoor applications that require a flush mount visitor management system

CATALOG NUMBER 6549

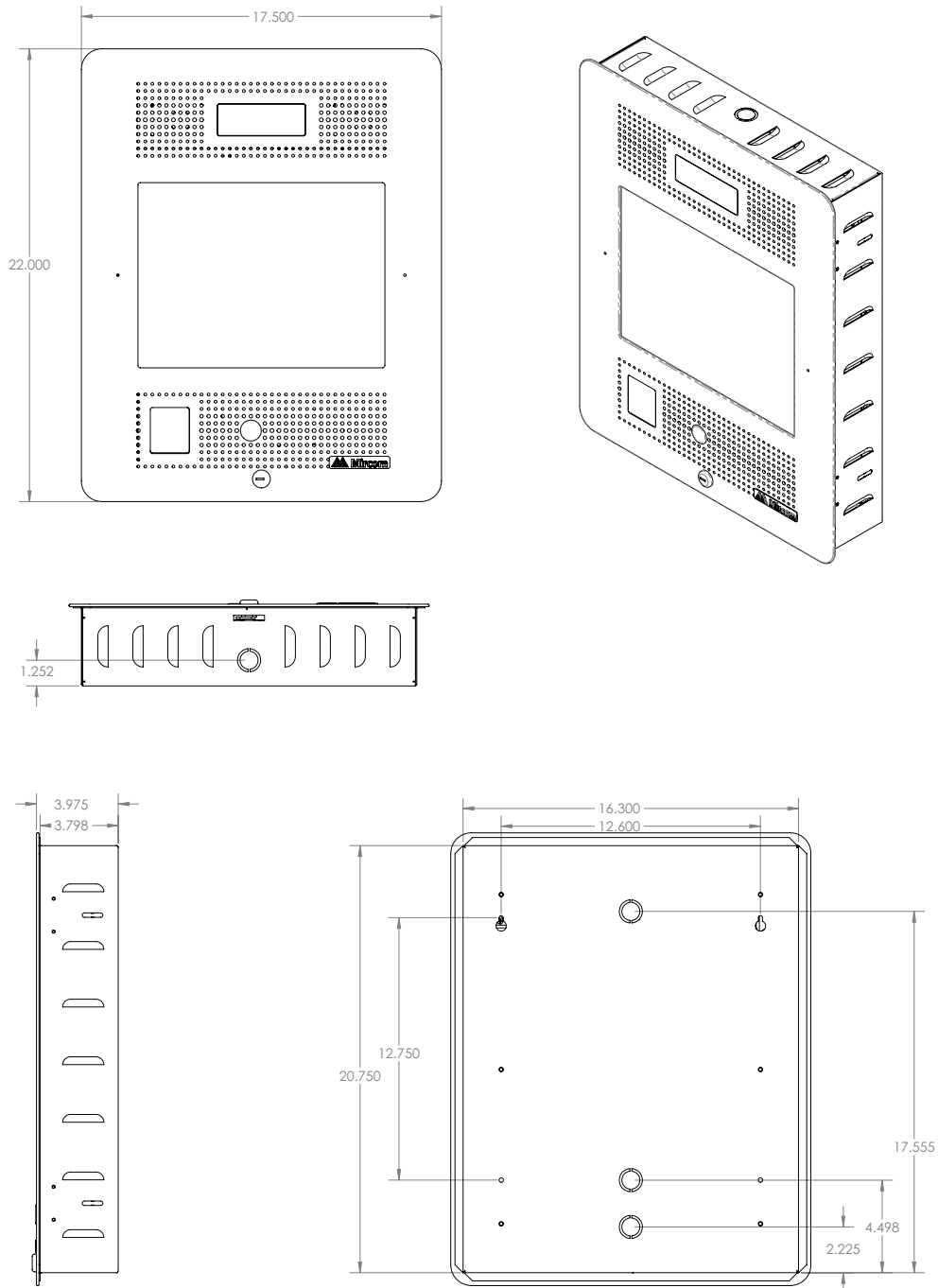
NOT TO BE USED FOR INSTALLATION PURPOSES.

Mircom reserves the right to make changes at any time without notice in prices, colours, materials, components, equipment, specifications and models and also to discontinue models.

Technical Specifications

Dimensions	20.75"H x 16.3"W x 3.8"D (backbox dimensions)
Computer	Intel Atom GENECV05
Hard Drive	Reliable Compact Flash comes standard with 8GB.
Power	24V DC/156 W – Switching Power Supply included. (RB-MD-990)
Software	Windows 7 Embedded with Microsoft SQL Server Express Database for handling a large number of resident information
Operating Temperature	0-50°C or 31°-120°F
Optional Camera	HD IP colour camera (Axis P1204 or Illustra IPS02HFANWSY1 2.6mm)
Approvals	FCC, Industry Canada

Mechanical Dimensional Diagram



Ordering Information

Model	Description
Flush Mount Touch Screen Telephone Access System	
TX3-TOUCH-F15-B	Flush Mount Touch Screen Telephone Access System. Includes: Stainless steel enclosure c/w 15" touch screen LCD display, 8 GB Flash Memory, 2000 name controller, TX3 configuration software and a 24 VDC switching power supply.
No Phone Bill (NSL) Components	
TX3-NSL-8M	Master NSL Relay Cabinet. Supports eight 2012 Telephone Line Relay Cards.
TX3-8EC	8 Relay Card Expander Cabinet
TX3-16EC	16 Relay Card Expander Cabinet
2012	Twelve Unit Telephone Relay Card
9106	6 ft. relay cable for 2012
2012K	NSL Relay Card and Cable Kit. Kit includes (1) 2012 twelve unit telephone relay card and (1) 9106 six ft. relay cable
ADSL-100	ADSL line filter module for NSL applications
Elevator Restriction Components	
TX3-ER-8-A	Elevator Restriction Relay Cabinet. Supports eight 2012E Elevator Restriction Relay Cards.
2012E	Twelve Unit Elevator Restriction Relay Card
Card Access Components	
TX3-CX-2K-A	Two Door Access Control System Kit c/w one TX3-CX Door Controller, two Proximity Readers (TX3-P300-HA), transformer, TX3-MSW Configuration software and a USB cable. Requires (1) 12V battery 5 Ah to 7 Ah.
CS-MIR-0-0	Clam Shell Proximity Card
KT-MIR-0-0	Key Tag (Fob)
TX3-P300-HA	Mini Mullion mount Proximity Reader
TX3-WRR-22	Dual Channel Wiegand Receiver
TX3-WRT-2H	Two Button transmitter with embedded 125 KHz proximity tag.
TX3-WRT-4H	Four Button transmitter with embedded 125 KHz proximity tag.
Optional Modules	
TX3-MDM	Modem Module
TX3-GPM	Guard Phone Module
TX3-MSW	USB Flash memory stick with TX3 Configuration Software
P1204	HD IP Axis Camera with DVR

NOT TO BE USED FOR INSTALLATION PURPOSES.



Canada
 25 Interchange Way
 Vaughan, Ontario L4K 5W3
 Telephone: (905) 660-4655
 Fax: (905) 660-4113

U.S.A.
 4575 Witmer Industrial Estates
 Niagara Falls, NY 14305
 Toll Free: (888) 660-4655
 Fax Toll Free: (888) 660-4113

Web page: <http://www.mircom.com> Email: mail@mircom.com

Distributed by:

ISO 9001:2008
 REGISTERED 

CAT. 6549
 Rev 0



Description

Mircom's TX3-Touch Series Telephone Access Systems are the most advanced entrance automation and security systems available on the market today.

The TX3-Touch Series surface mount unit is designed to replace old style technology voice entry panels with a prestigious modern day greeting display to visitors to multi-residential buildings such as apartments, condominiums, and office buildings.

The TX3-Touch Series allows building occupants to communicate with visitors and grant or deny entry into a complex. The TX3-Touch unit can be customized to display various layouts, videos and groups as well as promotional or site specific information. In addition the TX3-Touch Series comes with a HD web camera with provisions for a built-in HD IP camera, postal lock, card access proximity card reader and access controller.

The TX3-Touch Series surface mount unit is constructed of a heavy gauge stainless steel and is designed for indoor applications. The TX3-Touch Series user interface is built on top of the Intel Atom architecture running a reliable and proven windows based operating system to offer the most feature rich system on the market. Communication is provided via ADC, NSL or voip for telephone interconnectivity. Field proven, Mircom's TX3 is sold worldwide providing years of reliable service in buildings around the world for over 25 years.

Features

- 15" color anti-glare, industrial grade touch screen display that is viewable in direct sunlight
- Built-in TCP/IP capability for remote programming or maintenance
- Constructed of heavy gauge stainless steel to withstand years of abuse
- Built-in HD web camera and proximity card reader for easy integration to other technology platforms
 - Provision to add optional HD IP camera, postal lock and card access controller
- Multiple panels can be connected on a shared database for up to 63 nodes using RS-485 or unlimited using TCP/IP.
- Four fully configurable themes (color & font), 4 preset themes, and 4 screen layout templates
- Three built-in keyboard layouts (Full QWERTY, Full QWERTY + Num pad, or Simple)
- Standard wiegand interface for card access.
- Intuitive call interface using one call button or one-call button per resident
- Voice or video based help menu for ease of use
- Built-in e-mail resident feature. (requires email service provider.)
- Supports PSTN (POTs), No Phone Bill (NSL) and VoIP
- Elevator restriction capability
- Programming via built-in USB, TCP/IP, modem or locally using the configuration on screen application
 - Recurring revenue opportunities using the remote desktop capability for maintenance and/or the advertising module.
 - Easily load media content via built-in USB or TCP/IP interface. Supports JPG, GIF, SWF, WMV and MPEG file formats. Fully removable lightweight inner chassis for easy maintenance Industry Canada and F.C.C. approved

Applications

- Provides resident/visitor access control for buildings such as condominiums, apartment buildings, office buildings and industrial buildings
- Designed for indoor applications that require a flush mount visitor management system

CATALOG NUMBER 6550

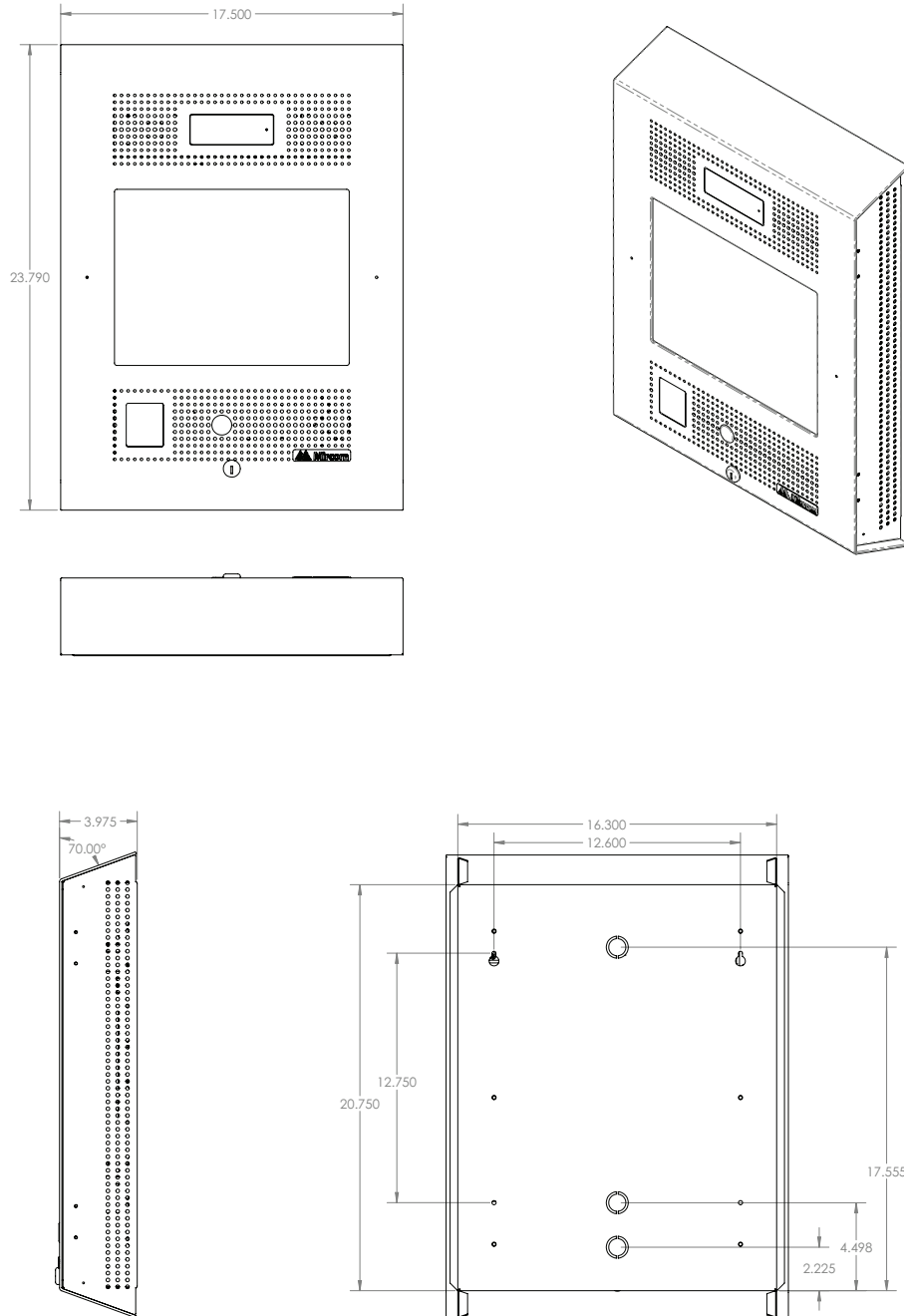
NOT TO BE USED FOR INSTALLATION PURPOSES.

Mircom reserves the right to make changes at any time without notice in prices, colours, materials, components, equipment, specifications and models and also to discontinue models.

Technical Specifications

Dimensions	23.79"H x 17.5"W x 3.925"D
Computer	Intel Atom GENECV05
Hard Drive	Reliable Compact Flash comes standard with 8GB.
Power	24V DC/156 W – Switching Power Supply included. (RB-MD-990)
Software	Windows 7 Embedded with Microsoft SQL Server Express Database for handling a large number of resident information
Operating Temperature	0-50°C or 31°-120°F
Optional Camera	HD IP colour camera (Axis P1204 or Illustra IPS02HFANWSY1 2.6mm)
Approvals	FCC, Industry Canada

Mechanical Dimensional Diagram



Ordering Information

Model	Description
Surface Mount Touch Screen Telephone Access System	
TX3-TOUCH-S15-B	Surface Mount Touch Screen Telephone Access System. Includes: Stainless steel enclosure c/w 15" touch screen LCD display, 8 GB Flash Memory, 2000 name controller, TX3 configuration software and a 24 VDC switching power supply.
No Phone Bill (NSL) Components	
TX3-NSL-8M	Master NSL Relay Cabinet. Supports eight 2012 Telephone Line Relay Cards.
TX3-8EC	8 Relay Card Expander Cabinet
TX3-16EC	16 Relay Card Expander Cabinet
2012	Twelve Unit Telephone Relay Card
9106	6 ft. relay cable for 2012
2012K	NSL Relay Card and Cable Kit. Kit includes (1) 2012 twelve unit telephone relay card and (1) 9106 six ft. relay cable
ADSL-100	ADSL line filter module for NSL applications
Elevator Restriction Components	
TX3-ER-8-A	Elevator Restriction Relay Cabinet. Supports eight 2012E Elevator Restriction Relay Cards.
2012E	Twelve Unit Elevator Restriction Relay Card
Card Access Components	
TX3-CX-2K-A	Two Door Access Control System Kit c/w one TX3-CX Door Controller, two Proximity Readers (TX3-P300-HA), transformer, TX3-MSW Configuration software and a USB cable. Requires (1) 12V battery 5 Ah to 7 Ah.
CS-MIR-0-0	Clam Shell Proximity Card
KT-MIR-0-0	Key Tag (Fob)
TX3-P300-HA	Mini Mullion mount Proximity Reader
TX3-WRR-22	Dual Channel Wiegand Receiver
TX3-WRT-2H	Two Button transmitter with embedded 125 KHz proximity tag.
TX3-WRT-4H	Four Button transmitter with embedded 125 KHz proximity tag.
Optional Modules	
TX3-MDM	Modem Module
TX3-GPM	Guard Phone Module
TX3-MSW	USB Flash memory stick with TX3 Configuration Software
P1204	HD IP Axis Camera with DVR

NOT TO BE USED FOR INSTALLATION PURPOSES.



Canada
 25 Interchange Way
 Vaughan, Ontario L4K 5W3
 Telephone: (905) 660-4655
 Fax: (905) 660-4113

U.S.A.
 4575 Witmer Industrial Estates
 Niagara Falls, NY 14305
 Toll Free: (888) 660-4655
 Fax Toll Free: (888) 660-4113

Web page: <http://www.mircom.com> Email: mail@mircom.com

Distributed by:

ISO 9001:2008
 REGISTERED 

CAT. 6550
 Rev 0

Integrated Telephone Entry Systems

SLIM LINE TELEPHONE ACCESS SYSTEMS

[TX3] Series

TELEPHONE/CARD ACCESS SYSTEMS



Description

Mircom's TX3 Slim Line Telephone Access Systems are designed to provide primary resident/visitor access control for small condominiums, apartment buildings, office buildings, gated communities and industrial buildings with up to 2000 residents or users. The slim design is ideal for applications with limited space, or for applications where a separate directory exists or is not required.

The Universal Series enclosure is constructed of a heavy gauge stainless steel and can be used in a lobby or outdoors. Surface, semi-flush or pedestal mount applications are supported. The Universal Series enclosure features a built-in rain hood, microphone, tamper resistant speaker and has provisions for a postal lock and color camera to be installed.

The TX3 Slim Line systems feature a back-lit 4 line by 20 character electronic LCD display that scrolls a programmable banner message as well as the resident names and dial codes. The system also features a 16 digit backlit telephone style keypad with dedicated operational buttons for Page Up, Page Down, Call and Info. In addition, the system features a configurable multilingual display and voice prompts with a choice of English, Spanish, or French-Canadian.

The systems are programmable via the built-in keypad or using a computer with the optional TX3 configuration software. In addition the systems can also be configured remotely using the TX3 configuration software and the TX3-MDM Modem Module.

Features

- TCP/IP capability for remote programming by adding a TX3-IP module
- Stainless steel front panel
- Universal Series slim line enclosure with built-in rain hood
- Scrolling 4 x 20 backlit LCD display that eliminates the need for an external directory
- Available in 200, 1000 and 2000 name capacities
- Backlit 16 digit keypad with dedicated operational buttons for Page Up, Page Down, Call and Info
- Provisions for postal lock and color camera
- Multi-lingual Display and Voice Greeting (English, French-Canadian and Spanish) that provides instructions on how to use entry panel
- Concierge/Security Desk/Guard Phone capability
- Supports both AutoDialer (ADC) and NSL (No phone bill)
- Ability to network panels together (peer-to-peer)
- Dials up to 18 digit telephone numbers
- System can be configured locally using the keypad or a computer with the TX3 configuration software
- Upload/download configuration files without taking the whole system offline
- Remote programming requires a computer equipped with a modem and a TX3-MDM modem module installed in the lobby unit
- Programmable daily usage postal lock
- 5000 record event log
- Industry Canada and F.C.C. approved

Applications

- Provides resident/visitor access control for small buildings such as condominiums, apartment buildings, office buildings, gated communities and industrial buildings with up to 2000 residents or users
- Slim design is ideal for applications with limited space, or for applications where a separate directory exists or is not required
- Surface, semi-flush or pedestal mounting options (Optional adapter plate required to mount to a standard gooseneck post)

CATALOG NUMBER 6557

NOT TO BE USED FOR INSTALLATION PURPOSES.

Mircom reserves the right to make changes at any time without notice in prices, colours, materials, components, equipment, specifications and models and also to discontinue models.

The TX3 Slim Line systems utilize a hands-free, full duplex telephone communications between residents and visitors for granting access into the building. The systems are configurable to support both an AutoDialer (ADC) system, which uses a dedicated phone line to dial preprogrammed numbers when the unique directory code is entered, and a No Phone Bill (NSL) system, which does not require a dedicated phone line.

The TX3 Slim Line systems come standard as an ADC system and requires only a dedicated phone line. For NSL configuration the systems requires additional hardware components such as relay cards and relay cabinets. (Please refer to the ordering information.)

Dimensions

TX3-200-4U-A / TX3-1000-4U-A / TX3-2000-4U-A
16 5/8" H x 5 7/8" W x 3" D

TX3-USFT Semi-Flush Trim Ring
16 3/4" H x 6" W x 2 3/4" D (*Dimensions are for wall cutout.*)
19 5/8" H x 8 7/8" W (*Outside dimensions for trim ring*)

Ordering Information

Model	Description
TX3-200-4U-A	Universal enclosure c/w 4x20 LCD display, 200 name controller and (1) PS-4P transformer.
TX3-1000-4U-A	Universal enclosure c/w 4x20 LCD display, 1000 name controller and (1) PS-4P transformer.
TX3-2000-4U-A	Universal enclosure c/w 4x20 LCD display, 2000 name controller and (1) PS-4P transformer.
Slim Line Mounting Accessories	
TX3-USFT	Flush mounting trim kit designed for use with the slim line Universal Series enclosures
TX3-USGA	Gooseneck mounting adapter designed for use with the slim line Universal Series enclosures
No Phone Bill (NSL) Components	
TX3-NSL-8M	Master NSL Relay Cabinet. Supports eight 2012 Telephone Line Relay Cards.
TX3-8EC	8 Relay Card Expander Cabinet
TX3-16EC	16 Relay Card Expander Cabinet
2012	Twelve Unit Telephone Relay Card
9106	6 ft. relay cable for 2012
2012K	NSL Relay Card and Cable Kit. Kit includes (1) 2012 twelve unit telephone relay card and (1) 9106 six ft. relay cable
ADSL-100	ADSL line filter module for NSL applications
Elevator Restriction Components	
TX3-ER-8-A	Elevator Restriction Relay Cabinet. Supports eight 2012E Elevator Restriction Relay Cards.
2012E	Twelve Unit Elevator Restriction Relay Card
Optional Modules	
TX3-IP	Add on TCP/IP module
TX3-MDM	Modem Module
TX3-GPM	Guard Phone Module
TX3-MSW	TX3 Configuration Software
CAM-3	Color Camera
TH-102	Heater Kit. Requires PS-24.
PS-24	24VAC Transformer

NOT TO BE USED FOR INSTALLATION PURPOSES.



Canada
25 Interchange Way
Vaughan, Ontario L4K 5W3
Telephone: (905) 660-4655
Fax: (905) 660-4113

U.S.A.
4575 Witmer Industrial Estates
Niagara Falls, NY 14305
Toll Free: (888) 660-4655
Fax Toll Free: (888) 660-4113

Web page: <http://www.mircom.com> Email: mail@mircom.com

Distributed by:

ISO 9001:2008
REGISTERED



CAT. 6557
Rev. 0

PAPER DIRECTORY TELEPHONE ACCESS SYSTEMS

[TX3] Series
TELEPHONE/CARD ACCESS SYSTEMS



TX3-120U-A
Surface Mount
Universal Enclosure



TX3-120C-A
Flush Mount
Continental Enclosure

Description

Mircom's TX3 Paper Directory Telephone Access Systems are designed to provide primary resident/visitor access control for small condominiums, apartment buildings, office buildings, gated communities and industrial buildings with up to 120 residents or users.

Available in a surface Universal enclosure (TX3-120U-A) and a flush Continental enclosure (TX3-120C-A), these units come complete with a microphone, tamper resistant speaker and have provisions for a postal lock and color camera to be installed.

The TX3-120U-A Universal Series enclosure features a built-in rain hood and is constructed of a heavy gauge stainless steel. This unit can be used in a lobby or outdoors and supports surface, semi-flush or pedestal mount applications. The TX3-120C-A Continental Series enclosure is constructed of a heavy gauge stainless steel and is primarily designed for indoor applications.

Both models feature a back-lit 4 line by 20 character scrolling LCD display that shows a banner message as well as the directory names and dial codes. In addition these systems feature a built-in illuminated paper directory allowing the visitor/user multiple methods of looking up a resident dial code. The systems also feature a 16 digit backlit telephone style keypad with dedicated operational buttons for Page Up, Page Down, Call and Info. In addition, the system features a configurable multilingual display and voice prompts with a choice of English, Spanish, or French-Canadian.

Features

- TCP/IP capability for remote programming by adding a TX3-IP module
- Stainless steel front panel
- Universal Series enclosure is equipped with a built-in rain hood
- 4 x 20 backlit LCD display
- Backlit 16 digit keypad with dedicated operational buttons for Page Up, Page Down, Call and Info
- Built-in illuminated paper directory for 120 names
- Provisions for postal lock and color camera
- Multi-lingual Display and Voice Greeting (English, French-Canadian and Spanish) that provides instructions on how to use entry panel
- Concierge/Security Desk/Guard Phone capability
- Supports both AutoDialer (ADC) and NSL (No phone bill)
- Ability to network panels together (peer-to-peer)
- Dials up to 18 digit telephone numbers
- System can be configured locally using the keypad or a computer with the TX3 configuration software
- Upload/download configuration files without taking the whole system offline
- Remote programming with the TX3 configuration software requires a computer equipped with a modem and a TX3-MDM modem module installed in the lobby unit
- Programmable daily usage postal lock
- 5000 record event log
- Industry Canada and F.C.C. approved

Applications

- Provides resident/visitor access control for small buildings such as condominiums, apartment buildings, office buildings, gated communities and industrial buildings with up to 120 residents or users
- Universal enclosure supports surface, semi-flush or pedestal mounting options (Optional adapter plate required to mount to a standard gooseneck post)

CATALOG NUMBER 6555

NOT TO BE USED FOR INSTALLATION PURPOSES.

Mircom reserves the right to make changes at any time without notice in prices, colours, materials, components, equipment, specifications and models and also to discontinue models.

These systems are programmable via the built-in keypad or using a computer with the optional TX3 configuration software. In addition the systems can also be configured remotely using the TX3 configuration software and the TX3-MDM Modem Module.

Both models utilize hands-free, full duplex telephone communications between residents and visitors for granting access into the building. The systems are configurable to support both an AutoDialer (ADC) system, which uses a dedicated phone line to dial preprogrammed numbers when the unique directory code is entered, and a No Subscriber Line (NSL) system, which does not require a dedicated phone line.

Both models come standard as an ADC system and requires only a dedicated phone line. For

NSL configuration the system requires additional hardware components such as relay cards and relay cabinets. *(Please refer to the ordering information.)*

Dimensions

TX3-120U-A

16 5/8" H x 10 1/8" W x 3" D

TX3-UFT Semi-Flush Trim Ring

16 1/4" H x 10 5/8" W x 2 3/4" D

Dimensions are for wall cutout.

TX3-120C-A

16 7/8" H x 10 3/8" W x 3" D *(Dimensions are for wall cutout.)*

18 1/2" H x 12" W x 1/2" D *(Outside frame dimensions)*

TX3-120C-A enclosure is flush mount only.

Ordering Information

Model	Description
TX3-120U-A	Surface Mount Universal enclosure c/w built-in rain hood, 4x20 LCD display, 200 name controller, 120 name illuminated paper directory and (1) PS-4P transformer.
TX3-120C-A	Flush Mount Continental Series enclosure c/w 4x20 LCD display, 200 name controller, 120 name illuminated paper directory and (1) PS-4P transformer.
Universal Enclosure Mounting Accessories	
TX3-UFT	Flush mounting trim kit designed for use with the standard Universal Series enclosures
TX3-UGA	Gooseneck mounting adapter designed for use with the standard Universal Series enclosures
NSL Components	
TX3-NSL-8M	Master NSL Relay Cabinet. Supports eight 2012 Telephone Line Relay Cards.
TX3-8EC	8 Relay Card Expander Cabinet
TX3-16EC	16 Relay Card Expander Cabinet
2012	Twelve Unit Telephone Relay Card
9106	6 ft. relay cable for 2012
2012K	NSL Relay Card and Cable Kit. Kit includes (1) 2012 twelve unit telephone relay card and (1) 9106 six ft. relay cable
ADSL-100	ADSL line filter module for NSL applications
Elevator Restriction Components	
TX3-ER-8-A	Elevator Restriction Relay Cabinet. Supports eight 2012E Elevator Restriction Relay Cards.
2012E	Twelve Unit Elevator Restriction Relay Card
Optional Modules	
TX3-IP	Add on TCP/IP module
TX3-MDM	Modem Module
TX3-GPM	Guard Phone Module
TX3-MSW	TX3 Configuration Software
CAM-3	Color Camera
TH-102	Heater Kit. Requires PS-24.
PS-24	24VAC Transformer

NOT TO BE USED FOR INSTALLATION PURPOSES.



Canada
25 Interchange Way
Vaughan, Ontario L4K 5W3
Telephone: (905) 660-4655
Fax: (905) 660-4113

U.S.A.
4575 Witmer Industrial Estates
Niagara Falls, NY 14305
Toll Free: (888) 660-4655
Fax Toll Free: (888) 660-4113

Web page: <http://www.mircom.com> Email: mail@mircom.com

Distributed by:

ISO 9001:2008
REGISTERED



CAT. 6555
Rev.0

PAPER DIRECTORY TELEPHONE ACCESS SYSTEMS

[TX3] Series
TELEPHONE/CARD ACCESS SYSTEMS



TX3-120U-A
Surface Mount
Universal Enclosure



TX3-120C-A
Flush Mount
Continental Enclosure

Description

Mircom's TX3 Paper Directory Telephone Access Systems are designed to provide primary resident/visitor access control for small condominiums, apartment buildings, office buildings, gated communities and industrial buildings with up to 120 residents or users.

Available in a surface Universal enclosure (TX3-120U-A) and a flush Continental enclosure (TX3-120C-A), these units come complete with a microphone, tamper resistant speaker and have provisions for a postal lock and color camera to be installed.

The TX3-120U-A Universal Series enclosure features a built-in rain hood and is constructed of a heavy gauge stainless steel. This unit can be used in a lobby or outdoors and supports surface, semi-flush or pedestal mount applications. The TX3-120C-A Continental Series enclosure is constructed of a heavy gauge stainless steel and is primarily designed for indoor applications.

Both models feature a back-lit 4 line by 20 character scrolling LCD display that shows a banner message as well as the directory names and dial codes. In addition these systems feature a built-in illuminated paper directory allowing the visitor/user multiple methods of looking up a resident dial code. The systems also feature a 16 digit backlit telephone style keypad with dedicated operational buttons for Page Up, Page Down, Call and Info. In addition, the system features a configurable multilingual display and voice prompts with a choice of English, Spanish, or French-Canadian.

Features

- TCP/IP capability for remote programming by adding a TX3-IP module
- Stainless steel front panel
- Universal Series enclosure is equipped with a built-in rain hood
- 4 x 20 backlit LCD display
- Backlit 16 digit keypad with dedicated operational buttons for Page Up, Page Down, Call and Info
- Built-in illuminated paper directory for 120 names
- Provisions for postal lock and color camera
- Multi-lingual Display and Voice Greeting (English, French-Canadian and Spanish) that provides instructions on how to use entry panel
- Concierge/Security Desk/Guard Phone capability
- Supports both AutoDialer (ADC) and NSL (No phone bill)
- Ability to network panels together (peer-to-peer)
- Dials up to 18 digit telephone numbers
- System can be configured locally using the keypad or a computer with the TX3 configuration software
- Upload/download configuration files without taking the whole system offline
- Remote programming with the TX3 configuration software requires a computer equipped with a modem and a TX3-MDM modem module installed in the lobby unit
- Programmable daily usage postal lock
- 5000 record event log
- Industry Canada and F.C.C. approved

Applications

- Provides resident/visitor access control for small buildings such as condominiums, apartment buildings, office buildings, gated communities and industrial buildings with up to 120 residents or users
- Universal enclosure supports surface, semi-flush or pedestal mounting options (Optional adapter plate required to mount to a standard gooseneck post)

CATALOG NUMBER 6555

NOT TO BE USED FOR INSTALLATION PURPOSES.

Mircom reserves the right to make changes at any time without notice in prices, colours, materials, components, equipment, specifications and models and also to discontinue models.

These systems are programmable via the built-in keypad or using a computer with the optional TX3 configuration software. In addition the systems can also be configured remotely using the TX3 configuration software and the TX3-MDM Modem Module.

Both models utilize hands-free, full duplex telephone communications between residents and visitors for granting access into the building. The systems are configurable to support both an AutoDialer (ADC) system, which uses a dedicated phone line to dial preprogrammed numbers when the unique directory code is entered, and a No Subscriber Line (NSL) system, which does not require a dedicated phone line.

Both models come standard as an ADC system and requires only a dedicated phone line. For

NSL configuration the system requires additional hardware components such as relay cards and relay cabinets. *(Please refer to the ordering information.)*

Dimensions

TX3-120U-A

16 5/8" H x 10 1/8" W x 3" D

TX3-UFT Semi-Flush Trim Ring

16 1/4" H x 10 5/8" W x 2 3/4" D

Dimensions are for wall cutout.

TX3-120C-A

16 7/8" H x 10 3/8" W x 3" D *(Dimensions are for wall cutout.)*

18 1/2" H x 12" W x 1/2" D *(Outside frame dimensions)*

TX3-120C-A enclosure is flush mount only.

Ordering Information

Model	Description
TX3-120U-A	Surface Mount Universal enclosure c/w built-in rain hood, 4x20 LCD display, 200 name controller, 120 name illuminated paper directory and (1) PS-4P transformer.
TX3-120C-A	Flush Mount Continental Series enclosure c/w 4x20 LCD display, 200 name controller, 120 name illuminated paper directory and (1) PS-4P transformer.
Universal Enclosure Mounting Accessories	
TX3-UFT	Flush mounting trim kit designed for use with the standard Universal Series enclosures
TX3-UGA	Gooseneck mounting adapter designed for use with the standard Universal Series enclosures
NSL Components	
TX3-NSL-8M	Master NSL Relay Cabinet. Supports eight 2012 Telephone Line Relay Cards.
TX3-8EC	8 Relay Card Expander Cabinet
TX3-16EC	16 Relay Card Expander Cabinet
2012	Twelve Unit Telephone Relay Card
9106	6 ft. relay cable for 2012
2012K	NSL Relay Card and Cable Kit. Kit includes (1) 2012 twelve unit telephone relay card and (1) 9106 six ft. relay cable
ADSL-100	ADSL line filter module for NSL applications
Elevator Restriction Components	
TX3-ER-8-A	Elevator Restriction Relay Cabinet. Supports eight 2012E Elevator Restriction Relay Cards.
2012E	Twelve Unit Elevator Restriction Relay Card
Optional Modules	
TX3-IP	Add on TCP/IP module
TX3-MDM	Modem Module
TX3-GPM	Guard Phone Module
TX3-MSW	TX3 Configuration Software
CAM-3	Color Camera
TH-102	Heater Kit. Requires PS-24.
PS-24	24VAC Transformer

NOT TO BE USED FOR INSTALLATION PURPOSES.



Canada
25 Interchange Way
Vaughan, Ontario L4K 5W3
Telephone: (905) 660-4655
Fax: (905) 660-4113

U.S.A.
4575 Witmer Industrial Estates
Niagara Falls, NY 14305
Toll Free: (888) 660-4655
Fax Toll Free: (888) 660-4113

Web page: <http://www.mircom.com> Email: mail@mircom.com

Distributed by:

ISO 9001:2008
REGISTERED



CAT. 6555
Rev.0

ELECTRONIC DIRECTORY TELEPHONE ACCESS SYSTEMS

[TX3] Series

TELEPHONE/CARD ACCESS SYSTEMS



Surface Mount
Universal Enclosure



Flush Mount
Continental Enclosure

Description

Mircom's TX3 Electronic Directory Telephone Access Systems are designed to provide primary resident/visitor access control for condominiums, apartment buildings, office buildings, gated communities and industrial buildings with up to 2000 residents or users.

Available in a surface Universal enclosure and a flush Continental enclosure, these units come complete with a microphone, tamper resistant speaker and have provisions for a postal lock and color camera to be installed.

The Universal Series enclosure features a built-in rain hood and is constructed of a heavy gauge stainless steel. This unit can be used in a lobby or outdoors and supports surface, semi-flush or pedestal mount applications. The Continental Series enclosure is constructed of a heavy gauge stainless steel and is primarily designed for indoor applications.

These TX3 systems feature a large back-lit 8 line by 20 character electronics LCD display that scrolls a banner message as well as the resident names and dial codes. The enclosures also feature a 16 digit backlit telephone style keypad with dedicated operational buttons for Page Up, Page Down, Call and Info. In addition, the system features a configurable multilingual display and voice prompts with a choice of English, Spanish, or French-Canadian.

These systems are programmable via the built-in keypad or using a computer with the optional TX3 configuration software. In addition the systems can also be configured remotely using the TX3 configuration software and the TX3-MDM Modem Module.

Features

- TCP/IP capability for remote programming by adding a TX3-IP module
- Stainless steel front panel
- Universal Series enclosure is equipped with a built-in rain hood
- Large scrolling 8 x 20 LCD display that eliminates the need for an external directory
- Available in 200, 1000 and 2000 name capacities
- Backlit 16 digit keypad with dedicated operational buttons for Page Up, Page Down, Call and Info
- Provisions for postal lock and camera
- Multilingual Display and Voice Greeting (English, French-Canadian and Spanish) that provides instructions on how to use the entry panel
- Concierge/Security Desk/Guard Phone capability
- Supports both AutoDialer (ADC) and NSL (No phone bill)
- Ability to network panels together (peer-to-peer)
- Hands free, full duplex communication
- Flexible one to four digit resident codes
- Dials up to 18 digit telephone numbers
- System can be configured locally using the keypad or a computer with the TX3 configuration software
- Upload/download configuration files without taking the whole system offline
- Remote programming with the TX3 configuration software requires a computer equipped with a modem and a TX3-MDM modem module installed in the lobby unit
- Programmable daily usage postal lock
- 5000 record event log
- Elevator restriction capability
- Industry Canada and F.C.C. approved

Applications

- Provides resident/visitor access control for small buildings such as condominiums, apartment buildings, office buildings, gated communities and industrial buildings
- Designed for applications with up to 2000 residents or users
- Universal enclosure supports surface, semi-flush or pedestal mounting options (Optional adapter plate required to mount to a standard gooseneck post)

CATALOG NUMBER **6558**

NOT TO BE USED FOR INSTALLATION PURPOSES.

Mircom reserves the right to make changes at any time without notice in prices, colours, materials, components, equipment, specifications and models and also to discontinue models.

The TX3 system utilizes hands-free, full duplex telephone communications between residents and visitors for granting access into the building. The system is configurable to support both an AutoDialer (ADC) system, which uses a dedicated phone line to dial preprogrammed numbers when the unique directory code is entered, and a No Phone Bill (NSL) system, which does not require a dedicated phone line.

The TX3 system comes standard as an ADC system and requires only a dedicated phone line. For NSL configuration the system requires additional hardware

components such as relay cards and relay cabinets. *(Please refer to the ordering information.)*

Dimensions

TX3-200-8U-A / TX3-1000-8U-A / TX3-2000-8U-A

16 5/8" H x 10 1/8" W x 3" D

TX3-UFT Trim Ring

16 1/4" H x 10 5/8" W x 2 3/4" D *(Dimensions are for wall cutout.)*

TX3-200-8C-A / TX-1000-8C-A / TX3-2000-8C-A

16 7/8" H x 10 3/8" W x 3" D *(Dimensions are for wall cutout.)*

18 1/2" H x 12" W x 1/2" D *(Outside frame dimensions)*

Continental Enclosures are flush mount only.

Ordering Information

Model	Description
Surface Universal Series Enclosures (with built-in rain hood)	
TX3-200-8U-A	Universal Series enclosure c/w 8x20 LCD display, 200 name controller and (1) plug-in transformer
TX3-1000-8U-A	Universal Series enclosure c/w 8x20 LCD display, 1000 name controller and (1) plug-in transformer
TX3-2000-8U-A	Universal Series enclosure c/w 8x20 LCD display, 2000 name controller and (1) plug-in transformer
Flush Continental Series Enclosures	
TX3-200-8C-A	Continental Series enclosure c/w 8x20 LCD display, 200 name controller and (1) plug-in transformer
TX3-1000-8C-A	Continental Series enclosure c/w 8x20 LCD display, 1000 name controller and (1) plug-in transformer
TX3-2000-8C-A	Continental Series enclosure c/w 8x20 LCD display, 2000 name controller and (1) plug-in transformer
Universal Series Mounting Accessories	
TX3-UFT	Flush mounting trim kit designed for use with the standard Universal Series enclosures
TX3-UGA	Gooseneck mounting adapter designed for use with the standard Universal Series enclosures
No Phone Bill (NSL) Components	
TX3-NSL-8M	Master NSL Relay Cabinet. Supports eight 2012 Telephone Line Relay Cards.
TX3-8EC	8 Relay Card Expander Cabinet
TX3-16EC	16 Relay Card Expander Cabinet
2012	Twelve Unit Telephone Relay Card
9106	6 ft. relay cable for 2012
2012K	NSL Relay Card and Cable Kit. Kit includes (1) 2012 twelve unit telephone relay card and (1) 9106 six ft. relay cable
ADSL-100	ADSL line filter module for NSL applications
Elevator Restriction Components	
TX3-ER-8-A	Elevator Restriction Relay Cabinet. Supports eight 2012E Elevator Restriction Relay Cards.
2012E	Twelve Unit Elevator Restriction Relay Card
Optional Modules	
TX3-IP	Add on TCP/IP module
CAM-3	Color camera with BNC adaptor cable
PS-24	24VAC Transformer
TH-102	Heater Kit. Requires PS-24
TX3-DATA-MDM	Modem USB 2.0 Stick, one required per PC
TX3-GPM	Guard Phone Module
TX3-MDM	Modem Module
TX3-MSW	TX3 Configuration Software
TX3-USB-AD	USB to RS485 Adaptor kit includes MD-993 module

NOT TO BE USED FOR INSTALLATION PURPOSES.



Canada
25 Interchange Way
Vaughan, Ontario L4K 5W3
Telephone: (905) 660-4655
Fax: (905) 660-4113

U.S.A.
4575 Witmer Industrial Estates
Niagara Falls, NY 14305
Toll Free: (888) 660-4655
Fax Toll Free: (888) 660-4113

Web page: <http://www.mircomgroup.com> Email: mail@mircomgroup.com

Distributed by:

ISO 9001:2008
REGISTERED



CAT. 6558
Rev. 1

**[TX3] Series**

TELEPHONE/CARD ACCESS SYSTEMS

Features

- TCP/IP capability for remote programming by adding a TX3-IP module
- Stainless steel construction
- Large scrolling 8 x 20 LCD display that eliminates the need for an external directory
- Available in 200, 1000 and 2000 name capacities
- Backlit 16 digit keypad with dedicated operational buttons for Page Up, Page Down, Call and Info
- Provisions for postal lock and camera
- Multi-lingual Display and Voice Greeting (English, French-Canadian and Spanish) that provides instructions on how to use the entry panel
- Concierge/Security Desk/Guard Phone capability
- Supports both AutoDialer (ADC) and NSL (No phone bill)
- Ability to network panels together (peer-to-peer)
- Hands free, full duplex communication
- Flexible one to four digit resident codes
- Dials up to 18 digit telephone numbers
- System can be configured locally using the keypad or a computer with the TX3 configuration software
- Upload/download configuration files without taking the whole system offline
- Remote programming with the TX3 configuration software requires a computer equipped with a modem and a TX3-MDM modem module installed in the lobby unit
- Programmable daily usage postal lock
- 5000 record event log
- Elevator restriction capability
- Industry Canada and F.C.C. approved

Applications

- Provides resident/visitor access control for small buildings such as condominiums, apartment buildings, office buildings, gated communities and industrial buildings
- Designed primarily for indoor applications with up to 2000 residents or users

Description

Mircom's TX3 Handset Electronic Directory Telephone Access Systems are designed to provide primary resident/visitor access control for condominiums, apartment buildings, office buildings, gated communities and industrial buildings with up to 2000 residents or users.

The Continental Series enclosure is constructed of a heavy gauge stainless steel and is primarily designed for indoor applications. The Continental Series enclosures feature a handset, microphone, tamper resistant speaker and have provisions for a postal lock and camera to be installed.

These TX3 systems feature a large back-lit 8 line by 20 character electronics LCD display that scrolls a banner message as well as the resident names and dial codes. The enclosures also features a 16 digit backlit telephone style keypad with dedicated operational buttons for Page Up, Page Down, Call and Info. In addition, the system features a configurable multilingual display and voice prompts with a choice of English, Spanish, or French-Canadian.

These systems are programmable via the built-in keypad or using a computer with the optional TX3 configuration software. In addition these systems can also be configured remotely using the TX3 configuration software and the TX3-MDM Modem Module.

CATALOG NUMBER 6554

NOT TO BE USED FOR INSTALLATION PURPOSES.

Mircom reserves the right to make changes at any time without notice in prices, colours, materials, components, equipment, specifications and models and also to discontinue models.

The TX3 system utilizes hands-free, full duplex telephone communications between residents and visitors for granting access into the building. The system is configurable to support both an AutoDialer (ADC) system, which uses a dedicated phone line to dial preprogrammed numbers when the unique directory code is entered, and a No Phone Bill (NSL) system, which does not require a dedicated phone line.

The TX3 system comes standard as an ADC system and requires only a dedicated phone line. For NSL configuration the system requires additional hardware components such as relay cards and relay cabinets. (Please refer to the ordering information.)

Dimensions

TX3-200-8CH-A / TX-1000-8CH-A /

TX3-2000-8CH-A

16 7/8"H x 10 3/8"W x 3"D (*Dimensions are for wall cutout.*)

18 1/2"H x 12"W x 1/2"D (*Outside frame dimensions*)

Enclosures are flush mount only.

Ordering Information

Model	Description
Continental Series Handset models	
TX3-200-8CH-A	Continental Series enclosure c/w 8x20 LCD display, handset, 200 name controller and (1) PS-4P transformer
TX3-1000-8CH-A	Continental Series enclosure c/w 8x20 LCD display, handset, 1000 name controller and (1) PS-4P transformer
TX3-2000-8CH-A	Continental Series enclosure c/w 8x20 LCD display, handset, 2000 name controller and (1) PS-4P transformer
No Phone Bill (NSL) Components	
TX3-NSL-8M	Master NSL Relay Cabinet. Supports eight 2012 Telephone Line Relay Cards.
TX3-8EC	8 Relay Card Expander Cabinet
TX3-16EC	16 Relay Card Expander Cabinet
2012	Twelve Unit Telephone Relay Card
9106	6 ft. relay cable for 2012
2012K	NSL Relay Card and Cable Kit. Kit includes (1) 2012 twelve unit telephone relay card and (1) 9106 six ft. relay cable
ADSL-100	ADSL line filter module for NSL applications
Elevator Restriction Components	
TX3-ER-8-A	Elevator Restriction Relay Cabinet. Supports eight 2012E Elevator Restriction Relay Cards.
2012E	Twelve Unit Elevator Restriction Relay Card
Optional Modules	
TX3-IP	Add on TCP/IP module
TX3-MDM	Modem Module
TX3-GPM	Guard Phone Module
TX3-MSW	TX3 Configuration Software
CAM-3	Color Camera
TH-102	Heater Kit. Requires PS-24
PS-24	24VAC Transformer

NOT TO BE USED FOR INSTALLATION PURPOSES.



Canada

25 Interchange Way
Vaughan, Ontario L4K 5W3
Telephone: (905) 660-4655
Fax: (905) 660-4113

U.S.A.

4575 Witmer Industrial Estates
Niagara Falls, NY 14305
Toll Free: (888) 660-4655
Fax Toll Free: (888) 660-4113

Web page: <http://www.mircom.com>

Email: mail@mircom.com

Distributed by:

ISO 9001:2008
REGISTERED



CAT. 6554
Rev. 0


[TX3] Series

TELEPHONE/CARD ACCESS SYSTEMS

Features

- TCP/IP capability for remote programming by adding a TX3-IP module
- Stainless steel construction
- Large scrolling 8 x 20 LCD display that eliminates the need for an external directory
- Available in 200, 1000 and 2000 name capacities
- Backlit 16 digit keypad with dedicated operational buttons for Page Up, Page Down, Call and Info
- Provisions for postal lock and camera
- Multi-lingual Display and Voice Greeting (English, French-Canadian and Spanish) that provides instructions on how to use the entry panel
- Concierge/Security Desk/Guard Phone capability
- Supports both AutoDialer (ADC) and NSL (No phone bill)
- Ability to network panels together (peer-to-peer)
- Hands free, full duplex communication
- Flexible one to four digit resident codes
- Dials up to 18 digit telephone numbers
- System can be configured locally using the keypad or a computer with the TX3 configuration software
- Upload/download configuration files without taking the whole system offline
- Remote programming with the TX3 configuration software requires a computer equipped with a modem and a TX3-MDM modem module installed in the lobby unit
- Programmable daily usage postal lock
- 5000 record event log
- Elevator restriction capability
- Industry Canada and F.C.C. approved

Applications

- Provides resident/visitor access control for small buildings such as condominiums, apartment buildings, office buildings, gated communities and industrial buildings
- Designed primarily for indoor applications with up to 2000 residents or users

Description

Mircom's TX3 Handset Electronic Directory Telephone Access Systems are designed to provide primary resident/visitor access control for condominiums, apartment buildings, office buildings, gated communities and industrial buildings with up to 2000 residents or users.

The Continental Series enclosure is constructed of a heavy gauge stainless steel and is primarily designed for indoor applications. The Continental Series enclosures feature a handset, microphone, tamper resistant speaker and have provisions for a postal lock and camera to be installed.

These TX3 systems feature a large back-lit 8 line by 20 character electronics LCD display that scrolls a banner message as well as the resident names and dial codes. The enclosures also features a 16 digit backlit telephone style keypad with dedicated operational buttons for Page Up, Page Down, Call and Info. In addition, the system features a configurable multilingual display and voice prompts with a choice of English, Spanish, or French-Canadian.

These systems are programmable via the built-in keypad or using a computer with the optional TX3 configuration software. In addition these systems can also be configured remotely using the TX3 configuration software and the TX3-MDM Modem Module.

CATALOG NUMBER 6554

NOT TO BE USED FOR INSTALLATION PURPOSES.

Mircom reserves the right to make changes at any time without notice in prices, colours, materials, components, equipment, specifications and models and also to discontinue models.

The TX3 system utilizes hands-free, full duplex telephone communications between residents and visitors for granting access into the building. The system is configurable to support both an AutoDialer (ADC) system, which uses a dedicated phone line to dial preprogrammed numbers when the unique directory code is entered, and a No Phone Bill (NSL) system, which does not require a dedicated phone line.

The TX3 system comes standard as an ADC system and requires only a dedicated phone line. For NSL configuration the system requires additional hardware components such as relay cards and relay cabinets. (Please refer to the ordering information.)

Dimensions

TX3-200-8CH-A / TX-1000-8CH-A /

TX3-2000-8CH-A

16 7/8"H x 10 3/8"W x 3"D (*Dimensions are for wall cutout.*)

18 1/2"H x 12"W x 1/2"D (*Outside frame dimensions*)

Enclosures are flush mount only.

Ordering Information

Model	Description
Continental Series Handset models	
TX3-200-8CH-A	Continental Series enclosure c/w 8x20 LCD display, handset, 200 name controller and (1) PS-4P transformer
TX3-1000-8CH-A	Continental Series enclosure c/w 8x20 LCD display, handset, 1000 name controller and (1) PS-4P transformer
TX3-2000-8CH-A	Continental Series enclosure c/w 8x20 LCD display, handset, 2000 name controller and (1) PS-4P transformer
No Phone Bill (NSL) Components	
TX3-NSL-8M	Master NSL Relay Cabinet. Supports eight 2012 Telephone Line Relay Cards.
TX3-8EC	8 Relay Card Expander Cabinet
TX3-16EC	16 Relay Card Expander Cabinet
2012	Twelve Unit Telephone Relay Card
9106	6 ft. relay cable for 2012
2012K	NSL Relay Card and Cable Kit. Kit includes (1) 2012 twelve unit telephone relay card and (1) 9106 six ft. relay cable
ADSL-100	ADSL line filter module for NSL applications
Elevator Restriction Components	
TX3-ER-8-A	Elevator Restriction Relay Cabinet. Supports eight 2012E Elevator Restriction Relay Cards.
2012E	Twelve Unit Elevator Restriction Relay Card
Optional Modules	
TX3-IP	Add on TCP/IP module
TX3-MDM	Modem Module
TX3-GPM	Guard Phone Module
TX3-MSW	TX3 Configuration Software
CAM-3	Color Camera
TH-102	Heater Kit. Requires PS-24
PS-24	24VAC Transformer

NOT TO BE USED FOR INSTALLATION PURPOSES.



Canada

25 Interchange Way
Vaughan, Ontario L4K 5W3
Telephone: (905) 660-4655
Fax: (905) 660-4113

U.S.A.

4575 Witmer Industrial Estates
Niagara Falls, NY 14305
Toll Free: (888) 660-4655
Fax Toll Free: (888) 660-4113

Web page: <http://www.mircom.com>

Email: mail@mircom.com

Distributed by:

ISO 9001:2008
REGISTERED



CAT. 6554
Rev. 0

ELECTRONIC DIRECTORY TELEPHONE ACCESS SYSTEMS

[TX3] Series

TELEPHONE/CARD ACCESS SYSTEMS



Surface Mount
Universal Enclosure



Flush Mount
Continental Enclosure

Description

Mircom's TX3 Electronic Directory Telephone Access Systems are designed to provide primary resident/visitor access control for condominiums, apartment buildings, office buildings, gated communities and industrial buildings with up to 2000 residents or users.

Available in a surface Universal enclosure and a flush Continental enclosure, these units come complete with a microphone, tamper resistant speaker and have provisions for a postal lock and color camera to be installed.

The Universal Series enclosure features a built-in rain hood and is constructed of a heavy gauge stainless steel. This unit can be used in a lobby or outdoors and supports surface, semi-flush or pedestal mount applications. The Continental Series enclosure is constructed of a heavy gauge stainless steel and is primarily designed for indoor applications.

These TX3 systems feature a large back-lit 8 line by 20 character electronics LCD display that scrolls a banner message as well as the resident names and dial codes. The enclosures also feature a 16 digit backlit telephone style keypad with dedicated operational buttons for Page Up, Page Down, Call and Info. In addition, the system features a configurable multilingual display and voice prompts with a choice of English, Spanish, or French-Canadian.

These systems are programmable via the built-in keypad or using a computer with the optional TX3 configuration software. In addition the systems can also be configured remotely using the TX3 configuration software and the TX3-MDM Modem Module.

Features

- TCP/IP capability for remote programming by adding a TX3-IP module
- Stainless steel front panel
- Universal Series enclosure is equipped with a built-in rain hood
- Large scrolling 8 x 20 LCD display that eliminates the need for an external directory
- Available in 200, 1000 and 2000 name capacities
- Backlit 16 digit keypad with dedicated operational buttons for Page Up, Page Down, Call and Info
- Provisions for postal lock and camera
- Multilingual Display and Voice Greeting (English, French-Canadian and Spanish) that provides instructions on how to use the entry panel
- Concierge/Security Desk/Guard Phone capability
- Supports both AutoDialer (ADC) and NSL (No phone bill)
- Ability to network panels together (peer-to-peer)
- Hands free, full duplex communication
- Flexible one to four digit resident codes
- Dials up to 18 digit telephone numbers
- System can be configured locally using the keypad or a computer with the TX3 configuration software
- Upload/download configuration files without taking the whole system offline
- Remote programming with the TX3 configuration software requires a computer equipped with a modem and a TX3-MDM modem module installed in the lobby unit
- Programmable daily usage postal lock
- 5000 record event log
- Elevator restriction capability
- Industry Canada and F.C.C. approved

Applications

- Provides resident/visitor access control for small buildings such as condominiums, apartment buildings, office buildings, gated communities and industrial buildings
- Designed for applications with up to 2000 residents or users
- Universal enclosure supports surface, semi-flush or pedestal mounting options (Optional adapter plate required to mount to a standard gooseneck post)

CATALOG NUMBER **6558**

NOT TO BE USED FOR INSTALLATION PURPOSES.

Mircom reserves the right to make changes at any time without notice in prices, colours, materials, components, equipment, specifications and models and also to discontinue models.

The TX3 system utilizes hands-free, full duplex telephone communications between residents and visitors for granting access into the building. The system is configurable to support both an AutoDialer (ADC) system, which uses a dedicated phone line to dial preprogrammed numbers when the unique directory code is entered, and a No Phone Bill (NSL) system, which does not require a dedicated phone line.

The TX3 system comes standard as an ADC system and requires only a dedicated phone line. For NSL configuration the system requires additional hardware

components such as relay cards and relay cabinets. *(Please refer to the ordering information.)*

Dimensions

TX3-200-8U-A / TX3-1000-8U-A / TX3-2000-8U-A

16 5/8" H x 10 1/8" W x 3" D

TX3-UFT Trim Ring

16 1/4" H x 10 5/8" W x 2 3/4" D *(Dimensions are for wall cutout.)*

TX3-200-8C-A / TX-1000-8C-A / TX3-2000-8C-A

16 7/8" H x 10 3/8" W x 3" D *(Dimensions are for wall cutout.)*

18 1/2" H x 12" W x 1/2" D *(Outside frame dimensions)*

Continental Enclosures are flush mount only.

Ordering Information

Model	Description
Surface Universal Series Enclosures (with built-in rain hood)	
TX3-200-8U-A	Universal Series enclosure c/w 8x20 LCD display, 200 name controller and (1) plug-in transformer
TX3-1000-8U-A	Universal Series enclosure c/w 8x20 LCD display, 1000 name controller and (1) plug-in transformer
TX3-2000-8U-A	Universal Series enclosure c/w 8x20 LCD display, 2000 name controller and (1) plug-in transformer
Flush Continental Series Enclosures	
TX3-200-8C-A	Continental Series enclosure c/w 8x20 LCD display, 200 name controller and (1) plug-in transformer
TX3-1000-8C-A	Continental Series enclosure c/w 8x20 LCD display, 1000 name controller and (1) plug-in transformer
TX3-2000-8C-A	Continental Series enclosure c/w 8x20 LCD display, 2000 name controller and (1) plug-in transformer
Universal Series Mounting Accessories	
TX3-UFT	Flush mounting trim kit designed for use with the standard Universal Series enclosures
TX3-UGA	Gooseneck mounting adapter designed for use with the standard Universal Series enclosures
No Phone Bill (NSL) Components	
TX3-NSL-8M	Master NSL Relay Cabinet. Supports eight 2012 Telephone Line Relay Cards.
TX3-8EC	8 Relay Card Expander Cabinet
TX3-16EC	16 Relay Card Expander Cabinet
2012	Twelve Unit Telephone Relay Card
9106	6 ft. relay cable for 2012
2012K	NSL Relay Card and Cable Kit. Kit includes (1) 2012 twelve unit telephone relay card and (1) 9106 six ft. relay cable
ADSL-100	ADSL line filter module for NSL applications
Elevator Restriction Components	
TX3-ER-8-A	Elevator Restriction Relay Cabinet. Supports eight 2012E Elevator Restriction Relay Cards.
2012E	Twelve Unit Elevator Restriction Relay Card
Optional Modules	
TX3-IP	Add on TCP/IP module
CAM-3	Color camera with BNC adaptor cable
PS-24	24VAC Transformer
TH-102	Heater Kit. Requires PS-24
TX3-DATA-MDM	Modem USB 2.0 Stick, one required per PC
TX3-GPM	Guard Phone Module
TX3-MDM	Modem Module
TX3-MSW	TX3 Configuration Software
TX3-USB-AD	USB to RS485 Adaptor kit includes MD-993 module

NOT TO BE USED FOR INSTALLATION PURPOSES.



Canada
25 Interchange Way
Vaughan, Ontario L4K 5W3
Telephone: (905) 660-4655
Fax: (905) 660-4113

U.S.A.
4575 Witmer Industrial Estates
Niagara Falls, NY 14305
Toll Free: (888) 660-4655
Fax Toll Free: (888) 660-4113

Web page: <http://www.mircomgroup.com> Email: mail@mircomgroup.com

Distributed by:

ISO 9001:2008
REGISTERED



CAT. 6558
Rev. 1


[TX3] Series

TELEPHONE/CARD ACCESS SYSTEMS

Features

- TCP/IP capability for remote programming by adding a TX3-IP module
- Stainless steel construction
- Large scrolling 8 x 20 LCD display that eliminates the need for an external directory
- Available in 200, 1000 and 2000 name capacities
- Backlit 16 digit keypad with dedicated operational buttons for Page Up, Page Down, Call and Info
- Provisions for postal lock and camera
- Multi-lingual Display and Voice Greeting (English, French-Canadian and Spanish) that provides instructions on how to use the entry panel
- Concierge/Security Desk/Guard Phone capability
- Supports both AutoDialer (ADC) and NSL (No phone bill)
- Ability to network panels together (peer-to-peer)
- Hands free, full duplex communication
- Flexible one to four digit resident codes
- Dials up to 18 digit telephone numbers
- System can be configured locally using the keypad or a computer with the TX3 configuration software
- Upload/download configuration files without taking the whole system offline
- Remote programming with the TX3 configuration software requires a computer equipped with a modem and a TX3-MDM modem module installed in the lobby unit
- Programmable daily usage postal lock
- 5000 record event log
- Elevator restriction capability
- Industry Canada and F.C.C. approved

Applications

- Provides resident/visitor access control for small buildings such as condominiums, apartment buildings, office buildings, gated communities and industrial buildings
- Designed primarily for indoor applications with up to 2000 residents or users

Description

Mircom's TX3 Handset Electronic Directory Telephone Access Systems are designed to provide primary resident/visitor access control for condominiums, apartment buildings, office buildings, gated communities and industrial buildings with up to 2000 residents or users.

The Continental Series enclosure is constructed of a heavy gauge stainless steel and is primarily designed for indoor applications. The Continental Series enclosures feature a handset, microphone, tamper resistant speaker and have provisions for a postal lock and camera to be installed.

These TX3 systems feature a large back-lit 8 line by 20 character electronics LCD display that scrolls a banner message as well as the resident names and dial codes. The enclosures also features a 16 digit backlit telephone style keypad with dedicated operational buttons for Page Up, Page Down, Call and Info. In addition, the system features a configurable multilingual display and voice prompts with a choice of English, Spanish, or French-Canadian.

These systems are programmable via the built-in keypad or using a computer with the optional TX3 configuration software. In addition these systems can also be configured remotely using the TX3 configuration software and the TX3-MDM Modem Module.

CATALOG NUMBER 6554

NOT TO BE USED FOR INSTALLATION PURPOSES.

Mircom reserves the right to make changes at any time without notice in prices, colours, materials, components, equipment, specifications and models and also to discontinue models.

The TX3 system utilizes hands-free, full duplex telephone communications between residents and visitors for granting access into the building. The system is configurable to support both an AutoDialer (ADC) system, which uses a dedicated phone line to dial preprogrammed numbers when the unique directory code is entered, and a No Phone Bill (NSL) system, which does not require a dedicated phone line.

The TX3 system comes standard as an ADC system and requires only a dedicated phone line. For NSL configuration the system requires additional hardware components such as relay cards and relay cabinets. (Please refer to the ordering information.)

Dimensions

TX3-200-8CH-A / TX-1000-8CH-A /

TX3-2000-8CH-A

16 7/8"H x 10 3/8"W x 3"D (*Dimensions are for wall cutout.*)

18 1/2"H x 12"W x 1/2"D (*Outside frame dimensions*)

Enclosures are flush mount only.

Ordering Information

Model	Description
Continental Series Handset models	
TX3-200-8CH-A	Continental Series enclosure c/w 8x20 LCD display, handset, 200 name controller and (1) PS-4P transformer
TX3-1000-8CH-A	Continental Series enclosure c/w 8x20 LCD display, handset, 1000 name controller and (1) PS-4P transformer
TX3-2000-8CH-A	Continental Series enclosure c/w 8x20 LCD display, handset, 2000 name controller and (1) PS-4P transformer
No Phone Bill (NSL) Components	
TX3-NSL-8M	Master NSL Relay Cabinet. Supports eight 2012 Telephone Line Relay Cards.
TX3-8EC	8 Relay Card Expander Cabinet
TX3-16EC	16 Relay Card Expander Cabinet
2012	Twelve Unit Telephone Relay Card
9106	6 ft. relay cable for 2012
2012K	NSL Relay Card and Cable Kit. Kit includes (1) 2012 twelve unit telephone relay card and (1) 9106 six ft. relay cable
ADSL-100	ADSL line filter module for NSL applications
Elevator Restriction Components	
TX3-ER-8-A	Elevator Restriction Relay Cabinet. Supports eight 2012E Elevator Restriction Relay Cards.
2012E	Twelve Unit Elevator Restriction Relay Card
Optional Modules	
TX3-IP	Add on TCP/IP module
TX3-MDM	Modem Module
TX3-GPM	Guard Phone Module
TX3-MSW	TX3 Configuration Software
CAM-3	Color Camera
TH-102	Heater Kit. Requires PS-24
PS-24	24VAC Transformer

NOT TO BE USED FOR INSTALLATION PURPOSES.



Canada

25 Interchange Way
Vaughan, Ontario L4K 5W3
Telephone: (905) 660-4655
Fax: (905) 660-4113

U.S.A.

4575 Witmer Industrial Estates
Niagara Falls, NY 14305
Toll Free: (888) 660-4655
Fax Toll Free: (888) 660-4113

Web page: <http://www.mircom.com>

Email: mail@mircom.com

Distributed by:

ISO 9001:2008
REGISTERED



CAT. 6554
Rev. 0


[TX3] Series

TELEPHONE/CARD ACCESS SYSTEMS

Features

- TCP/IP capability for remote programming by adding a TX3-IP module
- Stainless steel construction
- Large scrolling 8 x 20 LCD display that eliminates the need for an external directory
- Available in 200, 1000 and 2000 name capacities
- Backlit 16 digit keypad with dedicated operational buttons for Page Up, Page Down, Call and Info
- Provisions for postal lock and camera
- Multi-lingual Display and Voice Greeting (English, French-Canadian and Spanish) that provides instructions on how to use the entry panel
- Concierge/Security Desk/Guard Phone capability
- Supports both AutoDialer (ADC) and NSL (No phone bill)
- Ability to network panels together (peer-to-peer)
- Hands free, full duplex communication
- Flexible one to four digit resident codes
- Dials up to 18 digit telephone numbers
- System can be configured locally using the keypad or a computer with the TX3 configuration software
- Upload/download configuration files without taking the whole system offline
- Remote programming with the TX3 configuration software requires a computer equipped with a modem and a TX3-MDM modem module installed in the lobby unit
- Programmable daily usage postal lock
- 5000 record event log
- Elevator restriction capability
- Industry Canada and F.C.C. approved

Applications

- Provides resident/visitor access control for small buildings such as condominiums, apartment buildings, office buildings, gated communities and industrial buildings
- Designed primarily for indoor applications with up to 2000 residents or users

Description

Mircom's TX3 Handset Electronic Directory Telephone Access Systems are designed to provide primary resident/visitor access control for condominiums, apartment buildings, office buildings, gated communities and industrial buildings with up to 2000 residents or users.

The Continental Series enclosure is constructed of a heavy gauge stainless steel and is primarily designed for indoor applications. The Continental Series enclosures feature a handset, microphone, tamper resistant speaker and have provisions for a postal lock and camera to be installed.

These TX3 systems feature a large back-lit 8 line by 20 character electronics LCD display that scrolls a banner message as well as the resident names and dial codes. The enclosures also features a 16 digit backlit telephone style keypad with dedicated operational buttons for Page Up, Page Down, Call and Info. In addition, the system features a configurable multilingual display and voice prompts with a choice of English, Spanish, or French-Canadian.

These systems are programmable via the built-in keypad or using a computer with the optional TX3 configuration software. In addition these systems can also be configured remotely using the TX3 configuration software and the TX3-MDM Modem Module.

CATALOG NUMBER 6554

NOT TO BE USED FOR INSTALLATION PURPOSES.

Mircom reserves the right to make changes at any time without notice in prices, colours, materials, components, equipment, specifications and models and also to discontinue models.

The TX3 system utilizes hands-free, full duplex telephone communications between residents and visitors for granting access into the building. The system is configurable to support both an AutoDialer (ADC) system, which uses a dedicated phone line to dial preprogrammed numbers when the unique directory code is entered, and a No Phone Bill (NSL) system, which does not require a dedicated phone line.

The TX3 system comes standard as an ADC system and requires only a dedicated phone line. For NSL configuration the system requires additional hardware components such as relay cards and relay cabinets. (Please refer to the ordering information.)

Dimensions

TX3-200-8CH-A / TX-1000-8CH-A /

TX3-2000-8CH-A

16 7/8"H x 10 3/8"W x 3"D (*Dimensions are for wall cutout.*)

18 1/2"H x 12"W x 1/2"D (*Outside frame dimensions*)

Enclosures are flush mount only.

Ordering Information

Model	Description
Continental Series Handset models	
TX3-200-8CH-A	Continental Series enclosure c/w 8x20 LCD display, handset, 200 name controller and (1) PS-4P transformer
TX3-1000-8CH-A	Continental Series enclosure c/w 8x20 LCD display, handset, 1000 name controller and (1) PS-4P transformer
TX3-2000-8CH-A	Continental Series enclosure c/w 8x20 LCD display, handset, 2000 name controller and (1) PS-4P transformer
No Phone Bill (NSL) Components	
TX3-NSL-8M	Master NSL Relay Cabinet. Supports eight 2012 Telephone Line Relay Cards.
TX3-8EC	8 Relay Card Expander Cabinet
TX3-16EC	16 Relay Card Expander Cabinet
2012	Twelve Unit Telephone Relay Card
9106	6 ft. relay cable for 2012
2012K	NSL Relay Card and Cable Kit. Kit includes (1) 2012 twelve unit telephone relay card and (1) 9106 six ft. relay cable
ADSL-100	ADSL line filter module for NSL applications
Elevator Restriction Components	
TX3-ER-8-A	Elevator Restriction Relay Cabinet. Supports eight 2012E Elevator Restriction Relay Cards.
2012E	Twelve Unit Elevator Restriction Relay Card
Optional Modules	
TX3-IP	Add on TCP/IP module
TX3-MDM	Modem Module
TX3-GPM	Guard Phone Module
TX3-MSW	TX3 Configuration Software
CAM-3	Color Camera
TH-102	Heater Kit. Requires PS-24
PS-24	24VAC Transformer

NOT TO BE USED FOR INSTALLATION PURPOSES.



Canada

25 Interchange Way
Vaughan, Ontario L4K 5W3
Telephone: (905) 660-4655
Fax: (905) 660-4113

U.S.A.

4575 Witmer Industrial Estates
Niagara Falls, NY 14305
Toll Free: (888) 660-4655
Fax Toll Free: (888) 660-4113

Web page: <http://www.mircom.com>

Email: mail@mircom.com

Distributed by:

ISO 9001:2008
REGISTERED



CAT. 6554
Rev. 0

SLIM LINE TELEPHONE ACCESS SYSTEMS

[TX3] Series

TELEPHONE/CARD ACCESS SYSTEMS



Description

Mircom's TX3 Slim Line Telephone Access Systems are designed to provide primary resident/visitor access control for small condominiums, apartment buildings, office buildings, gated communities and industrial buildings with up to 2000 residents or users. The slim design is ideal for applications with limited space, or for applications where a separate directory exists or is not required.

The Universal Series enclosure is constructed of a heavy gauge stainless steel and can be used in a lobby or outdoors. Surface, semi-flush or pedestal mount applications are supported. The Universal Series enclosure features a built-in rain hood, microphone, tamper resistant speaker and has provisions for a postal lock and color camera to be installed.

The TX3 Slim Line systems feature a back-lit 4 line by 20 character electronic LCD display that scrolls a programmable banner message as well as the resident names and dial codes. The system also features a 16 digit backlit telephone style keypad with dedicated operational buttons for Page Up, Page Down, Call and Info. In addition, the system features a configurable multilingual display and voice prompts with a choice of English, Spanish, or French-Canadian.

The systems are programmable via the built-in keypad or using a computer with the optional TX3 configuration software. In addition the systems can also be configured remotely using the TX3 configuration software and the TX3-MDM Modem Module.

Features

- TCP/IP capability for remote programming by adding a TX3-IP module
- Stainless steel front panel
- Universal Series slim line enclosure with built-in rain hood
- Scrolling 4 x 20 backlit LCD display that eliminates the need for an external directory
- Available in 200, 1000 and 2000 name capacities
- Backlit 16 digit keypad with dedicated operational buttons for Page Up, Page Down, Call and Info
- Provisions for postal lock and color camera
- Multi-lingual Display and Voice Greeting (English, French-Canadian and Spanish) that provides instructions on how to use entry panel
- Concierge/Security Desk/Guard Phone capability
- Supports both AutoDialer (ADC) and NSL (No phone bill)
- Ability to network panels together (peer-to-peer)
- Dials up to 18 digit telephone numbers
- System can be configured locally using the keypad or a computer with the TX3 configuration software
- Upload/download configuration files without taking the whole system offline
- Remote programming requires a computer equipped with a modem and a TX3-MDM modem module installed in the lobby unit
- Programmable daily usage postal lock
- 5000 record event log
- Industry Canada and F.C.C. approved

Applications

- Provides resident/visitor access control for small buildings such as condominiums, apartment buildings, office buildings, gated communities and industrial buildings with up to 2000 residents or users
- Slim design is ideal for applications with limited space, or for applications where a separate directory exists or is not required
- Surface, semi-flush or pedestal mounting options (Optional adapter plate required to mount to a standard gooseneck post)

CATALOG NUMBER 6557

NOT TO BE USED FOR INSTALLATION PURPOSES.

Mircom reserves the right to make changes at any time without notice in prices, colours, materials, components, equipment, specifications and models and also to discontinue models.

The TX3 Slim Line systems utilize a hands-free, full duplex telephone communications between residents and visitors for granting access into the building. The systems are configurable to support both an AutoDialer (ADC) system, which uses a dedicated phone line to dial preprogrammed numbers when the unique directory code is entered, and a No Phone Bill (NSL) system, which does not require a dedicated phone line.

The TX3 Slim Line systems come standard as an ADC system and requires only a dedicated phone line. For NSL configuration the systems requires additional hardware components such as relay cards and relay cabinets. (Please refer to the ordering information.)

Dimensions

TX3-200-4U-A / TX3-1000-4U-A / TX3-2000-4U-A
16 5/8" H x 5 7/8" W x 3" D

TX3-USFT Semi-Flush Trim Ring
16 3/4" H x 6" W x 2 3/4" D (*Dimensions are for wall cutout.*)
19 5/8" H x 8 7/8" W (*Outside dimensions for trim ring*)

Ordering Information

Model	Description
TX3-200-4U-A	Universal enclosure c/w 4x20 LCD display, 200 name controller and (1) PS-4P transformer.
TX3-1000-4U-A	Universal enclosure c/w 4x20 LCD display, 1000 name controller and (1) PS-4P transformer.
TX3-2000-4U-A	Universal enclosure c/w 4x20 LCD display, 2000 name controller and (1) PS-4P transformer.
Slim Line Mounting Accessories	
TX3-USFT	Flush mounting trim kit designed for use with the slim line Universal Series enclosures
TX3-USGA	Gooseneck mounting adapter designed for use with the slim line Universal Series enclosures
No Phone Bill (NSL) Components	
TX3-NSL-8M	Master NSL Relay Cabinet. Supports eight 2012 Telephone Line Relay Cards.
TX3-8EC	8 Relay Card Expander Cabinet
TX3-16EC	16 Relay Card Expander Cabinet
2012	Twelve Unit Telephone Relay Card
9106	6 ft. relay cable for 2012
2012K	NSL Relay Card and Cable Kit. Kit includes (1) 2012 twelve unit telephone relay card and (1) 9106 six ft. relay cable
ADSL-100	ADSL line filter module for NSL applications
Elevator Restriction Components	
TX3-ER-8-A	Elevator Restriction Relay Cabinet. Supports eight 2012E Elevator Restriction Relay Cards.
2012E	Twelve Unit Elevator Restriction Relay Card
Optional Modules	
TX3-IP	Add on TCP/IP module
TX3-MDM	Modem Module
TX3-GPM	Guard Phone Module
TX3-MSW	TX3 Configuration Software
CAM-3	Color Camera
TH-102	Heater Kit. Requires PS-24.
PS-24	24VAC Transformer

NOT TO BE USED FOR INSTALLATION PURPOSES.



Canada
25 Interchange Way
Vaughan, Ontario L4K 5W3
Telephone: (905) 660-4655
Fax: (905) 660-4113

U.S.A.
4575 Witmer Industrial Estates
Niagara Falls, NY 14305
Toll Free: (888) 660-4655
Fax Toll Free: (888) 660-4113

Web page: <http://www.mircom.com> Email: mail@mircom.com

Distributed by:

ISO 9001:2008
REGISTERED



CAT. 6557
Rev. 0

**[TX3] Series**

TELEPHONE/CARD ACCESS SYSTEMS

Features

- TCP/IP capability for remote programming by adding a TX3-IP module
- Stainless steel construction
- Large scrolling 8 x 20 LCD display that eliminates the need for an external directory
- Available in 200, 1000 and 2000 name capacities
- Backlit 16 digit keypad with dedicated operational buttons for Page Up, Page Down, Call and Info
- Provisions for postal lock and camera
- Multi-lingual Display and Voice Greeting (English, French-Canadian and Spanish) that provides instructions on how to use the entry panel
- Concierge/Security Desk/Guard Phone capability
- Supports both AutoDialer (ADC) and NSL (No phone bill)
- Ability to network panels together (peer-to-peer)
- Hands free, full duplex communication
- Flexible one to four digit resident codes
- Dials up to 18 digit telephone numbers
- System can be configured locally using the keypad or a computer with the TX3 configuration software
- Upload/download configuration files without taking the whole system offline
- Remote programming with the TX3 configuration software requires a computer equipped with a modem and a TX3-MDM modem module installed in the lobby unit
- Programmable daily usage postal lock
- 5000 record event log
- Elevator restriction capability
- Industry Canada and F.C.C. approved

Applications

- Provides resident/visitor access control for small buildings such as condominiums, apartment buildings, office buildings, gated communities and industrial buildings
- Designed primarily for indoor applications with up to 2000 residents or users

Description

Mircom's TX3 Handset Electronic Directory Telephone Access Systems are designed to provide primary resident/visitor access control for condominiums, apartment buildings, office buildings, gated communities and industrial buildings with up to 2000 residents or users.

The Continental Series enclosure is constructed of a heavy gauge stainless steel and is primarily designed for indoor applications. The Continental Series enclosures feature a handset, microphone, tamper resistant speaker and have provisions for a postal lock and camera to be installed.

These TX3 systems feature a large back-lit 8 line by 20 character electronics LCD display that scrolls a banner message as well as the resident names and dial codes. The enclosures also features a 16 digit backlit telephone style keypad with dedicated operational buttons for Page Up, Page Down, Call and Info. In addition, the system features a configurable multilingual display and voice prompts with a choice of English, Spanish, or French-Canadian.

These systems are programmable via the built-in keypad or using a computer with the optional TX3 configuration software. In addition these systems can also be configured remotely using the TX3 configuration software and the TX3-MDM Modem Module.

CATALOG NUMBER 6554

NOT TO BE USED FOR INSTALLATION PURPOSES.

Mircom reserves the right to make changes at any time without notice in prices, colours, materials, components, equipment, specifications and models and also to discontinue models.

The TX3 system utilizes hands-free, full duplex telephone communications between residents and visitors for granting access into the building. The system is configurable to support both an AutoDialer (ADC) system, which uses a dedicated phone line to dial preprogrammed numbers when the unique directory code is entered, and a No Phone Bill (NSL) system, which does not require a dedicated phone line.

The TX3 system comes standard as an ADC system and requires only a dedicated phone line. For NSL configuration the system requires additional hardware components such as relay cards and relay cabinets. (Please refer to the ordering information.)

Dimensions

TX3-200-8CH-A / TX-1000-8CH-A /

TX3-2000-8CH-A

16 7/8"H x 10 3/8"W x 3"D (*Dimensions are for wall cutout.*)

18 1/2"H x 12"W x 1/2"D (*Outside frame dimensions*)

Enclosures are flush mount only.

Ordering Information

Model	Description
Continental Series Handset models	
TX3-200-8CH-A	Continental Series enclosure c/w 8x20 LCD display, handset, 200 name controller and (1) PS-4P transformer
TX3-1000-8CH-A	Continental Series enclosure c/w 8x20 LCD display, handset, 1000 name controller and (1) PS-4P transformer
TX3-2000-8CH-A	Continental Series enclosure c/w 8x20 LCD display, handset, 2000 name controller and (1) PS-4P transformer
No Phone Bill (NSL) Components	
TX3-NSL-8M	Master NSL Relay Cabinet. Supports eight 2012 Telephone Line Relay Cards.
TX3-8EC	8 Relay Card Expander Cabinet
TX3-16EC	16 Relay Card Expander Cabinet
2012	Twelve Unit Telephone Relay Card
9106	6 ft. relay cable for 2012
2012K	NSL Relay Card and Cable Kit. Kit includes (1) 2012 twelve unit telephone relay card and (1) 9106 six ft. relay cable
ADSL-100	ADSL line filter module for NSL applications
Elevator Restriction Components	
TX3-ER-8-A	Elevator Restriction Relay Cabinet. Supports eight 2012E Elevator Restriction Relay Cards.
2012E	Twelve Unit Elevator Restriction Relay Card
Optional Modules	
TX3-IP	Add on TCP/IP module
TX3-MDM	Modem Module
TX3-GPM	Guard Phone Module
TX3-MSW	TX3 Configuration Software
CAM-3	Color Camera
TH-102	Heater Kit. Requires PS-24
PS-24	24VAC Transformer

NOT TO BE USED FOR INSTALLATION PURPOSES.



Canada

25 Interchange Way
Vaughan, Ontario L4K 5W3
Telephone: (905) 660-4655
Fax: (905) 660-4113

U.S.A.

4575 Witmer Industrial Estates
Niagara Falls, NY 14305
Toll Free: (888) 660-4655
Fax Toll Free: (888) 660-4113

Web page: <http://www.mircom.com>

Email: mail@mircom.com

Distributed by:

ISO 9001:2008
REGISTERED



CAT. 6554
Rev. 0

**[TX3] Series**

TELEPHONE/CARD ACCESS SYSTEMS

Features

- No Subscriber Line (NSL) system that does away with monthly phone bill
- Starter kit for 12 residents that can be expanded with additional hardware (refer to ordering information)
- Kit comes complete with a Universal Series slim line enclosure, Master NSL relay cabinet, relay card(s), relay cable(s), RJ-71C punch down block(s) and transformers.
- Lobby enclosure features a stainless steel front panel, built-in rain hood, 4 x 20 backlit LCD display, backlit 16 digit keypad and provisions for a postal lock and color camera
- Multi-lingual Display and Voice Greeting (English, French-Canadian and Spanish) that provides instructions on how to use entry panel
- Built-in Call Waiting feature
- Distinct Suite Telephone Ring Pattern
- Concierge/Security Desk/Guard Phone capability
- Card Access Interface
- Dials up to 18 digit telephone numbers
- System can be configured locally using the keypad or a computer with the TX3 configuration software
- Upload/download configuration files without taking the whole system offline
- Programming from one location
- Remote programming requires a computer equipped with a modem and a TX3-MDM modem module installed in the lobby unit
- Industry Canada and F.C.C. approved

Description

Mircom's TX3-NSL-12K Telephone Access Kit is designed to provide Resident/Visitor access control to provide primary resident/visitor access control for small condominiums, apartment buildings, office buildings, gated communities and industrial buildings that do not have a dedicated phone line or do not want to incur the cost of a dedicated line.

The TX3-NSL-12K starter kit comes complete with a Universal Series slim line enclosure, Master NSL relay cabinet, relay card(s), relay cable(s), RJ-71C punch down block(s) and transformers to support 12 residents/users. The system can be expanded with additional hardware. (Refer to the ordering information).

The NSL kit features a TX3-200-4U Universal Series slim line lobby enclosure that is constructed of a heavy gauge stainless steel for use in a lobby or outdoors. The enclosure features a built-in rain hood, microphone, tamper resistant speaker and has provisions for a postal lock and color camera to be installed. The slim line design is ideal for applications with limited space, or for applications where a separate directory exists or is not required. Surface, semi-flush or pedestal mount applications are supported.

The TX3-200-4U lobby enclosure features a back-lit 4 line by 20 character electronic LCD display that scrolls a programmable banner message as well as the resident names and dial codes. The system also features a 16 digit back-lit telephone style keypad with dedicated operational buttons for Page Up, Page Down, Call and Info.

Applications

- Provides resident/visitor access control for small condominiums, apartment buildings, office buildings, gated communities and industrial buildings that do not have a dedicated phone line
- Slim design is ideal for applications with limited space, or for applications where a separate directory exists or is not required
- Surface, semi-flush or pedestal mounting options (Optional adapter plate required to mount to a standard gooseneck post)

CATALOG NUMBER 6529

NOT TO BE USED FOR INSTALLATION PURPOSES.

Mircom reserves the right to make changes at any time without notice in prices, colours, materials, components, equipment, specifications and models and also to discontinue models.

TX3-NSL-12K system also features a configurable multilingual display and voice prompts (choice of English, Spanish, or French-Canadian) that provide instructions on how to use the system .

The TX3-NSL-12K uses the No Subscriber Line (NSL) system, which does not require a dedicated phone line. This eliminates the monthly phone bill and provides the call waiting feature to all residents/suites on the system.

The TX3 system is programmable via the built-in keypad or using a computer with the optional TX3 configuration software. In addition the system can also be configured remotely using the TX3 configuration software and the TX3-MDM Modem Module.

The TX3 system utilizes hands-free, full duplex telephone communications between residents and visitors for granting access into the building.

Dimensions

TX3-200-4U

16 5/8"H x 5 3/4"W x 3"D

TX3-USFT Semi-Flush Trim Ring

16 3/4"H x 6"W x 2 3/4"D (*Dimensions are for wall cutout.*)

19 5/8"H x 8 7/8"W (*Outside dimensions for trim ring*)

TX3-NSL-8M Master NSL Relay Cabinet

27"H x 10 1/8"W x 6 3/8"D

Ordering Information

Model	Description
TX3-NSL-12K	NSL Starter Kit for 12 residents/suites consists of a slim line Universal Series, master NSL relay cabinet, telephone line relay card, relay cable, punch down block and plug-in transformers.
Mounting Accessories	
TX3-USFT	Flush mounting trim kit designed for use with the slim line Universal Series enclosures
TX3-USGA	Gooseneck mounting adapter designed for use with the slim line Universal Series enclosures
NSL Components for Expansion	
2012K	NSL Relay Card and Cable Kit. Kit includes (1) 2012 twelve unit telephone relay card and (1) 9106 six ft. relay cable for 12 residents/suites.
TX3-8EC	8 Relay Card Expander Cabinet
TX3-16EC	16 Relay Card Expander Cabinet
Optional Modules	
TX3-MDM	Modem Module
TX3-GPM	Guard Phone Module
TX3-MSW	TX3 Configuration Software
CAM-3	Color Camera
TH-102	Heater Kit
PS-24	24VAC Transformer
ADSL-100	ADSL line filter module for NSL applications

NOT TO BE USED FOR INSTALLATION PURPOSES.



Canada
25 Interchange Way
Vaughan, Ontario L4K 5W3
Telephone: (905) 660-4655
Fax: (905) 660-4113

U.S.A.
4575 Witmer Industrial Estates
Niagara Falls, NY 14305
Toll Free: (888) 660-4655
Fax Toll Free: (888) 660-4113

Web page: <http://www.mircom.com>

Email: mail@mircom.com

Distributed by:

ISO 9001:2008
REGISTERED



CAT. 6529
Rev.4

NO PHONE BILL (NSL) SYSTEM

[TX3] Series
TELEPHONE/CARD ACCESS SYSTEMS



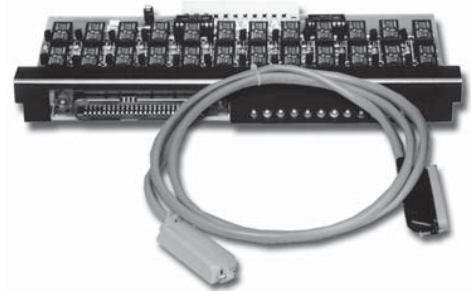
Features

- No dedicated phone line required
- Eliminates the monthly phone bill
- Built-in Call Waiting
- Distinct Ring Pattern
- Interfaces with all TX3 Series telephone access system lobby panels
- Each telephone relay card supports 12 residents
- Master NSL cabinet supports up to eight relay cards
- System can be expanded with additional expansion relay cabinets

Description

The No Phone Bill (NSL) system provides voice communication and access control via a resident phone without the need for a dedicated phone line. The No Subscriber Line system eliminates the need for a monthly phone bill while providing added features such as call-waiting and distinct ring pattern.

The NSL system consists of a TX3-NSL-8M master NSL relay cabinet that performs the switching between the telephone lines, resident lines and the TX3 Series lobby unit(s). In addition it generates call waiting tones to the resident. Additional expander cabinets can be added if required. The master NSL relay cabinet supports up to eight 2012K telephone relay card and cable that provide connection for up to 12 resident telephone lines.



2012K Telephone Line Relay Card and Relay Cable

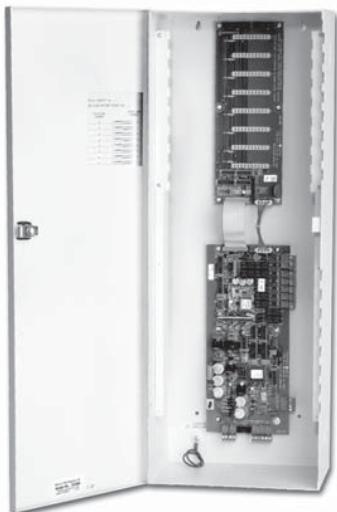
The 2012K kit consists of one 2012 Telephone Line Relay Card and one 9106 Relay Cable. The relay card plugs into the backplane boards of the NSL relay cabinet. Each backplane supports eight relay cards for a total of 96 relays per NSL Backplane. Each 2102 Telephone Line Relay Card provides for connection to 12 resident telephone lines. The connections are done via the CA-71A (*Canada*) BIX Block or RJ-71C (*U.S.A.*) Punch Down Block Wiring Configuration. The 50 pin Amphenol connector on the BIX block is connected to the 2012 relay card using the 9106 six ft. relay cable.

CATALOG NUMBER **6530**

NOT TO BE USED FOR INSTALLATION PURPOSES.

Mircom reserves the right to make changes at any time without notice in prices, colours, materials, components, equipment, specifications and models and also to discontinue models.

TX3 NSL Relay Cabinets



TX3-NSL-8M Master No Subscriber Line (NSL) Relay Cabinet

The TX3-NSL8M Master NSL Relay Cabinet comes complete with one Main NSL Controller Board, one NSL Backplane and one PS-24/PS-24P transformer. Up to eight 2012K NSL Telephone Line Relay Cards and Relay Cables may be installed on the NSL backplane, allowing for a total of 96 Residents per TX3-NSL-8M enclosure. The TX3-NSL-8M NSL Unit (and any TX3-8EC/TX3-16EC NSL Relay Backplane Expanders) performs the switching between the telephone lines, resident lines and the TX3 Series Lobby Unit(s). In addition it generates call waiting tones to the resident. The TX3-NSL-8M and any TX3-8EC and/or TX3-16EC must all be adjacent to each other, mounted on the same wall and in the same room.

Dimensions:

TX3-NSL-8M 27"H x 10 1/8"W x 6 3/8"D



TX3-8EC/TX3-16EC NSL Expander Cabinets

The TX3-8EC NSL 8 Relay Expander Cabinet/ TX3-16EC NSL 16 Relay Expander Cabinet provide expansion for the TX3-NSL-8M Master NSL Relay Cabinet. The expander cabinets are interconnected to the TX3-NSL-8M via two cables and provide capacity for an additional 8 or 16 Telephone Line Relay Cards. A total of 16 backplanes may be installed for a total of 1,536 Residents.

Dimensions:

TX3-8EC 13 15/16"H x 10 1/8"W x 6 3/8"D
 TX3-16EC 27"H x 10 1/8"W x 6 3/8"D

Ordering Information

Model	Description
NSL Relay Cabinets	
TX3-NSL-8M	Master No Subscriber Line (NSL) Relay Cabinet
TX3-8EC	8 Relay Card Expander Cabinet
TX3-16EC	16 Relay Card Expander Cabinet
NSL Relay Cards and Cables	
2012K	12 Unit Telephone Line Relay Card and 6ft. Relay Cable
2012	12 Unit Telephone Line Relay Card
9106	6 ft. Relay Cable
9106BC	6 ft. Relay Cable for B.C.
RJ-71C	Punch Down Block c/w 25 pair Amphenol
ADSL-100	ADSL line filter module for NSL applications

NOT TO BE USED FOR INSTALLATION PURPOSES.



Canada
 25 Interchange Way
 Vaughan, Ontario L4K 5W3
 Telephone: (905) 660-4655
 Fax: (905) 660-4113

U.S.A.
 4575 Witmer Industrial Estates
 Niagara Falls, NY 14305
 Toll Free: (888) 660-4655
 Fax Toll Free: (888) 660-4113

Web page: <http://www.mircom.com> Email: mail@mircom.com

Distributed by:

ISO 9001:2008
 REGISTERED



CAT. 6530
 Rev. 2



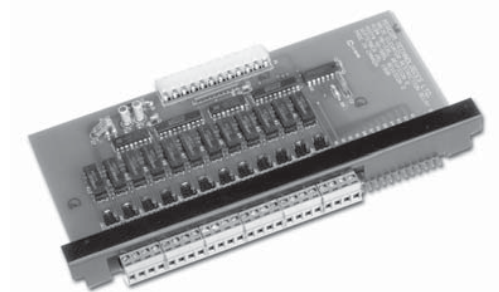
Features

- Allows visitor limited access into the building
- Provides time dependent relay contacts that can be used for either elevator control or video control
- User selectable timer for relay contacts can be set for each TX3-ER-8 Elevator Restriction Unit at each Entry Panel
- Used with any TX3 Series Lobby unit
- Each relay card supports up to 12 floors
- Master relay cabinet supports up to eight relay cards

TX3-ER-8 Elevator Restriction Unit

The TX3-ER-8 Elevator Restriction Unit allows the visitor limited access into a building. The TX3-ER-8 Elevator Restriction Unit comes complete with a cabinet, the Main Elevator Restriction Controller Board, the Elevator BackPlane and one PS-4P transformer. The TX3-ER-8 supports up to eight 2012E Elevator Restriction Relay Cards for a total of 96 elevator restriction relays. The TX3-ER-8 Elevator Restriction Unit provides time dependent relay contacts which can be used for either elevator control or video control.

Dimensions:
TX3-ER-8 27"H x 10 1/8"W x 6 3/8"D



2012E Elevator Restriction Relay Card

The 2012E Elevator Restriction Relay Card plugs into the Backplane portion of the TX3-ER-8 Elevator Restriction Unit. Each 2012E has 12 Form "A" or "B" (Each is Jumper selectable as Normally Closed or Normally Open) Relay contacts rated at 28 VDC, 0.5 ampere. A total of eight 2012E Elevator Restriction Relay Cards mount into each TX3-ER-8 Unit for a total of 96 elevator restriction relays.

Ordering Information

Model	Description
Relay Cabinet	
TX3-ER-8	Elevator Restriction Relay Cabinet
Relay Card	
2012E	Elevator Restriction Relay Card for 12 floors

NOT TO BE USED FOR INSTALLATION PURPOSES.



Mircom[™]

Canada
25 Interchange Way
Vaughan, Ontario L4K 5W3
Telephone: (905) 660-4655
Fax: (905) 660-4113

U.S.A.
4575 Witmer Industrial Estates
Niagara Falls, NY 14305
Toll Free: (888) 660-4655
Fax Toll Free: (888) 660-4113

Web page: <http://www.mircom.com> Email: mail@mircom.com

Distributed by:

ISO 9001:2008
REGISTERED



CAT. 6532
Rev. 1

Emergency Phones

Apartment Intercom Systems

ENTRY PANELS

K-SERIES / KT-SERIES



Features

- Modular design enables individual modules to be stocked
- Height of Frames match common apartment mail box sizes
- Corrosion-resistant exterior
- Made from anodized aluminium, the K-Series Entry Panel can withstand years of environmental abuse
- Clear indication of tenant call buttons
- A 'paper-like' film directory insert can be easily updated
- Standard Rough-in backbox sizes

Simple, Functional And Durable

Mircom's ingenious design of K-Series lobby panels are inspired by the continuous demands of architects, engineers, contractors and building owners.

Made from rugged aluminium alloy the K-Series is built to withstand years of use and abuse. A unique pinhole locking system does away with common fastening providing a clean appearance. The pinhole locking mechanism also resists tampering by individuals attempting to vandalize the panel.

A variety of panels for speaker or handset intercom systems makes it easy to assembly a lobby panel to fit in virtually all applications. Each panel has a varying number of call buttons and directory spaces to accommodate system sizes from two to fifty apartments.

The modular construction of the K-Series panels makes it easy for distributors to stock and provide immediate delivery for their distributors.

Backboxes & Frames

Surface or flush rough-in backboxes are available for each frame. All the backboxes are designed to house the system components of typical intercom systems.



Frames

Frames for the K-Series vary in width to accommodate from one to six panels.

Dimensions

All frames have a standard outside dimension height of 483 mm (19 inches). The width will vary of the frame size.

KF-101	153 mm (6 inches)
KF-102	254 mm (10 inches)
KF-103	356 mm (14 inches)
KF-104	457 mm (18 inches)



KB-100 Series Flush Backboxes

Made from satin finished steel, each K-Series backbox provide knockouts for electrical conduits and wire connections.

Dimensions

All KB-100 Series backboxes have a fixed in wall height dimension of 441 mm (17.4") and depth of 95 mm (3.75"). The width of each backbox will vary on the number of panels it must accommodate.

KB-101	115 mm (4.5 inches)
KB-102	217 mm (8.5 inches)
KB-103	318 mm (12.5 inches)
KB-104	420 mm (16.5 inches)

KB-300 Series Surface Backboxes

All the surface backboxes are made from anodized aluminium.

Dimensions

Each KB-300 Series backbox has a fixed depth of 64 mm (2.5") and a fixed height of 483 mm (19"). The width of each backbox will vary on the number of panels it must accommodate.

KB-301	155 mm (6.1 inches)
KB-302	257 mm (10.1 inches)
KB-303	358 mm (14.1 inches)
KB-304	460 mm (18.1 inches)

CATALOG NUMBER **7200**

NOT TO BE USED FOR INSTALLATION PURPOSES.

Mircom reserves the right to make changes at any time without notice in prices, colours, materials, components, equipment, specifications and models and also to discontinue models.

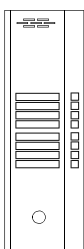
MODULES

Standard Simplex Systems



Push-button - 4 to 20 Apartments.

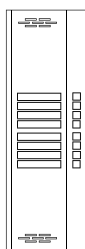
For all remote types except handsets.
Model KS-104 4 Apts.
Model KS-108 8 Apts.
Model KS-112 12 Apts.
Model KS-116 16 Apts.
Model KS-120 20 Apts.



Push-button with Postal Lock - 4 to 16 Apartments.

For all remote types except handsets.
Model KS-104P 4 Apts.
Model KS-108P 8 Apts.
Model KS-112P 12 Apts.

Duplex Handset Systems

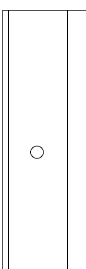


Push-button - 4 to 16 Apartments.

For 1132 Handset remote only.
Model KT-104 4 Apts.
Model KT-108 8 Apts.
Model KT-112 12 Apts.
Model KT-116 16 Apts.



Speaker with Postal Lock For all handset type stations



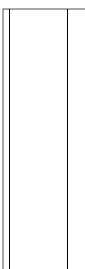
KM-PO2 Postman's Lock Assembly

For mounting Post Office Master Lock.



KP-112 12 Push-button Directory

**KP-124
24 Push-button
Directory**
Use with all Mircom Remote Stations.



KP-100 Blank Multi-purpose

Ordering Information

# OF SUITES	# OF ADDITIONAL PANELS				FRAME	FLUSH BACKBOX	SURFACE BACKBOX
	1	2	3	4			
SPEAKER TYPE SYSTEMS							
4	KS-104				KF-101	KB-101	KB-301
	KS-104P				KF-101	KB-101	KB-301
8	KS-108				KF-101	KB-101	KB-301
	KS-108P				KF-101	KB-101	KB-301
12	KS-112				KF-101	KB-101	KB-301
	KS-112P				KF-101	KB-101	KB-301
16	KS-116				KF-101	KB-101	KB-301
	KS-104P	KP-112			KF-102	KB-102	KB-302
20	KS-120				KF-101	KB-101	KB-301
	KS-108P	KP-112			KF-102	KB-102	KB-302
24	KS-112	KP-112			KF-102	KB-102	KB-302
	KS-112P	KP-112			KF-102	KB-102	KB-302
28	KS-104	KP-124			KF-102	KB-102	KB-302
	KS-104P	KP-124			KF-102	KB-102	KB-302
32	KS-108	KP-124			KF-102	KB-102	KB-302
	KS-108P	KP-124			KF-102	KB-102	KB-302
36	KS-112	KP-124			KF-102	KB-102	KB-302
	KS-112P	KP-124			KF-102	KB-102	KB-302
40	KS-116	KP-124			KF-102	KB-102	KB-302
	KS-104P	KP-112	KP-124		KF-103	KB-103	KB-303
44	KS-120	KP-124			KF-102	KB-102	KB-302
	KS-108P	KP-112	KP-124		KF-103	KB-103	KB-303
48	KS-112	KP-112	KP-124		KF-103	KB-103	KB-303
	KS-112P	KP-112	KP-124		KF-103	KB-103	KB-303
52	KS-116	KP-112	KP-124		KF-103	KB-103	KB-303
	KS-104P	KP-124	KP-124		KF-103	KB-103	KB-303

Panels with Postal Lock Features.

# OF SUITES	# OF ADDITIONAL PANELS				FRAME	FLUSH BACKBOX	SURFACE BACKBOX
	1	2	3	4			
HANDSET TYPE SYSTEMS							
4	KT-104				KF-101	KB-101	KB-301
	KT-104	KM-PO2			KF-102	KB-102	KB-302
8	KT-108				KF-101	KB-101	KB-301
	KT-108	KM-PO2			KF-102	KB-102	KB-302
12	KT-112				KF-101	KB-101	KB-301
	KT-100P	KP-112			KF-102	KB-102	KB-302
16	KT-116				KF-101	KB-101	KB-301
	KT-116	KM-PO2			KF-102	KB-102	KB-302
20	KT-108	KP-112			KF-102	KB-102	KB-302
	KT-100P	KP-124			KF-102	KB-102	KB-302
24	KT-112	KP-112			KF-102	KB-102	KB-302
	KT-100P	KP-124			KF-102	KB-102	KB-302
28	KT-104	KP-124			KF-102	KB-102	KB-302
	KT-104	KP-124	KM-PO2		KF-103	KB-103	KB-303
32	KT-108	KP-124			KF-102	KB-102	KB-302
	KT-108	KP-124	KM-PO2		KF-103	KB-103	KB-303
36	KT-112	KP-124			KF-102	KB-102	KB-302
	KT-112	KP-124	KM-PO2		KF-103	KB-103	KB-303
40	KT-116	KP-124			KF-102	KB-102	KB-302
	KT-116	KP-124	KM-PO2		KF-103	KB-103	KB-303
44	KT-108	KP-112	KP-124		KF-103	KB-103	KB-303
	KT-100P	KP-124	KP-124		KF-103	KB-103	KB-303
48	KT-112	KP-112	KP-124		KF-103	KB-103	KB-303
	KT-100P	KP-124	KP-124		KF-103	KB-103	KB-303
52	KT-104	KP-124	KP-124		KF-103	KB-103	KB-303
	KT-116	KP-112	KP-124	KM-PO2	KF-104	KB-104	KB-304

NOT TO BE USED FOR INSTALLATION PURPOSES.



Canada

25 Interchange Way
Vaughan, Ontario L4K 5W3
Telephone: (905) 660-4655
Fax: (905) 660-4113

U.S.A.

4575 Witmer Industrial Estates
Niagara Falls, NY 14305
Toll Free: (888) 660-4655
Fax Toll Free: (888) 660-4113

Web page: <http://www.mircom.com>

Email: mail@mircom.com

Distributed by:

ISO 9001:2008
REGISTERED



CAT. 7200
Rev. 6

A Design that delineates it as unique among the unique.



Features

- Modular design enables individual modules to be stocked
- Height of Frames match common apartment mail box sizes
- Corrosion-resistant exterior
- Made from anodized aluminium, the KV-Series Entry Panel can withstand years of environmental abuse
- Clear indication of tenant call buttons
- A 'paper-like' film directory insert can be easily updated
- Standard Rough-in backbox sizes

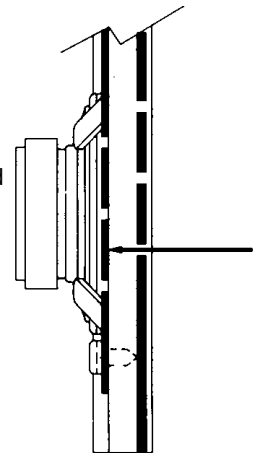
Mircom's ingenious design of KV-Series lobby panels are inspired by the continuous demands of architects, engineers, contractors and building owners.

Made from rugged aluminium alloy the KV-Series is built to withstand years of use and abuse. Vandal-resistant features include metal call buttons, a poke resistant speaker grill and unique locking mechanism. The metal buttons prevent vandals from melting them with cigarettes or lighters.

A variety of panels for speaker or handset intercom systems makes it easy to assembly a lobby panel to fit in virtually all applications. Each panel has a varying number of call buttons and directory spaces to accommodate system sizes from two to fifty apartments.

The modular construction of the K-Series panels makes it easy for distributors to stock and provide immediate delivery for their customers.

For vandalism protection a 16 AWG sheet of metal covers each speaker. A staggered arrangement of the speaker grill provides puncture protection without muffling the sound transmission of the speaker.



Backboxes & Frames

Surface or flush rough-in backboxes are available for each frame. All the backboxes are designed to house the system components of typical intercom systems.



Frames

Frames for the KV-Series vary in width to accommodate from one to six panels.

Dimensions

All frames have a standard outside dimension height of 483 mm (19 inches). The width will vary of the frame size.

KF-101	153 mm	(6 inches)
KF-102	254 mm	(10 inches)
KF-103	356 mm	(14 inches)
KF-104	457 mm	(18 inches)



KB-100 Series Flush Backboxes

Made from satin finished steel, each KV-Series backbox provide knockouts for electrical conduits and wire connections

Dimensions

All KB-100 Series backboxes have a fixed in wall height dimension of 441 mm (17.4") and depth of 95 mm (3.75"). The width of each backbox will vary on the number of panels it must accommodate.

KB-101	115 mm	(4.5 inches)
KB-102	217 mm	(8.5 inches)
KB-103	318 mm	(12.5 inches)
KB-104	420 mm	(16.5 inches)





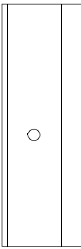

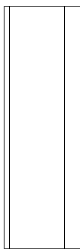
KB-300 Series Surface Backboxes

All the surface backboxes are made from anodized aluminium

Dimensions

Each KB-300 Series backbox has a fixed depth of 64 mm (2.5") and a fixed height of 483 mm (19"). The width of each backbox will vary on the number of panels it must accommodate.

KB-301	155 mm	(6.1 inches)
KB-302	257 mm	(10.1 inches)
KB-303	358 mm	(14.1 inches)
KB-304	460 mm	(18.1 inches)

MODULES	Standard Simplex Systems  Push-button - 4 to 20 Apartments. For all remote types except handsets. Model KVS-104 4 Apts. Model KVS-108 8 Apts. Model KVS-112 12 Apts. Model KVS-116 16 Apts. Model KVS-120 20 Apts.		 Push-button with Postal Lock - 4 to 16 Apartments. For all remote types except handsets. Model KVS-104P 4 Apts. Model KVS-108P 8 Apts. Model KVS-112P 12 Apts.		Duplex Handset Systems  Push-button - 4 to 16 Apartments. For 1132 Handset remote only. Model KVT-104 4 Apts. Model KVT-108 8 Apts. Model KVT-112 12 Apts. Model KVT-116 16 Apts.		 Speaker with Postal Lock For all handset type stations	
	MODULES	 KM-PO2 Postman's Lock Assembly For mounting Post Office Master Lock.		 KVP-112 12 Push-button Directory KVP-124 24 Push-button Directory Use with all Mircom Remote Stations.		 KP-100 Blank Multi-purpose		

Ordering Information

# OF SUITES	# OF ADDITIONAL PANELS				FRAME	FLUSH BACKBOX	SURFACE BACKBOX
	1	2	3	4			
SPEAKER TYPE SYSTEMS							
4	KVS-104				KF-101	KB-101	KB-301
	KVS-104P				KF-101	KB-101	KB-301
8	KVS-108				KF-101	KB-101	KB-301
	KVS-108P				KF-101	KB-101	KB-301
12	KVS-112				KF-101	KB-101	KB-301
	KVS-112P				KF-101	KB-101	KB-301
16	KVS-116				KF-101	KB-101	KB-301
	KVS-104P	KVP-112			KF-102	KB-102	KB-302
20	KVS-120				KF-101	KB-101	KB-301
	KVS-108P	KVP-112			KF-102	KB-102	KB-302
24	KVS-112	KVP-112			KF-102	KB-102	KB-302
	KVS-112P	KVP-112			KF-102	KB-102	KB-302
28	KVS-104	KVP-124			KF-102	KB-102	KB-302
	KVS-104P	KVP-124			KF-102	KB-102	KB-302
32	KVS-108	KVP-124			KF-102	KB-102	KB-302
	KVS-108P	KVP-124			KF-102	KB-102	KB-302
36	KVS-112	KVP-124			KF-102	KB-102	KB-302
	KVS-112P	KVP-124			KF-102	KB-102	KB-302
40	KVS-116	KVP-124			KF-102	KB-102	KB-302
	KVS-104P	KVP-112	KVP-124		KF-103	KB-103	KB-303
44	KVS-120	KVP-124			KF-102	KB-102	KB-302
	KVS-108P	KVP-112	KVP-124		KF-103	KB-103	KB-303
48	KVS-112	KVP-112	KVP-124		KF-103	KB-103	KB-303
	KVS-112P	KVP-112	KVP-124		KF-103	KB-103	KB-303
52	KVS-116	KVP-112	KVP-124		KF-103	KB-103	KB-303
	KVS-104P	KVP-124	KVP-124		KF-103	KB-103	KB-303

Panels with Postal Lock Features.

# OF SUITES	# OF ADDITIONAL PANELS				FRAME	FLUSH BACKBOX	SURFACE BACKBOX
	1	2	3	4			
HANDSET TYPE SYSTEMS							
4	KVT-104				KF-101	KB-101	KB-301
	KVT-104	KM-PO2			KF-102	KB-102	KB-302
8	KVT-108				KF-101	KB-101	KB-301
	KVT-108	KM-PO2			KF-102	KB-102	KB-302
12	KVT-112				KF-101	KB-101	KB-301
	KT-100P	KVP-112			KF-102	KB-102	KB-302
16	KVT-116				KF-101	KB-101	KB-301
	KVT-116	KM-PO2			KF-102	KB-102	KB-302
20	KVT-108	KVP-112			KF-102	KB-102	KB-302
	KT-100P	KVP-124			KF-102	KB-102	KB-302
24	KVT-112	KVP-112			KF-102	KB-102	KB-302
	KT-100P	KVP-124			KF-102	KB-102	KB-302
28	KVT-104	KVP-124			KF-102	KB-102	KB-302
	KVT-104	KVP-124	KM-PO2		KF-103	KB-103	KB-303
32	KVT-108	KVP-124			KF-102	KB-102	KB-302
	KVT-108	KVP-124	KM-PO2		KF-103	KB-103	KB-303
36	KVT-112	KVP-124			KF-102	KB-102	KB-302
	KVT-112	KVP-124	KM-PO2		KF-103	KB-103	KB-303
40	KVT-116	KVP-124			KF-102	KB-102	KB-302
	KVT-116	KVP-124	KM-PO2		KF-103	KB-103	KB-303
44	KVT-108	KVP-112	KVP-124		KF-103	KB-103	KB-303
	KT-100P	KVP-124	KVP-124		KF-103	KB-103	KB-303
48	KVT-112	KVP-112	KVP-124		KF-103	KB-103	KB-303
	KT-100P	KVP-124	KVP-124		KF-103	KB-103	KB-303
52	KVT-104	KVP-124	KVP-124		KF-103	KB-103	KB-303
	KVT-116	KVP-112	KVP-124	KM-PO2	KF-104	KB-104	KB-304

NOT TO BE USED FOR INSTALLATION PURPOSES.



Canada

25 Interchange Way
 Vaughan, Ontario L4K 4L7
 Telephone: (905) 660-4655
 Fax: (905) 660-4113

U.S.A.

4575 Witmer Industrial Estates
 Niagara Falls, NY 14305
 Toll Free: (888) 660-4655
 Fax Toll Free: (888) 660-4113

Web page: <http://www.mircom.com>

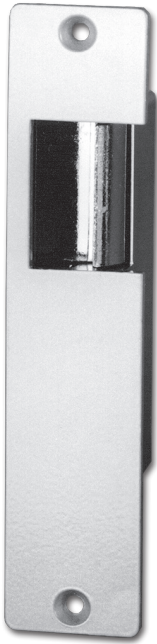
Email: mail@mircom.com

Distributed by:

ISO 9001:2008
 REGISTERED



CAT. 7201
 Rev. 6

**M-10 Door Strike**

To be used with locksets having up to 1/2" throw.

- **NARROW STYLE**
face plate 1 1/4" Wide
- **SOLID CAST LATCH**
Cavity Measurements
Depth - 1/2";
Width - 1/2";
Height - 1 3/8"
- **HEAVY DUTY LATCH SPRING**
- **MORTISE TYPE**
Backset 1 9/16" Deep
- **FAIL-SECURE - (Standard Action)**
Unlocks when Energized
- **CORROSION RESISTANT**
Plated Face Plate and Latch
- **SATIN BRASS finish**
- **ELECTRICAL SPECS.**
Voltage: 8-16 AC/DC

Description

The Mircom M-Series Door Strikes are to be used in new or replacement installations in metal jambs. The door strikes come equipped with a heavy duty latch spring and are made with a solid cast latch. The M-Series are corrosion resistant and have a fail-secure feature.

**M-20 Door Strike**

Use with locksets having up to 1/2" throw.

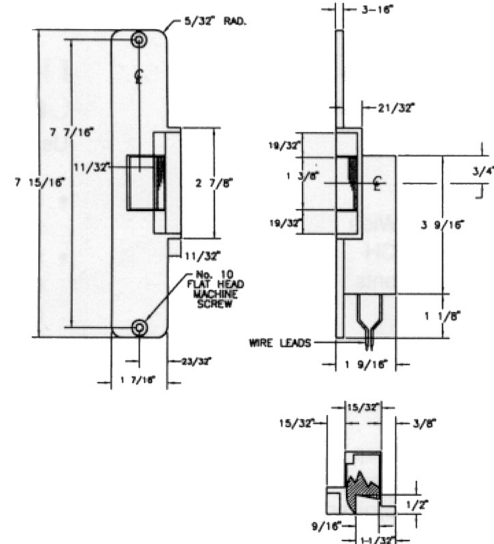
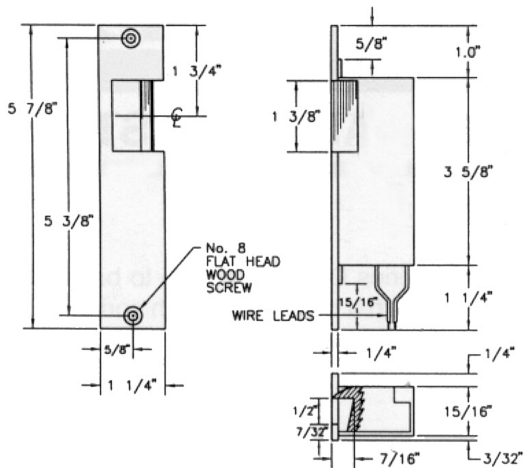
- **AUXILIARY LEVER RAMPS**
For locksets with auxiliary dead locking levers
- **SOLID CAST LATCH**
Cavity Measurements
Depth - 1/2";
Width - 9/16";
Height - 1 3/8"
- **HEAVY DUTY LATCH SPRING**
- **MORTISE TYPE**
Backset 1 9/16" Deep
- **FAIL-SECURE - (Standard Action)**
Unlocks when Energized
- **SATIN ZINC finish**
- **ELECTRICAL SPECS.**
Voltage: 8-16 AC/DC

CATALOG NUMBER 7900

NOT TO BE USED FOR INSTALLATION PURPOSES.

Mircom reserves the right to make changes at any time without notice in prices, colours, materials, components, equipment, specifications and models and also to discontinue models.

Compatible Locksets



M-10

Accurate	*66
Arrow	Comet, **150-750
Best	**52K-53K
Corbin	**5600
Dexter	Dexlock, **Duralock, Lifebolt
Dominion	**400, 5000
Falcon	A, BA, C, **E, **S
Harlock	HDCS Twin-Lock
Ilco	400
Kwikset	400, **500, 600
Lockwood	**S
National	400
PDQ	**SD, SS/SV
Russwin	S700
Sargent	**6G
Schlage	**A, F
Weiser	A, C, *E
Yale	5200, **5300

M-20

Accurate	66
Adams rite	4500
Arrow	Comet
Corbin	5700
Dexter	Dexlock
Dominion	5000
Falcon	*A
Harlock	HDCS
Ilco	400
Kwikset	400
National	400
PDQ	SS-SV
Russwin	5700
Schlage	F
Weiser	A
Yale	5200

NOT TO BE USED FOR INSTALLATION PURPOSES.



Canada
25 Interchange Way
Vaughan, Ontario L4K 5W3
Telephone: (905) 660-4655
Fax: (905) 660-4113

U.S.A.
4575 Witmer Industrial Estates
Niagara Falls, NY 14305
Toll Free: (888) 660-4655
Fax Toll Free: (888) 660-4113

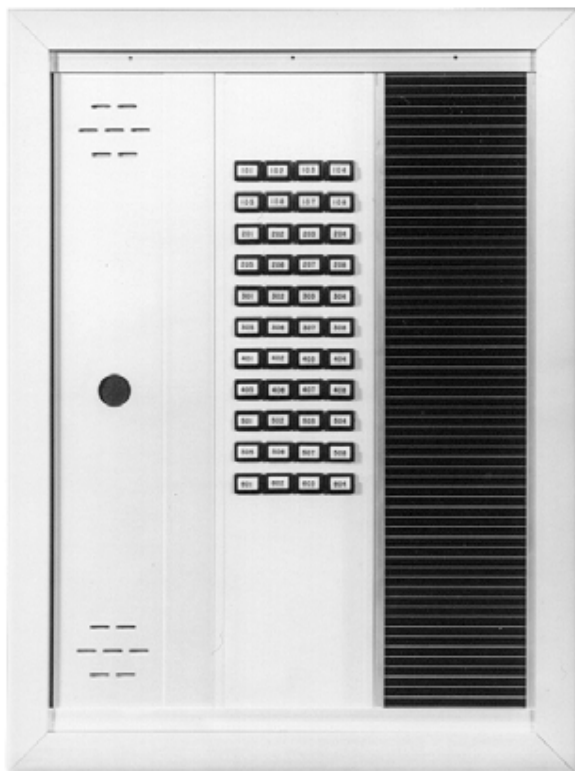
Web page: <http://www.mircom.com> Email: mail@mircom.com

Distributed by:

ISO 9001:2008
REGISTERED



CAT. 7900
Rev. 6



Description

Mircom the vanguard of communication systems and second to none, takes great pleasure in presenting its range of communication panels. The styling simplicity of these panels, especially designed to meet the requirements of contemporary building, will enhance the appearance of any apartment vestibule.

In its quest to meet the demands of architect and decorator, Mircom has created a wide selection of panels in various designs and colour schemes that will complement any decor. All panels are available in bronze, gold or black anodized finishes.

Mircom intercom systems are available with one-way Push-Button "Speaker Only Type" or two-way "Telephone Handset Type" communication stations. All systems are prewired with housing and interconnecting wiring available to suit individual specifications.

Building entrance panels are virtually tamper-proof with plexiglass covered nameplates - also featuring a Post Office Lock assembly. (Lock supplied by local Post Office)

Features

- Clean appearance is obtained from a unique locking design of the frame. No obtrusive fastening screws or bulking locks
- Amplifier Mounts provided by pre-drilled holes in backbox reduces installation costs
- Backboxes available to enable construction rough-in
- Weather resistant construction consists of a unique locking mechanism for the panels and speaker protection. A 16 AWG sheet of metal covers each speaker providing puncture protection

The N3000 Series entrance panels are custom assembled for apartment buildings of 16 or more suites. The ability to anodize the finish to bronze, gold and the recently popular brass finish provides a smart, contemporary panel. The series is compatible with all Mircom intercom systems or equipment and the modularized format permits flexibility in design and application of systems.

Rough-in Backboxes



KB-100 Series Flush Backboxes










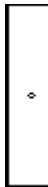
Made from satin finished steel, each backbox provide knockouts for electrical conduits and wire connections.

KB-300 Series Surface Backboxes

All the surface backboxes are made from painted black satin coated steel.

Model	Height	Width	Depth
KB-103	17.4"	12.5"	3.75"
KB-104	17.4"	16.5"	3.75"

* Frame exceeds wall opening dimensions by 1.25" all around.

S P E A K E R P A N E L S	For Standard Simplex Systems				
	 Speaker Panel Model N500-S	 Speaker Panel with Postal Lock Model N500-SP			
P A N E L S	For Duplex Handset Systems				
	 Speaker/Microphone Panel Model N500-SM	 Speaker/Microphone Panel With Postal Lock Model N500-SMP	 Handset Panel Model N500-SH	 Panel With Handset & Postal Lock Model N500-SHP	
F I L L E R S	 Pushbutton Panel Model 300-PXX The panel has provisions for 96 call buttons in multiples of four.	 Directory Panel Model 300-D60 The panel has provisions for 60 names to be typed. The name plates are covered by flame resistant lexan.	A C C E S S O R Y	 Blank Panel Model N500-SX	 Postal Lock Panel Model KM-P02 Panel will accommodate a crown lock obtained from the local post office.

Panel Configuration

Vestibule Panel Components												
# of Suites	1 Speaker Panel	2	3	4	5	6	7	8	9	10	Frame	Flush Backbox
0-16	N500-S	300-P16	300-D60								KF-103	KB-103
17-24	N500-S	300-P24	300-D60								KF-103	KB-103
25-32	N500-S	300-P32	300-D60								KF-103	KB-103
33-40	N500-S	300-P40	300-D60								KF-103	KB-103
41-48	N500-S	300-P48	300-D60								KF-103	KB-103
49-56	N500-S	300-P56	300-D60								KF-103	KB-103
57-64	N500-S	300-P64	300-D60								KF-103	KB-103
65-72	N500-S	300-P72	300-D60	300-D60							KF-104	KB-104
73-80	N500-S	300-P80	300-D60	300-D60	300-D60						KF-104	KB-104
81-88	N500-S	300-P88	300-D60	300-D60	300-D60	300-D60					KF-104	KB-104
89-96	N500-S	300-P96	300-D60	300-D60	300-D60	300-D60					KF-104	KB-104

* For handset systems, replace N500-S with N500-SM
 * For postal lock, add suffix "P" to speaker panel.

NOT TO BE USED FOR INSTALLATION PURPOSES.



Canada
 25 Interchange Way
 Vaughan, Ontario L4K 4L7
 Telephone: (905) 660-4655
 Fax: (905) 660-4113

U.S.A.
 4575 Witmer Industrial Estates
 Niagara Falls, NY 14305
 Toll Free: (888) 660-4655
 Fax Toll Free: (888) 660-4113

Web page: <http://www.mircom.com> Email: mail@mircom.com

Distributed by:

ISO 9001:2008
 REGISTERED



CAT. 7000
 Rev. 6



Description

Mircom the vanguard of communication systems and second to none, takes great pleasure in presenting its range of communication panels. The styling simplicity of these panels, especially designed to meet the requirements of contemporary building, will enhance the appearance of any apartment vestibule.

In its quest to meet the demands of architect and decorator, Mircom has created a wide selection of panels in various designs and colour schemes that will complement any decor. All panels are available in bronze, gold or black anodized finishes.

Mircom intercom systems are available with one-way Push-Button "Speaker Only Type" or two-way "Telephone Handset Type" communication stations. All systems are prewired with housing and interconnecting wiring available to suit individual specifications.

Building entrance panels are virtually tamper-proof with plexiglass covered nameplates - also featuring a Post Office Lock assembly. (Lock supplied by local Post Office)

Features

- Clean appearance is obtained from a unique locking design of the frame. No obtrusive fastening screws or bulking locks
- Amplifier mounts provided by pre-drilled holes in backbox reduces installation costs
- Backboxes available to enable construction rough-in
- Weather-resistant enclosure provided for indoor or outdoor use
- Vandal Resistant construction consists of a unique locking mechanism for the panels and speaker protection. A 16 AWG sheet of metal covers each speaker providing puncture protection

The N5000 Series entrance panels are custom assembled for apartment buildings of 16 or more suites. The ability to anodize the finish to bronze, gold and the recently popular brass finish provides a smart, contemporary panel. The series is compatible with all Mircom intercom systems or equipment and the modularized format permits flexibility in design and application of systems.

Rough-in Backboxes



KB-100 Series Flush Backboxes











Made from satin finished steel, each backbox provide knockouts for electrical conduits and wire connections.

KB-300 Series Surface Backboxes

All the surface backboxes are made from painted black satin coated steel.

Model	Height	Width	Depth
KB-103	17.4"	12.5"	3.75"
KB-104	17.4"	16.5"	3.75"

* Frame exceeds wall opening dimensions by 1.25" all around.

S P E A K E R P A N E L S	For Standard Simplex Systems				
	 Speaker Panel Model N500-S	 Speaker Panel with Postal Lock Model N500-SP			
P A N E L S	For Duplex Handset Systems				
	 Speaker/Microphone Panel Model N500-SM	 Speaker/Microphone Panel With Postal Lock Model N500-SMP	 Handset Panel Model N500-SH	 Panel With Handset & Postal Lock Model N500-SHP	
F I L L E R S	 Pushbutton Panel Model 500-PXX The panel has provisions for 96 call buttons in multiples of four.	 Directory Panel Model 500-D60 The panel has 60 useable lamacoid name plates. Each lamacoid strip can be engraved. The name plates are covered by flame resistant lexan.	A C C E S S O R Y	 Blank Panel Model N500-SX	 Postal Lock Panel Model KM-P02 Panel will accommodate a crown lock obtained from the local post office.

Panel Configuration

Vestibule Panel Components												
# of Suites	1 Speaker Panel	2	3	4	5	6	7	8	9	10	Frame	Flush Backbox
0-16	N500-S	500-P16	500-D60								KF-103	KB-103
17-24	N500-S	500-P24	500-D60								KF-103	KB-103
25-32	N500-S	500-P32	500-D60								KF-103	KB-103
33-40	N500-S	500-P40	500-D60								KF-103	KB-103
41-48	N500-S	500-P48	500-D60								KF-103	KB-103
49-56	N500-S	500-P56	500-D60								KF-103	KB-103
57-64	N500-S	500-P64	500-D60								KF-103	KB-103
65-72	N500-S	500-P72	500-D60	500-D60							KF-104	KB-104
73-80	N500-S	500-P80	500-D60	500-D60	500-D60						KF-104	KB-104
81-88	N500-S	500-P88	500-D60	500-D60	500-D60	500-D60					KF-104	KB-104
89-96	N500-S	500-P96	500-D60	500-D60	500-D60	500-D60					KF-104	KB-104

* For handset systems, replace N500-S with N500-SM
 * For postal lock, add suffix "P" to speaker panel.

NOT TO BE USED FOR INSTALLATION PURPOSES.

 **Mircom**[™]
Canada
 25 Interchange Way
 Vaughan, Ontario L4K 4L7
 Telephone: (905) 660-4655
 Fax: (905) 660-4113

U.S.A.
 4575 Witmer Industrial Estates
 Niagara Falls, NY 14305
 Toll Free: (888) 660-4655
 Fax Toll Free: (888) 660-4113

Web page: <http://www.mircom.com> Email: mail@mircom.com

Distributed by:

ISO 9001:2008
 REGISTERED 

CAT. 7100
 Rev. 5

4-WIRE SUITE STATIONS



Mircom provides reliable and dependable entrance automation for multi-unit apartments. The four wire simplex system is easy to install thus greatly reducing installation cost. Since the system doesn't use the public phone lines no subscription services are incurred.

New or existing buildings can easily be adapted to Mircom's system since 4 wires (3 common + 1 selective ring wire) is all that is needed. Depending on installation, it may be possible to use the existing lobby panel. Contact our technical service department for details.

IS-489 Single Gang Suite Station

Surface mountable, IS-489 suite station is designed to mount onto standard single gang electrical boxes. Contemporary white finish styling, blends with modern suite interiors. Clear audibility is accomplished using a 2" speaker. P.C.B. mounted switches and terminals ensure solid connections.

Dimensions: 152mm(l) x 102mm(w) x 25mm(d)
(6.0(l) x 4.0(w) x 1.0(d))

Backbox: Standard Single Gang Box



IS-489-1 Four Button Station

Similar to the IS-489 with addition of one button. The additional button primary application is to call the central office or superintendent station.

Dimensions: 152mm(l) x 102mm(w) x 25mm(d)
(6.0"(l) x 4.0(w) x 1.0"(d))

Backbox: Standard Single Gang Box



IS-51-2 Economical Dual Gang Station

Rugged IS-51-2 suite stations are made from stainless steel and mount to the standard dual gang electrical boxes. All switches and speaker connections are printed circuit board mounted to ensure long term reliability.

Dimensions: 115mm(l) x 115mm(w)
(4.5"(l) x 4.5"(w))

Backbox: Standard Dual Gang Electric Box



IS-401B Horizontal Suite Station

Retrofit station for older apartment intercom systems using a horizontal apartment station. Station must be used with the IB-10A plaster ring or IB-2A Backbox.

Dimensions: 133mm(l) x 203mm(w) x 13mm
(from wall surface)

Backbox: IB-2A Metal Backbox



IS-51-3 Vandal Resistant Station

On the IS-51-3 suite station, all the push buttons are metal to withstand abuse. Similar to the IS-51-2 station all components are P.C.B. mounted.

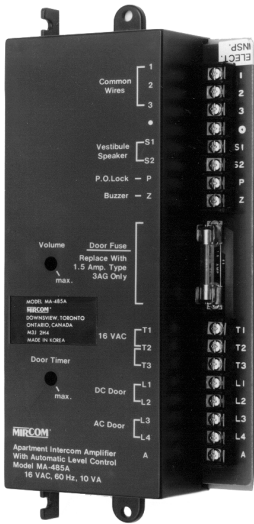
Dimensions: 115mm(l) x 115mm(w)
(4.5"(l) x 4.5"(w))

Backbox: Standard Dual Gang Electric Box

CATALOG NUMBER 7605

NOT TO BE USED FOR INSTALLATION PURPOSES.

Mircom reserves the right to make changes at any time without notice in prices, colours, materials, components, equipment, specifications and models and also to discontinue models.

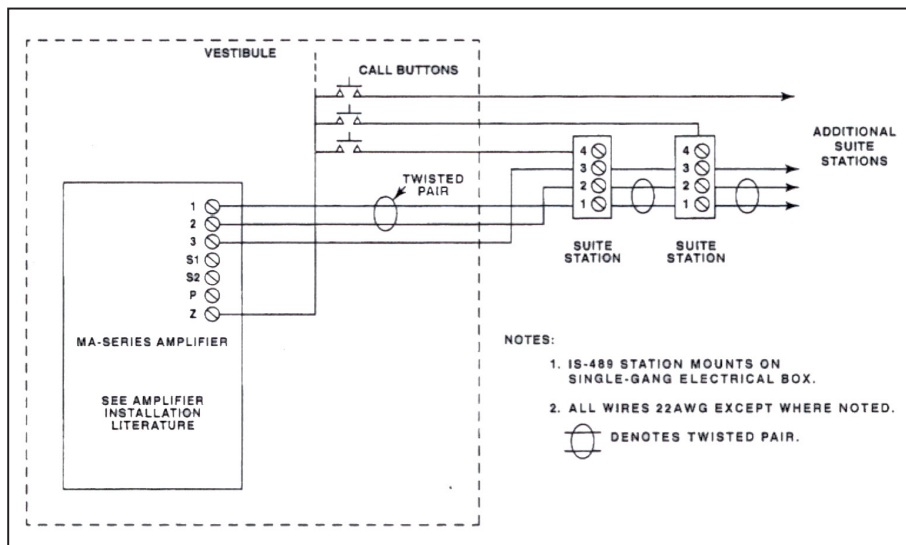


MA-485A Intercom Amplifier

The MA-485A amplifier provides audio amplification, control and power needed to operate an apartment intercom system. Extensive tests were performed to develop a reliable, long lasting intercom amplifier with precision amplifier circuits to provide crystal clear audio reception. Mircom's amplifier uses an automatic level control (ALC) circuit to ensure voice intelligibility. Built-in features include: timed door release silent door release and post lock release.

Easy To Use:

A site station in each apartment allows the tenant to be called from and converse with the visitor in the vestibule. A visitor presses the appropriate call button to transmit a call tone through the suite station. The tenants answer the call by alternately pressing the 'Talk' and 'Listen' buttons to converse with the visitor. After verifying the visitor's identity, the tenant may admit the visitor by momentarily pressing the button marked "door" which triggers the electric door strike.



Wiring diagram shown illustrates typical single entrance application.

Ordering Information

Model	Description
IS-489	3 Button Single Gang Suite Station
IS-489-1	4 Button Station Single Gang Suite Station
IS-51-2	Economical Dual Gang Station
IS-51-3	Vandal Resistant Station
IS-401B	Horizontal Suite Station
MA-485A	Intercom Amplifier

NOT TO BE USED FOR INSTALLATION PURPOSES.



Canada
 25 Interchange Way
 Vaughan, Ontario L4K 5W3
 Telephone: (905) 660-4655
 Fax: (905) 660-4113

U.S.A.
 4575 Witmer Industrial Estates
 Niagara Falls, NY 14305
 Toll Free: (888) 660-4655
 Fax Toll Free: (888) 660-4113

Web page: <http://www.mircom.com> Email: mail@mircom.com

Distributed by:

ISO 9001:2008
 REGISTERED



CAT. 7605
 Rev. 8

Property Management Software

Emergency Calling Systems



Model shown: EC-300 Annunciator panel with EC240 Monitoring panel in a 301-2F frame

Description

Mircom's EC-300 system fulfils the demands of modern health care or washroom alert applications. The simple operation of Mircom's EC-300 makes it easy to use without the need for extensive training.

A basic system consists of pull cord, or push cord calling stations, a central nurse station, dome lights with possible central corridor horns and duty stations.

Emergency calls are placed from designated EC-103/115 Pull/ Push Cord stations which are distinctly identified by the flashing suite dome light and central annunciator suite LED. The Central Nurse's station will sound a fast pulsing alert tone and trigger any corridor horns that are connected.

All tones may be silenced but the alarm can only be reset from the station that initiated the call. If the nurse fails to respond to the call within a preset period, the tones will re-initiate.

Normal calls are placed from a Call Station which are

Features

- **UL 1069 Listed**
- **Multiple Audible/Visual Alarm States**
Three alarm conditions are available on the EC-300 system; fast, slow and steady. Each can be programmed for distinguishing calls for Emergency, Normal Patient calls or Door Alarm.
- **Remote Duty Stations**
Remote Duty Stations may be added to the system to provide signal silence and remote alarm annunciation.
- **Subsequent Alarm**
Using Mircom's EC-103 Pull Cord Stations, it is possible to silence an alarm call and have subsequent alarms re-trigger the audible alarm.
- **Common Alarm Contact**
Common alarm contacts are available for central peripheral alarm devices.
- **Remote Signalling and Control Outputs**
Connections can be made to the central control unit to remotely annunciate alarm calls and initiate signal silence.
- **Modular Design**
Easily expandible, the EC-300 system uses add-on annunciator panels. The modular construction easily facilitates custom applications.

distinctly identified by the slow flashing suite dome light and central annunciator LED. Similar silencing capabilities for emergency calls are provided for normal calls.

When duty stations are used, the system may be remotely silenced and monitored for alarm calls.

The EC-300 System is the most economical, multi-state call system. The system incorporates LED annunciator panels, pull/push cord stations, corridor lights, and duty stations. All these components provide the common features and functions most nurses and administrators feel are necessary.



UL 1069 Listed E200159

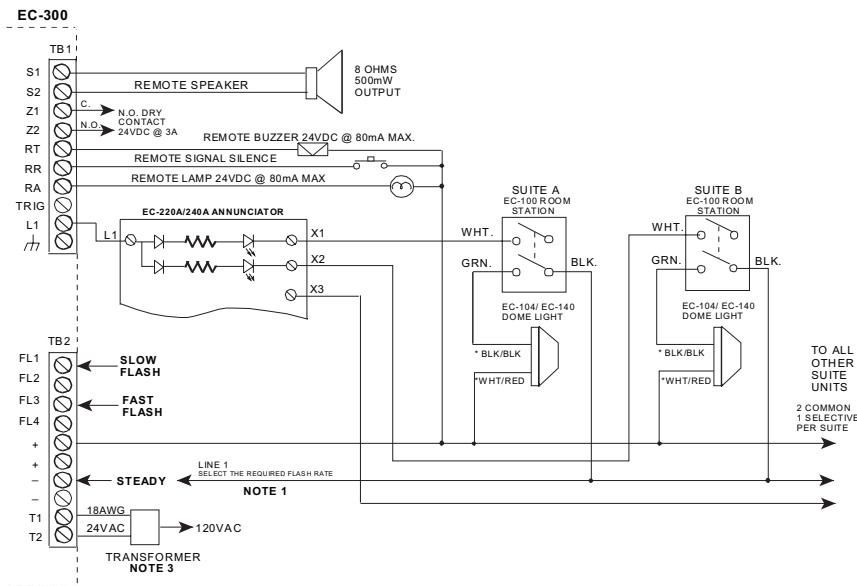
CATALOG NUMBER 9000

NOT TO BE USED FOR INSTALLATION PURPOSES.

Mircom reserves the right to make changes at any time without notice in prices, colours, materials, components, equipment, specifications and models and also to discontinue models.

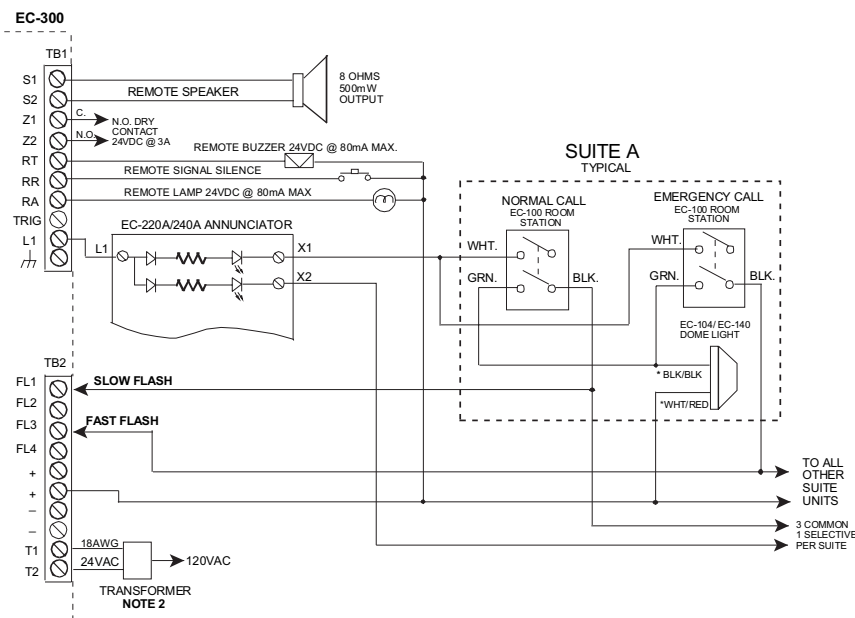
Single State Alarm

The wiring diagram illustrates a typical single state alarm system. A call placed from an EC-100 Pull Cord Station will trigger an audible and visual alarm. Selecting the appropriate terminals on the EC-300 will provide fast or slow flashing alarm conditions. Resetting all alarm calls can only be accomplished at the point of activation. A momentary silence button is provided on the EC-300 to silence all audible devices.



Dual State Subsequent Alarm

The wiring diagram illustrates a typical dual state alarm system with subsequent alarm capability. An alarm initiated from an EC-103 pull cord station designated as a 'normal' station shall pulse a slow audible and visual signal. An EC-103 Pull Cord station designated as an 'emergency' station shall pulse a fast audible and visual signal. Alarms silenced at the EC-300 shall be re-initiated upon receiving a subsequent call. Only the audible signals can be silenced. All visual indicators shall remain until the initiating pull cord station is reset. Further visual aids can be added to change all emergency calls to flash a red dome corridor lamp (see factory for details).



EC Components



EC-220A

Central Monitoring Panel

The Central Monitoring Panel consists of an EC-300 Call Receiver module, EC-220A/240A annunciator module(s) and a 300-nF frame housing.

The EC-300 provides all the controls, audible and visual alarm signalling for the system. An audio amplifier provides all the audible tones through a built-in speaker and the exterior audio ports (S1, S2). A silence button on the EC-300 silences all incoming calls. A DIP switch can program the silence function to be latching or recall after a fixed period of time (2.5, 5 or 10 minutes). External ports are provided for remote monitoring, audible signals and common alarm annunciators. Typically only one EC-300 Call Receiver module is required per system. The EC-300 is designed to withstand transient or electrical noise.

Dimension: 121 mm (w) x 300 mm (h)
[4.875' (w) x 12' (h)]



EC-240A



EC-300 Central Annunciator Panel

Mircom's EC system uses solid state red LEDs for zone annunciation. Two annunciator modules are provided for a 20 (EC-220A) and a 40 (EC-240A) zone capacity. These modules can be ganged together to provide any multiple of 20 zones. A protective strip of plexiglass covers the paper directory.

Dimension: 121 mm (w) x 300 mm (h)
[4.875' (w) x 12' (h)]



CC96-010 Push Cord Set

The 1.8 m (6 feet) cord set uses a momentary red button switch to place all calls. All cords come with a linen bed clip.



301-2F

Frames and Backboxes

The Central Monitoring panel is made up of various modules which can be ganged together. The frames have an incremental size to accommodate the various modules. Made from brushed anodized aluminium, the 300-nF frames give a clean durable finish. All frames can be flush or surface mounted, dependant on the backbox used.

Frame	Description	Backbox Flush	Wall Opening Dimensions
301-1F	Accommodates 1 module	301-1B	335 mm (h) x 152 mm (w) x 108 mm (d) [13 3/16" (h) x 6" (w) x 4 1/4" (d)]
301-2F	Accommodates 2 module	301-2B	335 mm (h) x 270 mm (w) x 108 mm (d) [13 3/16" (h) x 11" (w) x 4 1/4" (d)]
301-3F	Accommodates 3 module	301-3B	335 mm (h) x 403 mm (w) x 108 mm (d) [13 3/16" (h) x 15 7/8" (w) x 4 1/4" (d)]



Pull Cord Stations

Mircom Pull Cord Stations are made from durable brushed stainless steel single gang plates. Each pull cord is 1.8 m (6 feet) in length with a white pendant at the end. All stations use UL approved 125 VAC, 3A slide switches. The standard single gang electrical boxes are not supplied with the units.

EC-100

The EC-100 Pull Cord Station has a DPDT slide switch for basic alarm systems.

EC-103

The EC-103 Pull Cord Station has a red LED indicator. A TPDT slide switch on the station provides subsequent and dual alarm state operation.





EC-115 Cord Set Station

Designed to utilize various cord sets for initiating a call, the EC-115 station can accommodate a 1/4" diameter cord set. A local reset button is provided on each station and a red confirmation LED. Removal of any cord set shall also trigger a call.



AS-084A Duty Station

To annunciate common alarms a duty station can be used. Made stainless steel single gang electrical plates, the AS-084A is durable to abrasive cleaning agents. A remote silence button on the station shall silence all audible signals. A local piezo alert on the station announces any incoming calls.



EC-104 & EC-106 Corridor Dome Lights

The Corridor Lamps (EC-104, EC-106) mount to a standard single gang electrical box. Each lamp is made from a brushed stainless steel plate.

The EC-104 is a single lamp while the EC-106 is a dual lamp. A partition inside the translucent white lens separates the two lamps from top and bottom. Special coloured bulb covers can provide additional visual distinction. (eg. red, yellow, blue, etc.)



EC-116 Emergency Push Button Station

For Emergency Notifications a push button station can be used. Pressing the button causes an orange indicator to appear and a signal to be sent to the EC-300. Depressing the button causes the signal to cease and removes the orange indicator.



DA-100A Door Alarm Station

provides peripheral exit security for any facility. Each station can monitor normally open (N.O.) or normally closed (N.C.) contacts. Ideal for nursing homes, the DA-100A can interface with Mircom's Emergency Call Systems.

A Central Monitoring Panel consisting of the EC-300 Call Receiver Module, EC-220A or EC-240 Annunciator Module.

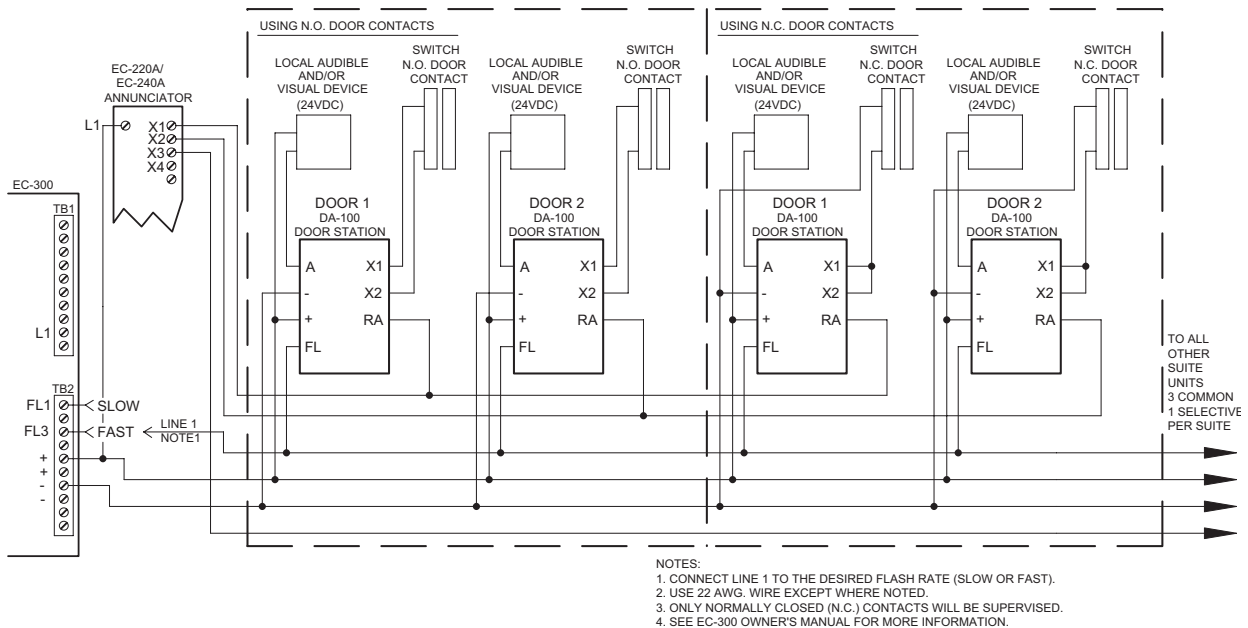
Module shall provide audible and visual annunciation for a multitude of DA-100A stations. A 24 VDC output is provided on each station for local audible and/or visual indicators.

A durable design, the DA-100A is made from stainless steel and uses solid state electronics.

Features

- Keys which are difficult to duplicate
- Form C, 3 ampere relay
- Single gang, stainless steel face plate
- Yellow Status Indicator
- Red Armed Indicator
- Local audible and visual output provided (24VDC)

DA-100A Wiring Diagram



Ordering Information

Model	Description
EC-220A	20 LED Annunciator panel with a directory
EC-240A	40 LED Annunciator panel with a directory
EC-300	Central Call Receiver Panel
301-1F	Single Panel Frame
301-2F	Two Panel Frame
301-3F	Three Panel Frame
301-1B	Backbox for 301-1F
301-2B	Backbox for 301-2F
301-3B	Backbox for 301-3F
TR-074B	24 VAC, 75 VA Transformer
EC-105A	Stainless Steel Dual Gang Horn, 24V AC/DC
AS-084A	Remote Signal Silence Station with Audible Buzzer
EC-100	Single Gang Pull Cord Station
EC-103	Single Gang Pull Cord Station with LED
CC96-010	Push Cord Set, 6 feet
EC-115	Push Cord Station w/Confirmation LED
EC-116	Emergency Push Button Station
EC-104	Corridor Dome Light
EC-106	Dual Corridor Dome Light
EC-140	Corridor Light and Audible Signal Unit
DA-100A	Door Alarm Station
PS-3B	24VAC Transformer

NOT TO BE USED FOR INSTALLATION PURPOSES.



Canada

25 Interchange Way
 Vaughan, Ontario L4K 5W3
 Telephone: (905) 660-4655
 Fax: (905) 660-4113

U.S.A.

4575 Witmer Industrial Estates
 Niagara Falls, NY 14305
 Toll Free: (888) 660-4655
 Fax Toll Free: (888) 660-4113

Web page: <http://www.mircom.com>

Email: mail@mircom.com

Distributed by:

ISO 9001:2008
 REGISTERED



CAT. 9000
 Rev. 6

Security & Access Control

Door Controllers



Description

Mircom's TX3-CX-2K-A is a powerful hybrid IP and RS-485 networked two door controller that will manage up to 126 doors using the RS-485 network. Use TCP/IP and the system is virtually unlimited. Simply add a TX3-IP module to the panel for TCP/IP networks. The TX3-CX-2K-A Kit comes complete with one TX3-CX controller, two TX3-P300-HA readers, a configurator software on a flash memory stick and a USB cable for programming.

TX3-CX-2-A Door Controller

The TX3-CX-2-A controller has a unique feature of being compatible to the entire family of TX3 platform solutions from voice entry, elevator restriction and wireless Aperio locksets. Unlike other platforms, the TX3 will meet the basic job requirements and accommodate other elements of an intelligent building as the needs arise.

TX3-P300-HA Proximity Reader

The access control kit includes two TX3-P300-HA proximity card readers that deliver exceptional value without compromise on quality, durability, and performance. The TX3-P300-HA proximity card reader comes in an attractive, slim line dark grey enclosure. The reader may be mounted on a metal door frame, a window mullion or directly to an interior or exterior wall or cabinet.

The electronics of the TX3-P300-HA reader are encapsulated in a UL approved epoxy resin potting compound to seal them against adverse environmental conditions. The TX3-P300-HA proximity card readers are metal compensated, resulting in minimal loss of read range and provide ease of installation in various door access applications.

Feature/Benefits

- A hybrid architecture that combines the best of TCP/IP and RS-485. All panels can networked via RS-485 or TCP/IP.
- 8 supervised inputs for a wide selection of monitoring points to be shared between the two card readers
- 8 programmable outputs; 6 are Form C contacts (normally open/normally closed), two provide 12 VDC power for up to 1 amperes of current combined
- Supports all credential formats such as clamshell cards, graphic cards, key tags and wafers (ordered separately)
- Optional vehicular control using dual technology wireless transmitters that can have a built-in proximity coil (wafer)
- Unified database for TX3 voice entry and card access systems reduces administration time and support
- A variety of options to remotely manage the TX3 access panel to fit the site requirements. A modem, a TCP/IP module or use a local USB extender to a PC
- High level features include:
 - High Security
A convenient feature enabling the user to perform 'emergency lock down' or 'emergency evacuation' by swiping an ID card four times in front of a reader to lock or unlock all doors
 - Soft Anti-Pass Back
This function prevents the buddy system by requiring the user to use an exit reader before using an entry reader up to 900 seconds.
 - Mantrap/Interlocking Doors
This feature monitors and controls access to a high value or critical security area by ensuring one door is locked before opening the second door
 - Delayed Egress
This feature requires a user to press and hold a request to exit bar/button before releasing the door enabling security to respond before releasing the door
- Compatible to any Wiegand reader technology including Mifare, biometric, proximity and iClass
- Elevator Control for up to 96 floors to restrict users to specific floors

Access Control Panels



TX3-CX-2K-A Two Door Controller Kit

- Comes complete with;
- Two door controller
 - Two mullion mount card readers
 - System software configurator
 - USB cable for connection to PC



TX3-CX-2-A Two Door Controller

A two door controller with system software and a USB cable.

Dimensions:

14" (h) x 12" (w) x 2.8" (d) / 356 mm (h) x 305 mm (w) x 71mm (d)

Readers

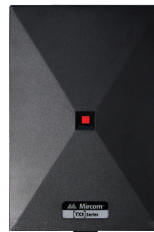


SR-2400-GR-MP Mullion Mount Reader

The SR-2400-GR-MP is designed to fit on a 1 3/4" standard metal door or window frame. A metal compensation feature ensures minimal read range loss when the reader is mounted on metal. The readers low profile design esthetically blends to any indoor or outdoor wall surface by two mounting screws.

Voltage: 5 to 12 VDC

Dimension:
4.5 x 1.8 x 0.70 inch (11.4 x 4.5 x 1.8 cm)



TX3-P500-HA Single Gang Mount Reader

The TX3-P500-HA is a switch plate reader designed to easily mount directly on a single gang box with a read range of up to 8 inches (20 cm).

Voltage: 5 to 16 VDC

Dimension:
4.6 x 3.1 x 0.36 inch (11.7 x 7.7 x 0.9 cm)



TX3-P640-H-A Keypad with Proximity Reader, Single Gang Mount

The TX3-P640-H-A is a combined proximity reader with 12 button keypad designed to fit directly on a single gang box. The TX3-P640-H-A is ideal for dual authentication for high security requirements or where a convenient PIN access would be required.

Voltage: 5 to 16 VDC

Dimension:
4.6 x 3.0 x 0.4 inch (11.7 x 7.7 x 1.0 cm)



TX3-P300-HA Mini Mullion Mount Reader

The TX3-P300-HA is used for indoor or outdoor applications for up to 6 inch read range.

Voltage: 5 to 16 VDC

Dimension:
3.2 x 1.7 x 0.7 inch (8.0 x 4.3 x 1.7 cm)



TX3 Credentials

A full complement of credential styles.

TX3-WRR-22

Dual Channel receiver compatible to TX3-WRT-2H two button transmitters.

Elevator Restriction

Elevator control is ideal for mixed use buildings where retail and residential access share common elevators. With our TX3-ER-8-A elevator control the user can restrict access to each card holder to specific floor or floors.

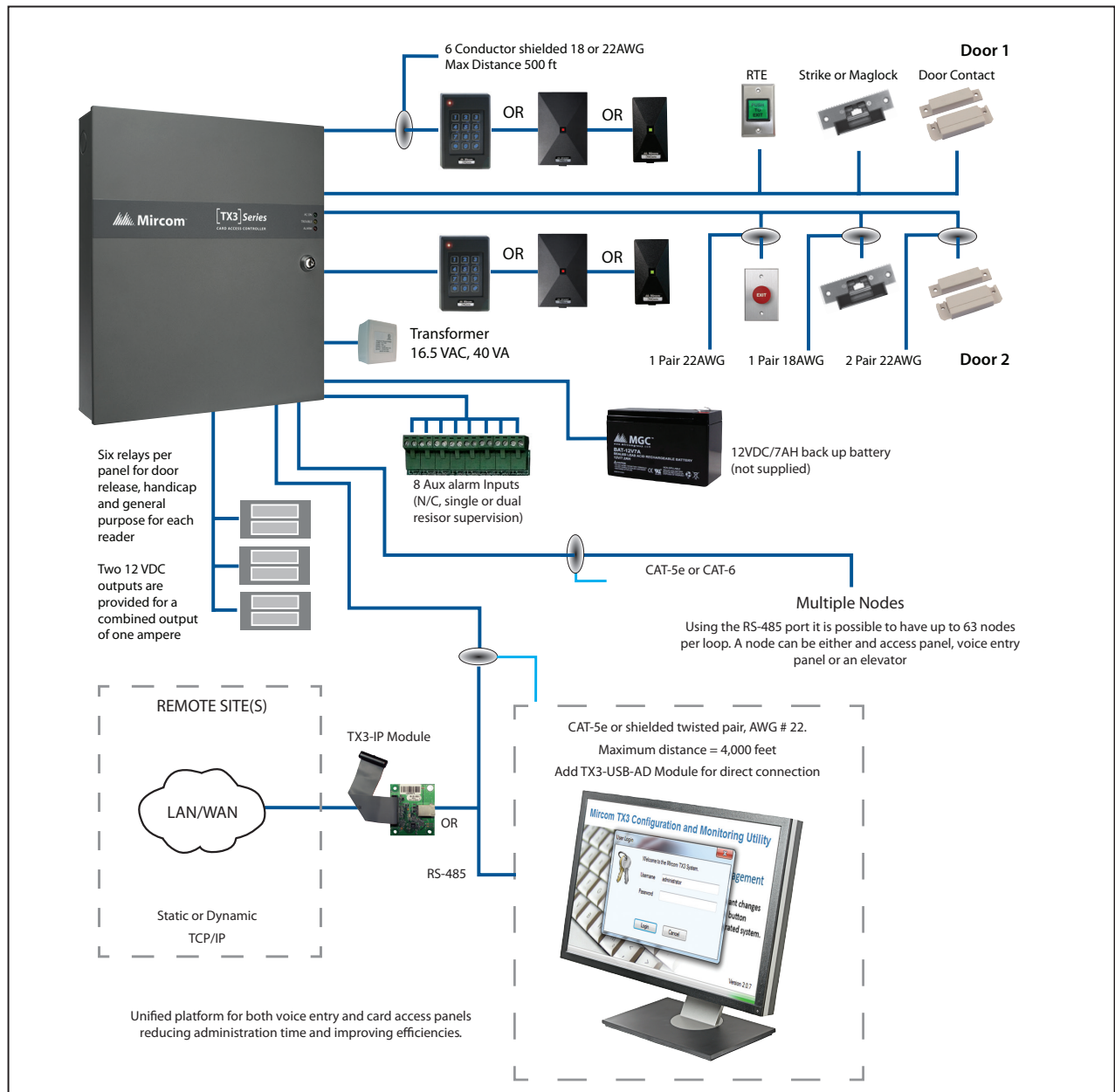
The TX3-ER-8-A provides access to one or several floors up to 96 floors or doors, using 2012E relay cards. Typically, a user presents his card to the card reader in the cab, the relays assigned to the card will trip and provide activation to the floor buttons in the elevator cabin and the user can select from the floors he has been granted access to.

TX3-ER-8-A Elevator Restriction Cabinet
2012E Twelve Unit Elevator Restriction Card

PC Requirements

- Dual core processor, 1 GHz
- 1 GB RAM
- 600 MB disk space
- Windows XP SP2/Vista/Windows 7/8, 32 or 64 bit
- USB Connection

TX3 Two Door Controller Wiring



Ordering Information

Model	Description
TX3-CX-2K-A	Two Door Access Control System Kit c/w one TX3-CX Door Controller, two proximity card readers (TX3-P300-HA), transformer, two graphic cards, Configurator software and a USB cable. Battery. For Battery Back-up, add one 12 VDC battery, 5 Ah or 7 Ah.
TX3-CX-2-A	Two Door Controller in a grey metal lockable cabinet including a 16VAC, transformer, software and USB cable. Battery Back-up: Add one 12 VDC battery, 5 Ah to 7 Ah.
Readers	
SR-2400-GR-MP	Mullion Mount Reader, 125 KHz, 5 to 12 VDC. Dimensions: 4.5 x 1.8 x 0.70 inch (11.4 x 4.5 x 1.8 cm)
TX3-P500-HA	Single Gang Mount Reader, Grey, 125 KHz, 5 to 16 VDC, Dimensions: 4.6 x 3.1 x 0.36 inch (11.7 x 7.7 x 0.9 cm)
TX3-P300-HA	Mini Mullion mount, 125 KHz, 5 to 16 VDC, Dimensions: 3.2 x 1.7 x 0.7 inch (8.0 x 4.3 x 1.7 cm)
TX3-P640-H-A	Keypad with Proximity Reader, Single gang mount, 5 to 16 VDC. Dimensions: 4.6 x 3.0 x 0.4 inch (11.7 x 7.7 x 1.0 cm)
39201237	A solid aluminum, tamper resistant, single gang mount keypad, IP68 rated with audible/visual feedback. Operating Temperature: 32°F to 257 °F (-40°C to 125°C)
TX3-WRR-22	Dual Channel Receiver for use with TX3-WRT-2H
TX3-WRR-44	Wiegand Receiver for use with TX3-WRT-4H four button transmitters.
Credentials	
CS-MIR-0-0	Clam Shell Proximity card with slot for portrait orientation strap. Accepts photo ID overlay. Packaged in quantities of 25 pieces.
GR-MIR-H-26 GR-MIR-H-37	Graphics Card for printing on both sides. Provision for portrait or landscape card slot punching. Packaged in quantities of 50 pieces. Available in 26-bit format GR-MIR-H-26 and Mircom format GR-MIR-H-37.
TX3-PDT-H-37	Adhesive proximity disc tag, HID supported, 125 KHz, Mircom format.
PW-MIR-0-0	Proximity Wafer with adhesive backing. One inch (2.54 cm) diameter. Packaged in quantities of 10 pieces.
KT-MIR-0-0	Key tag for key ring. Durable ABS plastic case to withstand years of abuse. Packaged in quantities of 10 pieces.
TX3-WRT-2H	Two Button transmitter with HID supported proximity tag.
TX3-WRT-4H	Four Button transmitter with HID supported proximity tag.
Accessories	
TX3-IP	Add-on TCP/IP Module fits on top of the TX3-CX-2K-A or TX3-CX-2-A motherboard
TX3-MDM	Modem module mounts onto control panel board
TX3-DATA-MDM	Modem USB 2.0 stick, one required per PC. Compliant with V.92, V.90 and V.44
TX3-USB-AD	USB to RS-485 Adaptor kit includes an MD-993 module and mounting hardware
Batteries	
BAT-12V5A	Battery, 12 VDC, 5 AH, one required per TX3-CX Control panel
BAT-12V7A	Battery, 12 VDC, 7.2 AH, one required per TX3-CX Control panel

NOT TO BE USED FOR INSTALLATION PURPOSES.



Canada
25 Interchange Way
Vaughan, Ontario L4K 5W3
Telephone: (905) 660-4655
Fax: (905) 660-4113

U.S.A.
4575 Witmer Industrial Estates
Niagara Falls, NY 14305
Toll Free: (888) 660-4655
Fax Toll Free: (888) 660-4113

Distributed by:

Web page: <http://www.mircomgroup.com> Email: mail@mircomgroup.com

ISO 9001:2008
REGISTERED



CAT. 6545
rev4



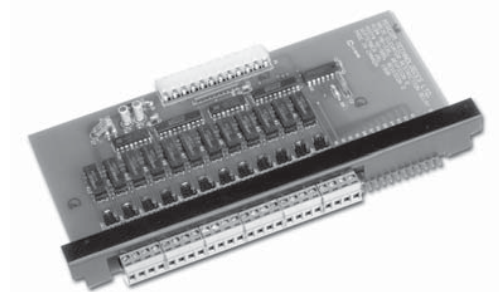
Features

- Allows visitor limited access into the building
- Provides time dependent relay contacts that can be used for either elevator control or video control
- User selectable timer for relay contacts can be set for each TX3-ER-8 Elevator Restriction Unit at each Entry Panel
- Used with any TX3 Series Lobby unit
- Each relay card supports up to 12 floors
- Master relay cabinet supports up to eight relay cards

TX3-ER-8 Elevator Restriction Unit

The TX3-ER-8 Elevator Restriction Unit allows the visitor limited access into a building. The TX3-ER-8 Elevator Restriction Unit comes complete with a cabinet, the Main Elevator Restriction Controller Board, the Elevator BackPlane and one PS-4P transformer. The TX3-ER-8 supports up to eight 2012E Elevator Restriction Relay Cards for a total of 96 elevator restriction relays. The TX3-ER-8 Elevator Restriction Unit provides time dependent relay contacts which can be used for either elevator control or video control.

Dimensions:
TX3-ER-8 27"H x 10 1/8"W x 6 3/8"D



2012E Elevator Restriction Relay Card

The 2012E Elevator Restriction Relay Card plugs into the Backplane portion of the TX3-ER-8 Elevator Restriction Unit. Each 2012E has 12 Form "A" or "B" (Each is Jumper selectable as Normally Closed or Normally Open) Relay contacts rated at 28 VDC, 0.5 ampere. A total of eight 2012E Elevator Restriction Relay Cards mount into each TX3-ER-8 Unit for a total of 96 elevator restriction relays.

Ordering Information

Model	Description
Relay Cabinet	
TX3-ER-8	Elevator Restriction Relay Cabinet
Relay Card	
2012E	Elevator Restriction Relay Card for 12 floors

NOT TO BE USED FOR INSTALLATION PURPOSES.



Mircom[™]

Canada
25 Interchange Way
Vaughan, Ontario L4K 5W3
Telephone: (905) 660-4655
Fax: (905) 660-4113

U.S.A.
4575 Witmer Industrial Estates
Niagara Falls, NY 14305
Toll Free: (888) 660-4655
Fax Toll Free: (888) 660-4113

Web page: <http://www.mircom.com> Email: mail@mircom.com

Distributed by:

ISO 9001:2008
REGISTERED



CAT. 6532
Rev. 1



Description

AWID's Sentinel-Prox[™] Proximity Reader SP-6820-GR-0 is specially suited for applications where a discriminating look makes a difference. An attractive package which looks great outside the boardroom or at the front gate in the rain or snow. With a read range of 6 to 8 inches, the SP-6820-GR-0 delivers exceptional value without compromise on quality, durability, or performance for both indoor and outdoor applications.

The SP-6820-GR-0 reader is a fully featured Wiegand and RS-232 compatible reader with an LED and Annunciator for both small and large installations. It is designed to mount on a standard-single-gang electric wall-box or on the surface of an interior or exterior wall.

The SP-6820-GR-0's attractive enclosure comes in a dark gray color. The SP-6820-GR-0's electronics and antenna are encapsulated in an UL-approved epoxy resin potting compound to seal them against adverse environmental conditions.

When a valid card/tag is presented within the reader's field, the reader's LED momentarily turns AMBER and beeper sounds to indicate that a data transmission took place. If the card/tag stays within the reader's field, the LED will blink RED/GREEN to indicate that the reader is functioning properly.

The reader has a re-present mode in which the card must be taken from the reader field before being read again. This feature eliminates multiple reads from a single card presentation.

Features

- Read range of 6 to 8 inches
- Specially designed for attractive appearance
- Multi-protocol AWID and or HID
- Electronics potted with epoxy compound for demanding environmental applications
- LED for visual feedback, Piezo beeper for audio feedback
- Compatible with all Wiegand access control systems
- Industry standard Wiegand (26 to 50 bit) output and RS-232 interface
- Attractive high-tech enclosure with dark gray color

Benefits

- Ease of use and entry. Assures long life of cards by eliminating need to physically swipe card against reader
- Elegantly and beautifully mounted
- Reader electronics protected against application elements to assure long reader life
- Visual and Audible indicators providing dependable user feedback and guidance for quick and easy installation
- Wiegand output allows use of multiple control panels allowing stocking of one reader for all applications and credential requirements

Specifications

Performance Characteristics

Read Range:

6-8 inch (15.2- 20.3 cm)

Transmitting Frequency:

125 kHz

Voltage:

5-12V DC

Current:

50-80 mA

Audio alarm:

4 kHz burst

Communication protocol:

Wiegand, with interface length up to 500 ft and RS-232

Data Format:

Configurable 26 bit to 50 bit (determined by code in credentials)

Cable to Controller (Wiegand interface):

5 conductors stranded #22AWG, color-coded insulation, overall 100% shield

Physical Characteristics

Dimensions:

3.1 x 4.6 x 0.65 in (7.9 x 11.7 x 1.7 cm)

Weight:

8 oz (227 g)

Color:

Dark Gray

Environmental

Operating Temperature:

-31F° to 150°F (-35 °C to 65 °C)

Operating Humidity:

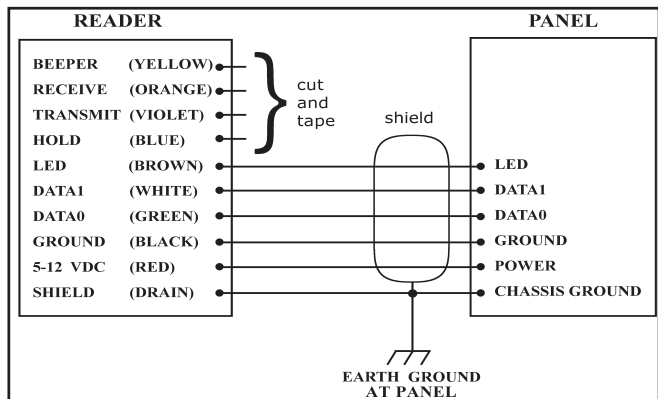
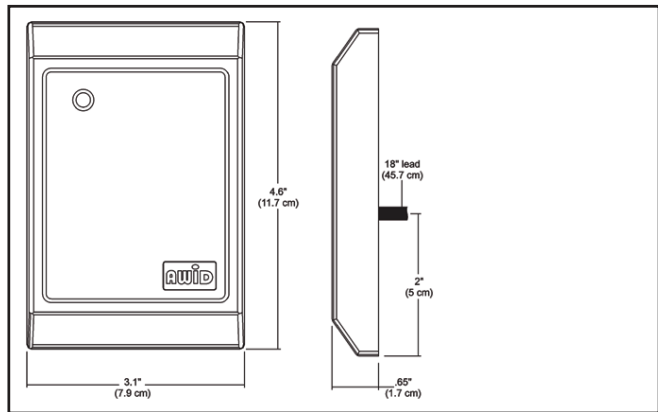
0-95% non-condensing

Regulatory:

FCC Part 15

Industry Canada

UL Listed



Ordering Information

Model	Description
SP-6820-GR-0	Sentinel-Prox Proximity Reader, Gray

NOT TO BE USED FOR INSTALLATION PURPOSES.



Canada

25 Interchange Way
Vaughan, Ontario L4K 5W3
Telephone: (905) 660-4655
Fax: (905) 660-4113

U.S.A.

4575 Witmer Industrial Estates
Niagara Falls, NY 14305
Toll Free: (888) 660-4655
Fax Toll Free: (888) 660-4113

Web page: <http://www.mircom.com>

Email: mail@mircom.com

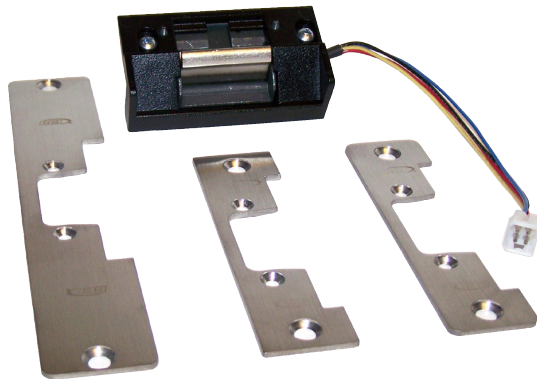
Distributed by:

ISO 9001:2008
REGISTERED



CAT. 6536
Rev. 0

S65U SERIES ELECTRIC STRIKE



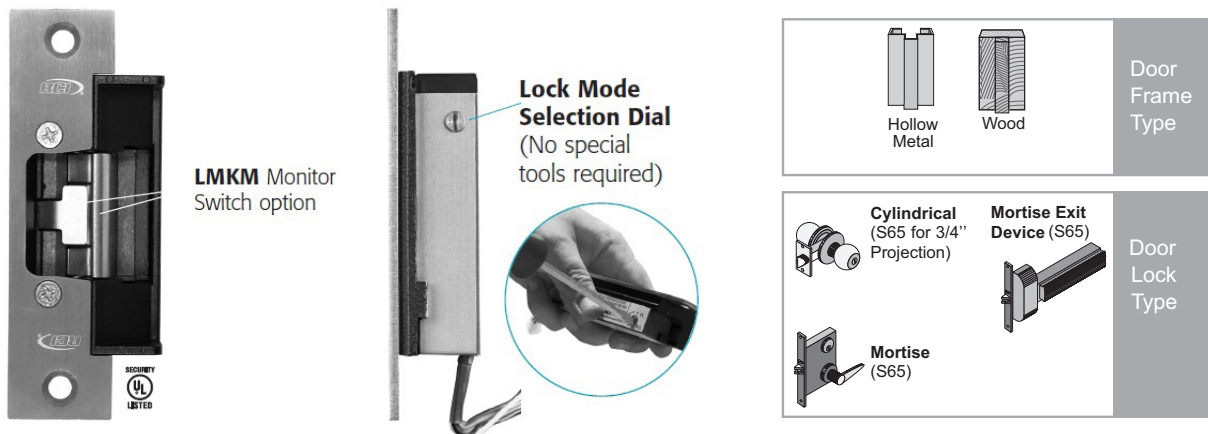
Features

- All-in-One for hollow metal and wood frames.
- Field Selectable lock Mode: - Fail safe or Fail secure.
- Field Selectable Voltage
- UL1034 Burglary Resistant Listed
- UL Listed for 1,500 lbs static strength
- Plug-in wire connectors
- 3-Year Warranty
- Optional Latch Monitor/Keeper Monitor Status

Description

The electric strike combines several key features such as; multi-voltage single solenoid, selectable lock mode (no tools required.), horizontal adjustment and plug-in wire connectors. The S65 is ideal when you require 3/4" latch projection.

The installations will be faster and easier and your inventory will be significantly less since one strike does it all; Cylindrical and Mortise



Fail Unlocked

Rotate the adjustment screw so the dimple is fully rotated to the opposite the faceplate side of the strike (fully counter clockwise). Your strike is now fail unlocked and requires power to lock.

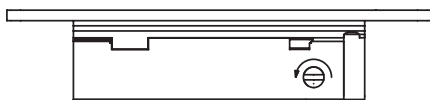


Fig. 1 Fail Unlocked = screw fully counter clockwise

Fail locked

Rotate the adjustment screw so the dimple is fully rotated to the faceplate side of the strike (fully clockwise). Your strike is now fail locked and requires power to unlock the door.

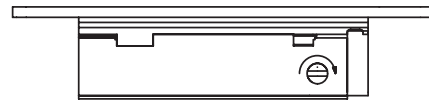


Fig. 2 Fail Locked = screw fully clockwise

CATALOG NUMBER 7906

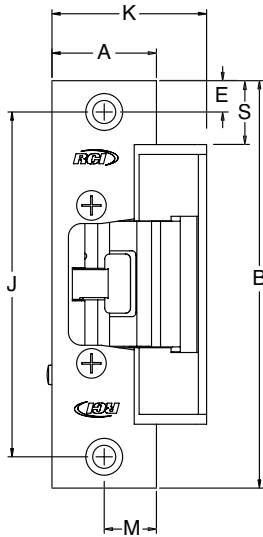
NOT TO BE USED FOR INSTALLATION PURPOSES.

Mircom reserves the right to make changes at any time without notice in prices, colours, materials, components, equipment, specifications and models and also to discontinue models.

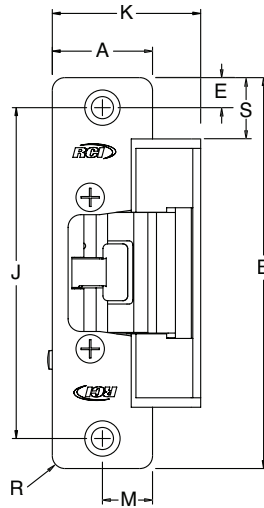
Specifications



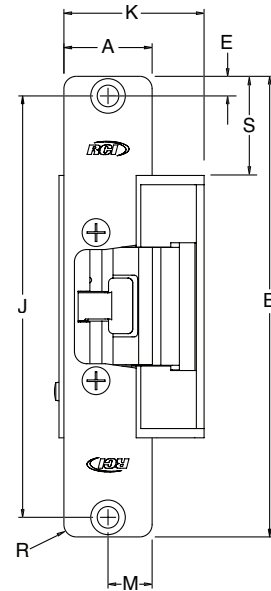
S6514
(1-1/4"W x 4-7/8"H)
Hollow Metal



S6504
(1-1/4"W x 4-7/8"H)
Aluminum



S6505
(1-1/8"W x 5-7/8"H)
Aluminum or Wood



PROFILE MEASUREMENT	S6514 INCHES	S6514 DECIMAL	S6514 METRIC (mm)	S6504 INCHES	S6504 DECIMAL	S6504 METRIC (mm)	S6505 INCHES	S6505 DECIMAL	S6505 METRIC (mm)
A	1-1/4	1.25	31.75	1-1/4	1.25	31.75	1-1/8	1.125	28.58
B	4-7/8	4.875	123.83	4-7/8	4.875	123.83	5-7/8	5.875	149.23
E	3/8	.375	9.53	3/8	.375	9.53	1/4	0.25	6.35
J	4-1/8	4.125	104.78	4-1/8	4.125	104.78	5-3/8	5.375	136.53
K	1-27/32	1.844	46.83	1-27/32	1.844	46.83	1-25/32	1.781	45.24
M	5/8	.625	15.88	5/8	.625	15.88	35/64	.547	13.89
R	—	—	—	5/32	0.156	3.97	5/32	0.156	3.97
S	49/64	.766	19.45	49/64	.766	19.45	1-17/64	1.266	32.15

Installation

Lip Bracket Adjustment

If your door or latch is out of adjustment, the insert can be adjusted forward or back as required for proper alignment to the latch. See Fig. 3

1. Remove the strike from the frame.
2. Remove the faceplate from the strike.
3. Two screws secure the lip bracket to the main insert
4. Loosen these screws approximately 1-1/2 to 2 full turns to allow the insert to move forward or backward as required.
5. Once the adjustment is made tighten all screws and reinstall the strike in the frame.

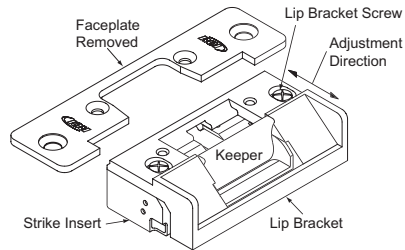


Fig. 3

Use 12VDC wire harness for 12VDC, 12-24VAC or 11-16VAC input power.

Use 24VDC wire harness for 24VDC input power only

Attach the red wire to (+) positive of the power supply. Attach the black wire to the (-) negative of the power supply (see Fig. 4). If using AC power, polarity is not observed.

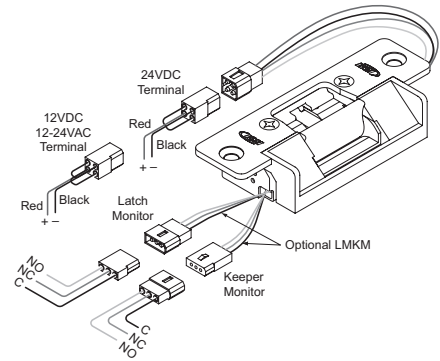


Fig. 4

Mode Field Selectable	Voltage Field Selectable	Duty	Sound	Amps*	Ohms†
FUL/FL	12VDC	Continuous	Silent	.375	37
FUL/FL	24VDC	Continuous	Silent	.190	148
FUL/FL	12 to 24VDC	Intermittent	Buzz	.280 - .565	37

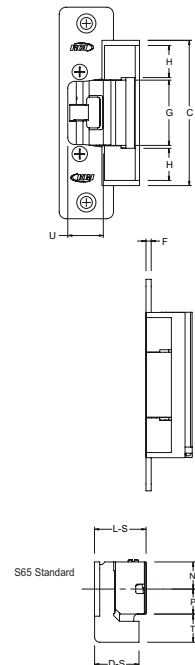
Intermittent Duty = Energized less than 1 min. with Duty Ratio 1:5, Continuous Duty = Energized 1 min. or more

*Ratings are based on maximum current draw at +10°C and include initial power-up current draw.

†Nominal resistance at +25°C ± 7% tolerance.

Profiles									
MEASUREMENT	C	D-S	F	G	H	L-S	N	P	
FRACTIONAL INCHES	3-11/32	1-5/32	1/8	37	47/64	1-3/16	5/8	37/64	
DECIMAL INCHES	3.344	1.156	.125	148	.734	1.188	.625	.578	
METRIC mm	84.93	29.37	3.18	37	18.65	30.16	11.88	14.68	

T MEASUREMENT	default	min	max	T MEASUREMENT	default	min	max
FRACTIONAL INCHES	21/32	1/2	49/64	FRACTIONAL INCHES	13/16	45/64	31/32
DECIMAL INCHES	0.656	0.500	0.766	DECIMAL INCHES	0.813	0.703	0.969
METRIC mm	16.67	12.70	19.45	METRIC mm	20.64	17.86	24.61



NOTE: Specifications are subject to change without notice. S6514 dimensions are listed as D-S and L-S

Ordering Information

Model	Description
S65U	S6504/08/14 Universal Standard Door Strike, Profile 5/8" X 32D
S65ULMKM	S6504/08/14 LMKM Universal Door Strike, 5/8" X 32D with latch monitor

NOT TO BE USED FOR INSTALLATION PURPOSES.



Canada
25 Interchange Way
Vaughan, Ontario L4K 5W3
Telephone: (905) 660-4655
Fax: (905) 660-4113

U.S.A.
4575 Witmer Industrial Estates
Niagara Falls, NY 14305
Toll Free: (888) 660-4655
Fax Toll Free: (888) 660-4113

Web page: <http://www.mircomgroup.com> Email: mail@mircomgroup.com

Distributed by:

ISO 9001:2008 REGISTERED



CAT. 7906 Rev 2



Description

Mircom's TX3-CX-2K-A is a powerful hybrid IP and RS-485 networked two door controller that will manage up to 126 doors using the RS-485 network. Use TCP/IP and the system is virtually unlimited. Simply add a TX3-IP module to the panel for TCP/IP networks. The TX3-CX-2K-A Kit comes complete with one TX3-CX controller, two TX3-P300-HA readers, a configurator software on a flash memory stick and a USB cable for programming.

TX3-CX-2-A Door Controller

The TX3-CX-2-A controller has a unique feature of being compatible to the entire family of TX3 platform solutions from voice entry, elevator restriction and wireless Aperio locksets. Unlike other platforms, the TX3 will meet the basic job requirements and accommodate other elements of an intelligent building as the needs arise.

TX3-P300-HA Proximity Reader

The access control kit includes two TX3-P300-HA proximity card readers that deliver exceptional value without compromise on quality, durability, and performance. The TX3-P300-HA proximity card reader comes in an attractive, slim line dark grey enclosure. The reader may be mounted on a metal door frame, a window mullion or directly to an interior or exterior wall or cabinet.

The electronics of the TX3-P300-HA reader are encapsulated in a UL approved epoxy resin potting compound to seal them against adverse environmental conditions. The TX3-P300-HA proximity card readers are metal compensated, resulting in minimal loss of read range and provide ease of installation in various door access applications.

Feature/Benefits

- A hybrid architecture that combines the best of TCP/IP and RS-485. All panels can networked via RS-485 or TCP/IP.
- 8 supervised inputs for a wide selection of monitoring points to be shared between the two card readers
- 8 programmable outputs; 6 are Form C contacts (normally open/normally closed), two provide 12 VDC power for up to 1 amperes of current combined
- Supports all credential formats such as clamshell cards, graphic cards, key tags and wafers (ordered separately)
- Optional vehicular control using dual technology wireless transmitters that can have a built-in proximity coil (wafer)
- Unified database for TX3 voice entry and card access systems reduces administration time and support
- A variety of options to remotely manage the TX3 access panel to fit the site requirements. A modem, a TCP/IP module or use a local USB extender to a PC
- High level features include:
 - High Security
A convenient feature enabling the user to perform 'emergency lock down' or 'emergency evacuation' by swiping an ID card four times in front of a reader to lock or unlock all doors
 - Soft Anti-Pass Back
This function prevents the buddy system by requiring the user to use an exit reader before using an entry reader up to 900 seconds.
 - Mantrap/Interlocking Doors
This feature monitors and controls access to a high value or critical security area by ensuring one door is locked before opening the second door
 - Delayed Egress
This feature requires a user to press and hold a request to exit bar/button before releasing the door enabling security to respond before releasing the door
- Compatible to any Wiegand reader technology including Mifare, biometric, proximity and iClass
- Elevator Control for up to 96 floors to restrict users to specific floors

Access Control Panels



TX3-CX-2K-A Two Door Controller Kit

- Comes complete with;
- Two door controller
 - Two mullion mount card readers
 - System software configurator
 - USB cable for connection to PC



TX3-CX-2-A Two Door Controller

A two door controller with system software and a USB cable.

Dimensions:

14" (h) x 12" (w) x 2.8" (d) / 356 mm (h) x 305 mm (w) x 71mm (d)

Readers

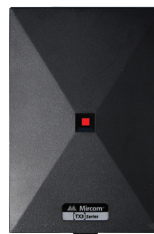


SR-2400-GR-MP Mullion Mount Reader

The SR-2400-GR-MP is designed to fit on a 1 3/4" standard metal door or window frame. A metal compensation feature ensures minimal read range loss when the reader is mounted on metal. The readers low profile design esthetically blends to any indoor or outdoor wall surface by two mounting screws.

Voltage: 5 to 12 VDC

Dimension:
4.5 x 1.8 x 0.70 inch (11.4 x 4.5 x 1.8 cm)



TX3-P500-HA Single Gang Mount Reader

The TX3-P500-HA is a switch plate reader designed to easily mount directly on a single gang box with a read range of up to 8 inches (20 cm).

Voltage: 5 to 16 VDC

Dimension:
4.6 x 3.1 x 0.36 inch (11.7 x 7.7 x 0.9 cm)



TX3-P640-H-A Keypad with Proximity Reader, Single Gang Mount

The TX3-P640-H-A is a combined proximity reader with 12 button keypad designed to fit directly on a single gang box. The TX3-P640-H-A is ideal for dual authentication for high security requirements or where a convenient PIN access would be required.

Voltage: 5 to 16 VDC

Dimension:
4.6 x 3.0 x 0.4 inch (11.7 x 7.7 x 1.0 cm)



TX3-P300-HA Mini Mullion Mount Reader

The TX3-P300-HA is used for indoor or outdoor applications for up to 6 inch read range.

Voltage: 5 to 16 VDC

Dimension:
3.2 x 1.7 x 0.7 inch (8.0 x 4.3 x 1.7 cm)



TX3 Credentials

A full complement of credential styles.

TX3-WRR-22

Dual Channel receiver compatible to TX3-WRT-2H two button transmitters.

Elevator Restriction

Elevator control is ideal for mixed use buildings where retail and residential access share common elevators. With our TX3-ER-8-A elevator control the user can restrict access to each card holder to specific floor or floors.

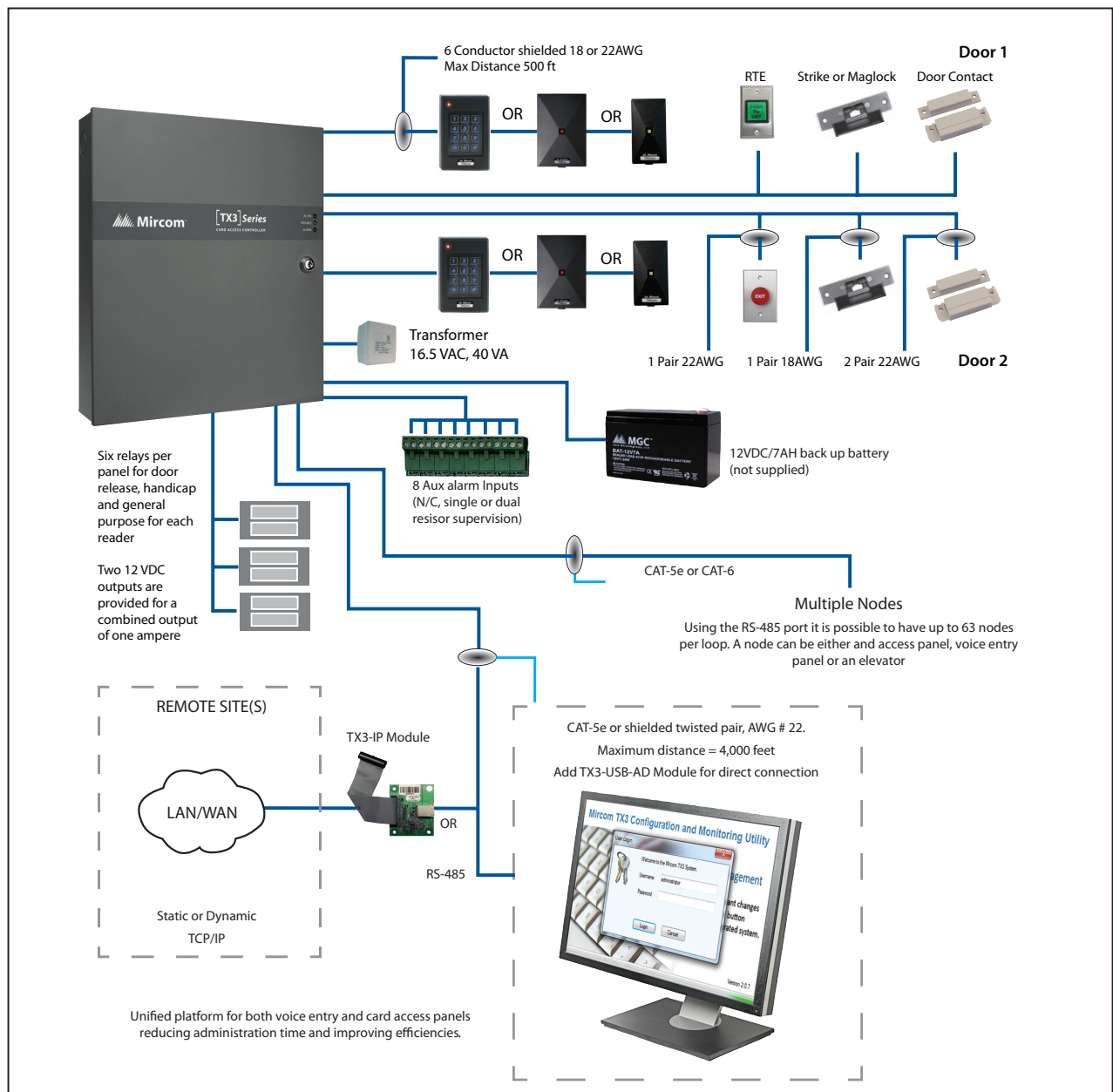
The TX3-ER-8-A provides access to one or several floors up to 96 floors or doors, using 2012E relay cards. Typically, a user presents his card to the card reader in the cab, the relays assigned to the card will trip and provide activation to the floor buttons in the elevator cabin and the user can select from the floors he has been granted access to.

TX3-ER-8-A Elevator Restriction Cabinet
2012E Twelve Unit Elevator Restriction Card

PC Requirements

- Dual core processor, 1 GHz
- 1 GB RAM
- 600 MB disk space
- Windows XP SP2/Vista/Windows 7/8, 32 or 64 bit
- USB Connection

TX3 Two Door Controller Wiring



Ordering Information

Model	Description
TX3-CX-2K-A	Two Door Access Control System Kit c/w one TX3-CX Door Controller, two proximity card readers (TX3-P300-HA), transformer, two graphic cards, Configurator software and a USB cable. Battery. For Battery Back-up, add one 12 VDC battery, 5 Ah or 7 Ah.
TX3-CX-2-A	Two Door Controller in a grey metal lockable cabinet including a 16VAC, transformer, software and USB cable. Battery Back-up: Add one 12 VDC battery, 5 Ah to 7 Ah.
Readers	
SR-2400-GR-MP	Mullion Mount Reader, 125 KHz, 5 to 12 VDC. Dimensions: 4.5 x 1.8 x 0.70 inch (11.4 x 4.5 x 1.8 cm)
TX3-P500-HA	Single Gang Mount Reader, Grey, 125 KHz, 5 to 16 VDC, Dimensions: 4.6 x 3.1 x 0.36 inch (11.7 x 7.7 x 0.9 cm)
TX3-P300-HA	Mini Mullion mount, 125 KHz, 5 to 16 VDC, Dimensions: 3.2 x 1.7 x 0.7 inch (8.0 x 4.3 x 1.7 cm)
TX3-P640-H-A	Keypad with Proximity Reader, Single gang mount, 5 to 16 VDC. Dimensions: 4.6 x 3.0 x 0.4 inch (11.7 x 7.7 x 1.0 cm)
39201237	A solid aluminum, tamper resistant, single gang mount keypad, IP68 rated with audible/visual feedback. Operating Temperature: 32°F to 257 °F (-40°C to 125°C)
TX3-WRR-22	Dual Channel Receiver for use with TX3-WRT-2H
TX3-WRR-44	Wiegand Receiver for use with TX3-WRT-4H four button transmitters.
Credentials	
CS-MIR-0-0	Clam Shell Proximity card with slot for portrait orientation strap. Accepts photo ID overlay. Packaged in quantities of 25 pieces.
GR-MIR-H-26 GR-MIR-H-37	Graphics Card for printing on both sides. Provision for portrait or landscape card slot punching. Packaged in quantities of 50 pieces. Available in 26-bit format GR-MIR-H-26 and Mircom format GR-MIR-H-37.
TX3-PDT-H-37	Adhesive proximity disc tag, HID supported, 125 KHz, Mircom format.
PW-MIR-0-0	Proximity Wafer with adhesive backing. One inch (2.54 cm) diameter. Packaged in quantities of 10 pieces.
KT-MIR-0-0	Key tag for key ring. Durable ABS plastic case to withstand years of abuse. Packaged in quantities of 10 pieces.
TX3-WRT-2H	Two Button transmitter with HID supported proximity tag.
TX3-WRT-4H	Four Button transmitter with HID supported proximity tag.
Accessories	
TX3-IP	Add-on TCP/IP Module fits on top of the TX3-CX-2K-A or TX3-CX-2-A motherboard
TX3-MDM	Modem module mounts onto control panel board
TX3-DATA-MDM	Modem USB 2.0 stick, one required per PC. Compliant with V.92, V.90 and V.44
TX3-USB-AD	USB to RS-485 Adaptor kit includes an MD-993 module and mounting hardware
Batteries	
BAT-12V5A	Battery, 12 VDC, 5 AH, one required per TX3-CX Control panel
BAT-12V7A	Battery, 12 VDC, 7.2 AH, one required per TX3-CX Control panel

NOT TO BE USED FOR INSTALLATION PURPOSES.



Canada
25 Interchange Way
Vaughan, Ontario L4K 5W3
Telephone: (905) 660-4655
Fax: (905) 660-4113

U.S.A.
4575 Witmer Industrial Estates
Niagara Falls, NY 14305
Toll Free: (888) 660-4655
Fax Toll Free: (888) 660-4113

Distributed by:

Web page: <http://www.mircomgroup.com> Email: mail@mircomgroup.com

ISO 9001:2008
REGISTERED

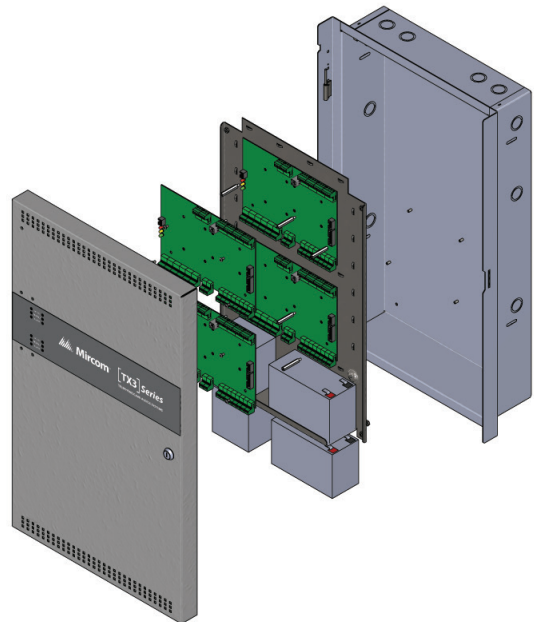


CAT. 6545
rev4



Features

- Controls up to eight doors from one enclosure simplifying conduit connections and cabling.
- Cost saving construction of multiple TX3 Series RB-MD-1093 two door controller boards.
- Small cabinet size for up to eight doors for installations with limited wall space.
- Flexible configuration to accommodate from two to eight doors.
- One external power supply is included with the cabinet for convenience



Description

The TX3-BBCX-4W Cabinet conveniently houses all the requirements for an eight door system installation saving installation labour and material costs. The single cabinet can house up to four, 2 door controllers, four batteries either 5 or 7 AH and a single power supply cabinet is provided for all the boards.

The RB-MD-1093 TX3 Series two door controller boards are ordered separately to match the installation requirements in multiples of two doors up to eight doors per cabinet. All the mechanical mounting hardware is provided with the cabinet including the lock and key.

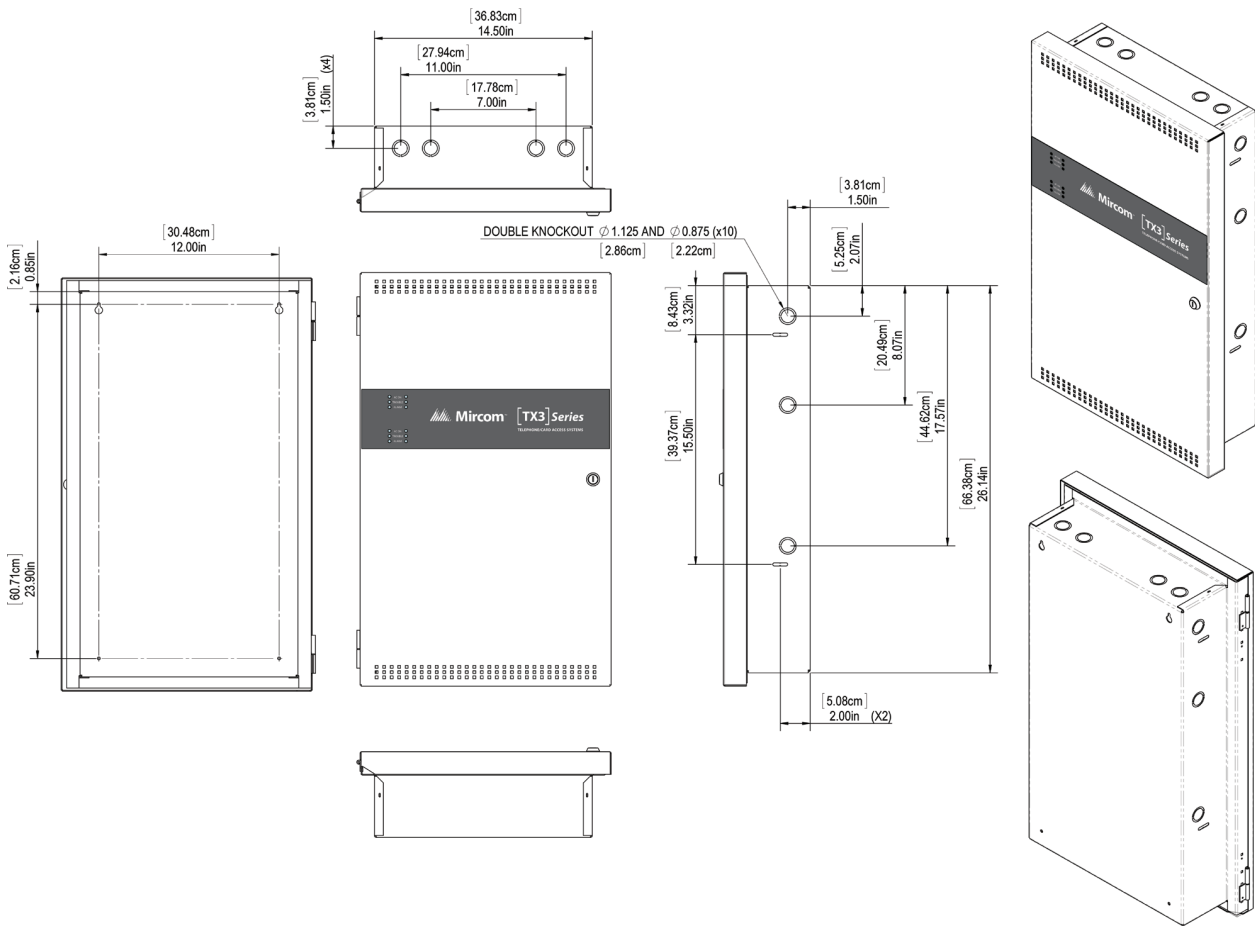
Use the TX3-BBCX-4W cabinet for large installations when working with limited wall space and budgets. Use a single cabinet to control up to eight doors rather than mount four 2 door controller cabinets saving wall real estate and labour costs. Installation requires one conduit connection per eight door controllers saving material cost and labour

CATALOG NUMBER 6543

NOT TO BE USED FOR INSTALLATION PURPOSES.

Mircom reserves the right to make changes at any time without notice in prices, colours, materials, components, equipment, specifications and models and also to discontinue models.

Specifications



Size: 16.7" x 27.9" (42.42 cm x 70.87 cm)
Knock-out Dimensions: 7/8" (2.22 cm) and 1.25" (3.18 cm) diameter
Battery Back-up: Five or seven ampere hour battery. (Not included.)
Power: 24 VDC (Separate power supply included.)
Power Supply Dimension: 9.75" length x 7.5" width x 2" depth (24.77 cm x 19.05 cm x 5.08 cm)

Ordering Information

Model	Description
TX3-BBCX-4W	Eight Door Control Cabinet
RB-MD-1093	Two Door Controller Board with IP Capability
BA-12V5A	5 Ampere hour battery
BA-12V2A	7 Ampere hour battery

NOT TO BE USED FOR INSTALLATION PURPOSES.



Canada
 25 Interchange Way
 Vaughan, Ontario L4K 5W3
 Telephone: (905) 660-4655
 Fax: (905) 660-4113

U.S.A.
 4575 Witmer Industrial Estates
 Niagara Falls, NY 14305
 Toll Free: (888) 660-4655
 Fax Toll Free: (888) 660-4113

Web page: <http://www.mircomgroup.com> Email: mail@mircomgroup.com

Distributed by:

ISO 9001:2008
 REGISTERED



CAT. 6543
 rev 2



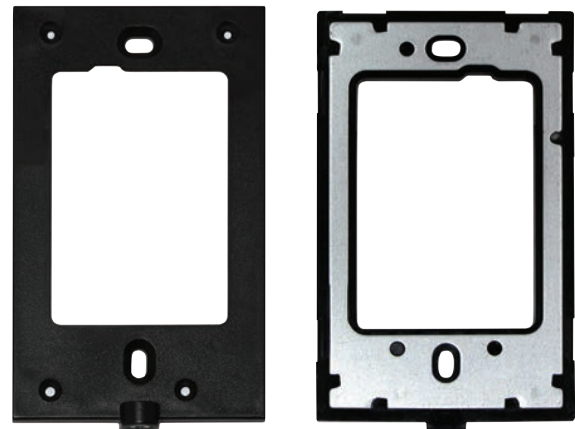
Description

The latest addition to the TX3 family of access control units, the TX3-CX-1 has all the features for an entry level access control application with the flexibility for scalability. An innovative PoE controller with a built-in proximity reader that can be used stand alone or networked using either RS-485 or TCP/IP.

- **Simplicity** – Simply mount onto a single gang electrical box and connect CAT-5/6 cable for both power and network communication.
- **Flexibility** – Power the TX3-CX-1 by either 12 VDC, 24 to 48VDC or PoE. Network the controller by RS-485 or TCP/IP.
- **Versatile** – The controller has a built-in 125 KHz proximity reader for interior applications. Any second Wiegand card reader can be added for outside the door.
- **Scalable** – The TX3-CX-1 may be used stand alone or networked to other Tx3 platform devices for up to 63 nodes, if using the RS-485 network. Essentially no limit if TCP/IP is used.

Feature/Benefits

- 5,000 Users
- Programming – local via USB or remotely via TCP/IP
- Supports two card readers; one built-in and one external optional Wiegand reader.
- Tamper detection for controller and communication cable cut.
- Two Form C programmable relays; 24V AC/DC, 2 amp.
- Four supervised inputs EOL; Battery Back-up trouble, Request to exit, Door position switch, general purpose.
- Temperature Range: 0° to 40° Celcius (32° to 104° Fahrenheit)
- Visual LED diagnostics: Trouble, Alarm, Access granted, Access denied
- Supported Card Formats: 26-bit Wiegand and any generic Wiegand
- 12 V/700mA max. solid state output for DC door strikes
- Metal reinforced mounting bracket to ensure proper alignment when fastening the secure screw



Mounting Bracket

Front

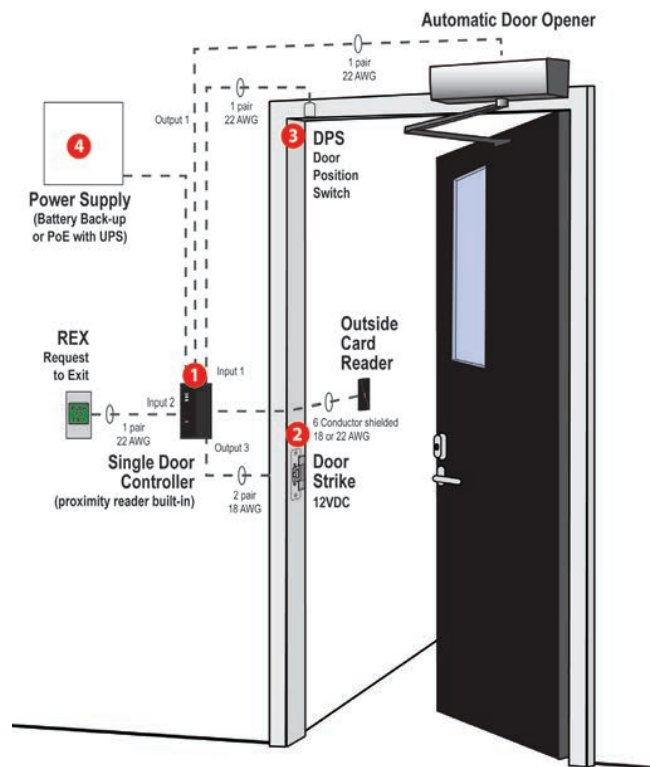
Back

Specifications

Maximum number of doors	Unlimited, 63 per RS-485 loop
Power	12VDC, 24 to 48 VDC or PoE, 15 watts
# of relays	2
# of inputs	4
# of power outputs	1
# of card readers	1 built in, one optional
Size	4 3/4"(h) x 3" (w) x 1.5" (d)
Mounting requirements	Single gang electrical box

- ❶ **TX3-CX-1 Single Door Controller** fits onto single gang electrical box
- ❷ **Electric Door Strike** preferably with a built-in door position switch
- ❸ **Door position switch**
- ❹ **Power Supply** with or without battery backup

Typical Network Diagram



Ordering Information

Model	Description
TX3-CX-1	Single Door Controller
Proximity Readers	
TX3-P300-HA	Mini Mullion Mount Reader, 3.2" x 1.7" x 0.7"
TX3-P500-HA	Single Gang Proximity Reader, 4.6" x 3" x 0.4"
TX3-P640-H-A	Illuminated Proximity Keypad Reader supports HID and AWID, mounts onto a single gang box
Proximity Cards & Key Tags	
CS-MIR-0-0	Clam Shell Proximity Card Must be ordered in blocks of 25
KT-MIR-0-0	Key Tag Must be ordered in blocks of 10
KT-MIR-0-37	Keytag, Mircom Format (MUST ORDER IN GROUPS OF 10)
GR-MIR-H-26	Graphic Card, 26 bit, HID supported (packed in groups of 50)
GR-MIR-H-37	Mircom format GRAPHIC CARDS (packed in groups of 50)
TX3-PDT-H-37	Prox Disc Tag, HID 125kHz prox protocol supported, Mircom format
PW-MIR-0-0	Proximity Wafer with adhesive backing. One inch diameter (2.54 cm) diameter. Packaged in groups of 10

NOT TO BE USED FOR INSTALLATION PURPOSES.



Canada
 25 Interchange Way
 Vaughan, Ontario L4K 5W3
 Telephone: (905) 660-4655
 Fax: (905) 660-4113

U.S.A.
 4575 Witmer Industrial Estates
 Niagara Falls, NY 14305
 Toll Free: (888) 660-4655
 Fax Toll Free: (888) 660-4113

Distributed by:

Web page: <http://www.mircomgroup.com> Email: mail@mircomgroup.com

ISO 9001:2008
 REGISTERED



CAT. 6548
 rev 2

Keypads & Readers



Dimensions
2-3/4" x 4-1/2"
(70.0 x 114.5mm)



Red and green pushbutton inserts available in English, French or Spanish.

Description

972 All-in-One Pushbutton

972 Request to Exit Button makes it easy by combining three popular buttons in one box. The 972 is packaged with three lenses, and three messages so you are certain you have made the right selection with a 2" (50.8mm) request to exit button. This 2" (50.8mm) button is available with a long life incandescent or LED bulb.

Applications

- Commercial Centers
- Industrial Buildings
- Educational Facilities
- Retail Outlets
- Health Care Facilities
- Office Complexes

Feature/Benefits

- Large 2" (50.8mm) square illuminated pushbutton
- Available in long life incandescent (972)
- SPDT 10 Amp Contacts
- Stainless steel single gang faceplate
- Includes 2 messages and a handicap symbol (in English and Spanish or French)
- Includes 3 colored lenses (Green, Red, Clear)
- Momentary switch operation
- 12 and 24 VDC bulbs included
- UL recognized switch
- Two #6-32 stainless steel screws included

Highlights

- SPDT switch is a UL recognized component
- Push To Exit, Exit messages and Handicap Symbol included
- Green, Red and Clear lenses included
- Long life incandescent bulbs
- Reduces inventory SKU's
- ADA Compliant
- 2 Year Limited Warranty (bulb and LED not included)

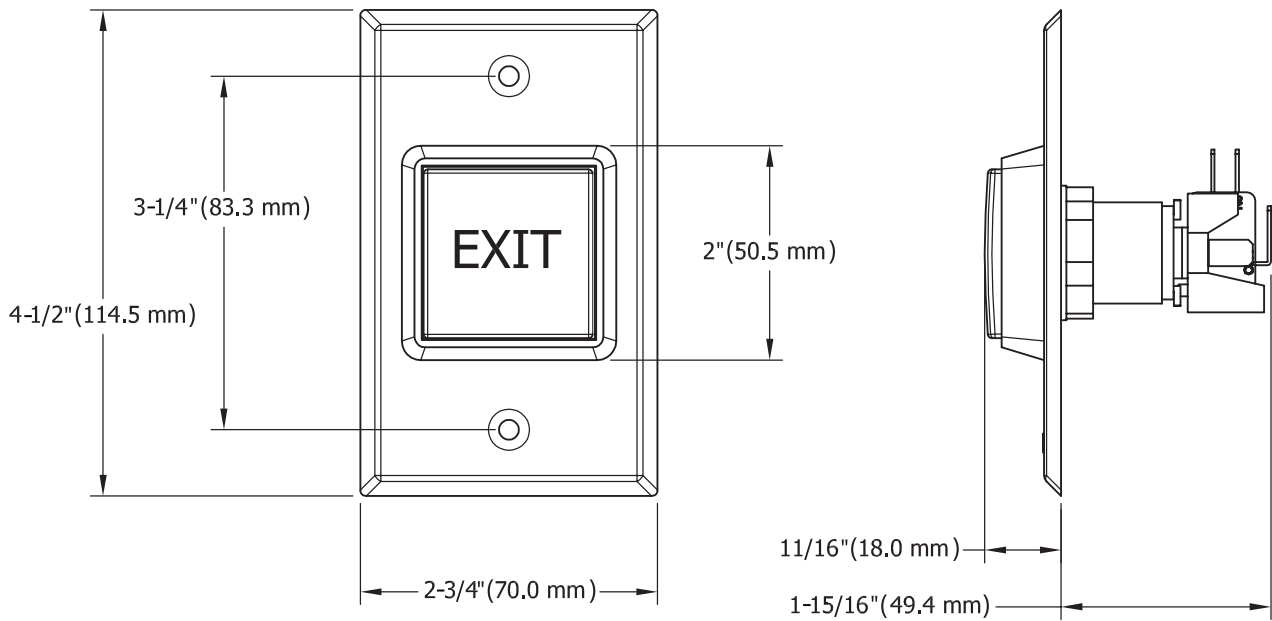
CATALOG NUMBER 8100

NOT TO BE USED FOR INSTALLATION PURPOSES.


Mircom reserves the right to make changes at any time without notice in prices, colours, materials, components, equipment, specifications and models and also to discontinue models.

Specifications

NOTE: Not to scale. Specifications are subject to change without notice.



Ordering Information

Model	Bulbs	Switch Mode	Switch Configuration	Switch Rating	Standard Faceplate Finish
972	Incandenscent	Momentary Action	SPDT N/O or N/C	10A@125VAC 	32D

NOT TO BE USED FOR INSTALLATION PURPOSES.



Canada
 25 Interchange Way
 Vaughan, Ontario L4K 5W3
 Telephone: (905) 660-4655
 Fax: (905) 660-4113

U.S.A.
 4575 Witmer Industrial Estates
 Niagara Falls, NY 14305
 Toll Free: (888) 660-4655
 Fax Toll Free: (888) 660-4113

Web page: <http://www.mircomgroup.com> Email: mail@mircomgroup.com

Distributed by:

ISO 9001:2008
 REGISTERED 

CAT. 8100
 Rev. 0



Description

The Mircom TX3-P640-H-A proximity keypad is designed for higher security applications where both a PIN number and a credential is required for authentication.

The keypad readily mounts to any single gang electrical box.

A Wiegand protocol ensures compatibility to all standard access control systems.

Features/Benefits

- Full keypad illumination
 - When the keypad is touched or a card is presented, all the keys are backlit illuminated for easy locating the specific key to press in complete darkness.
 - When a proximity card or tag is presented the keypad will confirm the ID credential exchange by both an audible beep and flashing green LED.
 - Both the piezo and LED can be individually controlled by the access control panel.
- Dual Format
 - The proximity reader can be configured for 8 bit burst or Wiegand format.
- Indoor or Outdoor housing
 - The keypad is designed to be used in outdoor hostile environments or interior applications where esthetics are important.
- Low Power
 - Save power by using the keypad's low power requirements. Under 70 mA typical.

Specifications

Technology:	Proximity	Operating Frequency:	125 kHz
Mounting:	Metal or plastic US single-gang wall box, as well as flat surfaces	Dimensions (HxWxD):	4.6 x 3 x 0.4 inches (116 x 77 x 10 mm)
Certifications:	FCC, ICC, CE, C-Tick	Weight:	4 oz. (113g)
Power Supply¹:	+5 - 16 VDC	IP Code:	IP67 ³
Read Range²:	Up to 8 inches (203 mm)	Current Draw:	70 mA typical, 110 mA peak @ 12VDC
Interface:	Wiegand	Cabling⁴:	24 AWG minimum, multi-conductor stranded with an overall foil shield
Color Options:	A black and a white snap-on cover included standard	Operating Temperature:	-40° F to 149° F (-40° C to +65° C)
Indoor & Outdoor Installation:	Electronics sealed in weather- and tamper-resistant epoxy potting	Audio Tone:	Beeper included standard
LED:	Four-state standard (red, green, amber & off)	Warranty:	Limited lifetime warranty
		Keypad Output:	Wiegand or 8-bit burst. Must use the programming card to configure

Ordering Information

Model	Description
TX3-P640-H-A	Proximity Keypad Reader

Technologies Supported:

HID 125-kHz proximity credentials⁵

AWID 125-kHz proximity credentials⁶

¹ Linear power supplies are recommended for best operation.

² Using Standard Light Proximity Card with 12VDC at the reader.

³ Self certified

⁴ For example Belden 9535 or similar.

⁵ Examples include, but are not limited to, ProxCard® II, ISOProx® II and ProxKey® II.

⁶ Examples include, but are not limited to, CS Prox Card, GR (ISO) Graphics Quality Prox Card and KT Key Tag.

AWID is a trademark of Applied Wireless Identifications Group. HID and the HID logo are registered trademarks of HID Global Corporation, an ASSA ABLOY company. All other trademarks are the property of their respective owners.

NOT TO BE USED FOR INSTALLATION PURPOSES.



Canada
25 Interchange Way
Vaughan, Ontario L4K 5W3
Telephone: (905) 660-4655
Fax: (905) 660-4113

U.S.A.
4575 Witmer Industrial Estates
Niagara Falls, NY 14305
Toll Free: (888) 660-4655
Fax Toll Free: (888) 660-4113

Web page: <http://www.mircom.com> Email: mail@mircom.com

Distributed by:

ISO 9001:2008
REGISTERED



CAT. 6544
Rev 0



Description

Mircom's TX3-CX-2K-A is a powerful hybrid IP and RS-485 networked two door controller that will manage up to 126 doors using the RS-485 network. Use TCP/IP and the system is virtually unlimited. Simply add a TX3-IP module to the panel for TCP/IP networks. The TX3-CX-2K-A Kit comes complete with one TX3-CX controller, two TX3-P300-HA readers, a configurator software on a flash memory stick and a USB cable for programming.

TX3-CX-2-A Door Controller

The TX3-CX-2-A controller has a unique feature of being compatible to the entire family of TX3 platform solutions from voice entry, elevator restriction and wireless Aperio locksets. Unlike other platforms, the TX3 will meet the basic job requirements and accommodate other elements of an intelligent building as the needs arise.

TX3-P300-HA Proximity Reader

The access control kit includes two TX3-P300-HA proximity card readers that deliver exceptional value without compromise on quality, durability, and performance. The TX3-P300-HA proximity card reader comes in an attractive, slim line dark grey enclosure. The reader may be mounted on a metal door frame, a window mullion or directly to an interior or exterior wall or cabinet.

The electronics of the TX3-P300-HA reader are encapsulated in a UL approved epoxy resin potting compound to seal them against adverse environmental conditions. The TX3-P300-HA proximity card readers are metal compensated, resulting in minimal loss of read range and provide ease of installation in various door access applications.

Feature/Benefits

- A hybrid architecture that combines the best of TCP/IP and RS-485. All panels can networked via RS-485 or TCP/IP.
- 8 supervised inputs for a wide selection of monitoring points to be shared between the two card readers
- 8 programmable outputs; 6 are Form C contacts (normally open/normally closed), two provide 12 VDC power for up to 1 amperes of current combined
- Supports all credential formats such as clamshell cards, graphic cards, key tags and wafers (ordered separately)
- Optional vehicular control using dual technology wireless transmitters that can have a built-in proximity coil (wafer)
- Unified database for TX3 voice entry and card access systems reduces administration time and support
- A variety of options to remotely manage the TX3 access panel to fit the site requirements. A modem, a TCP/IP module or use a local USB extender to a PC
- High level features include:
 - High Security
A convenient feature enabling the user to perform 'emergency lock down' or 'emergency evacuation' by swiping an ID card four times in front of a reader to lock or unlock all doors
 - Soft Anti-Pass Back
This function prevents the buddy system by requiring the user to use an exit reader before using an entry reader up to 900 seconds.
 - Mantrap/Interlocking Doors
This feature monitors and controls access to a high value or critical security area by ensuring one door is locked before opening the second door
 - Delayed Egress
This feature requires a user to press and hold a request to exit bar/button before releasing the door enabling security to respond before releasing the door
- Compatible to any Wiegand reader technology including Mifare, biometric, proximity and iClass
- Elevator Control for up to 96 floors to restrict users to specific floors

Access Control Panels



TX3-CX-2K-A Two Door Controller Kit

- Comes complete with;
- Two door controller
 - Two mullion mount card readers
 - System software configurator
 - USB cable for connection to PC



TX3-CX-2-A Two Door Controller

A two door controller with system software and a USB cable.

Dimensions:

14" (h) x 12" (w) x 2.8" (d) / 356 mm (h) x 305 mm (w) x 71mm (d)

Readers

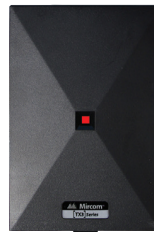


SR-2400-GR-MP Mullion Mount Reader

The SR-2400-GR-MP is designed to fit on a 1 3/4" standard metal door or window frame. A metal compensation feature ensures minimal read range loss when the reader is mounted on metal. The readers low profile design esthetically blends to any indoor or outdoor wall surface by two mounting screws.

Voltage: 5 to 12 VDC

Dimension:
4.5 x 1.8 x 0.70 inch (11.4 x 4.5 x 1.8 cm)



TX3-P500-HA Single Gang Mount Reader

The TX3-P500-HA is a switch plate reader designed to easily mount directly on a single gang box with a read range of up to 8 inches (20 cm).

Voltage: 5 to 16 VDC

Dimension:
4.6 x 3.1 x 0.36 inch (11.7 x 7.7 x 0.9 cm)



TX3-P640-H-A Keypad with Proximity Reader, Single Gang Mount

The TX3-P640-H-A is a combined proximity reader with 12 button keypad designed to fit directly on a single gang box. The TX3-P640-H-A is ideal for dual authentication for high security requirements or where a convenient PIN access would be required.

Voltage: 5 to 16 VDC

Dimension:
4.6 x 3.0 x 0.4 inch (11.7 x 7.7 x 1.0 cm)



TX3-P300-HA Mini Mullion Mount Reader

The TX3-P300-HA is used for indoor or outdoor applications for up to 6 inch read range.

Voltage: 5 to 16 VDC

Dimension:
3.2 x 1.7 x 0.7 inch (8.0 x 4.3 x 1.7 cm)



TX3 Credentials

A full complement of credential styles.

TX3-WRR-22

Dual Channel receiver compatible to TX3-WRT-2H two button transmitters.

Elevator Restriction

Elevator control is ideal for mixed use buildings where retail and residential access share common elevators. With our TX3-ER-8-A elevator control the user can restrict access to each card holder to specific floor or floors.

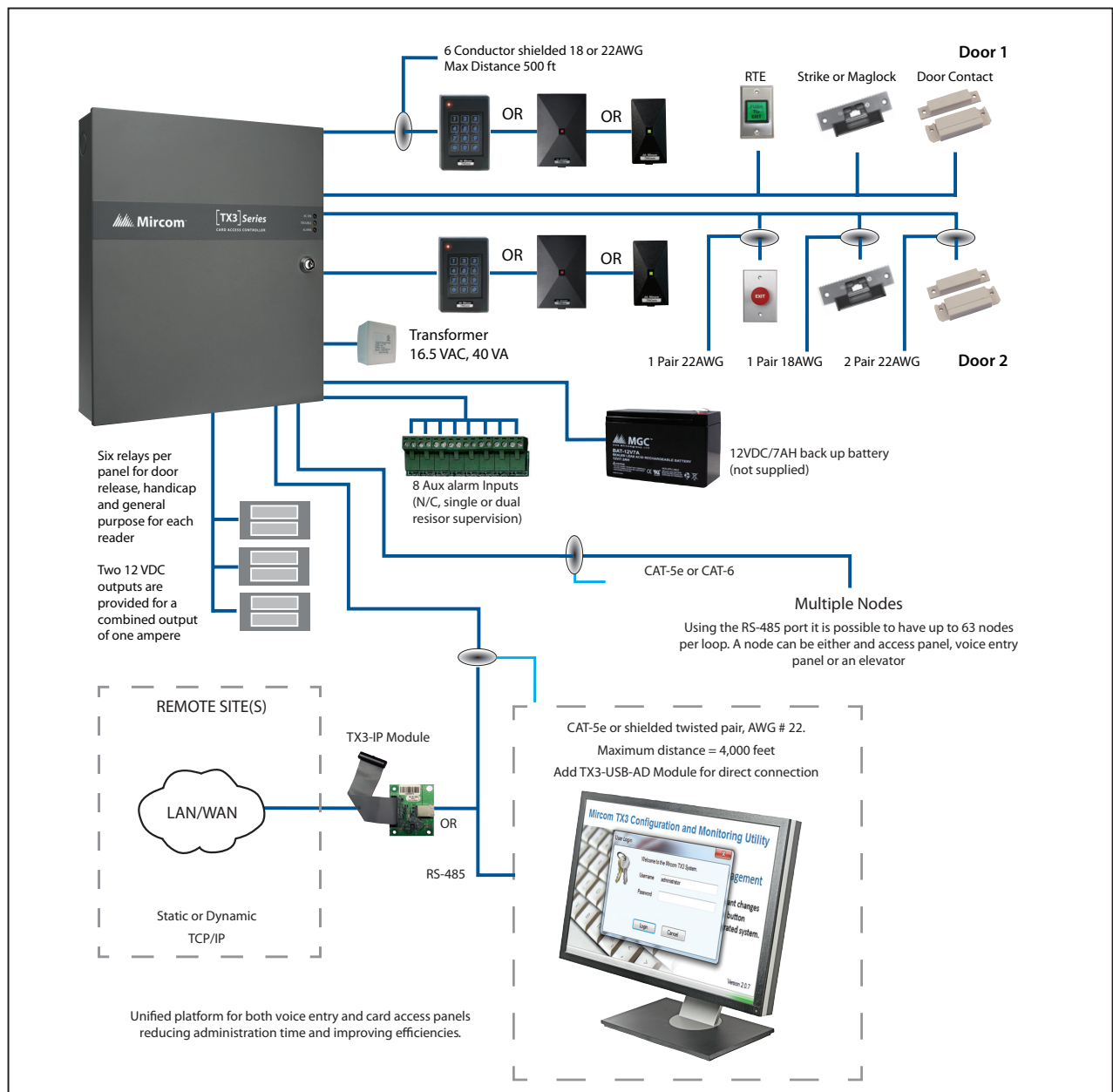
The TX3-ER-8-A provides access to one or several floors up to 96 floors or doors, using 2012E relay cards. Typically, a user presents his card to the card reader in the cab, the relays assigned to the card will trip and provide activation to the floor buttons in the elevator cabin and the user can select from the floors he has been granted access to.

TX3-ER-8-A Elevator Restriction Cabinet
2012E Twelve Unit Elevator Restriction Card

PC Requirements

- Dual core processor, 1 GHz
- 1 GB RAM
- 600 MB disk space
- Windows XP SP2/Vista/Windows 7/8, 32 or 64 bit
- USB Connection

TX3 Two Door Controller Wiring



Ordering Information

Model	Description
TX3-CX-2K-A	Two Door Access Control System Kit c/w one TX3-CX Door Controller, two proximity card readers (TX3-P300-HA), transformer, two graphic cards, Configurator software and a USB cable. Battery. For Battery Back-up, add one 12 VDC battery, 5 Ah or 7 Ah.
TX3-CX-2-A	Two Door Controller in a grey metal lockable cabinet including a 16VAC, transformer, software and USB cable. Battery Back-up: Add one 12 VDC battery, 5 Ah to 7 Ah.
Readers	
SR-2400-GR-MP	Mullion Mount Reader, 125 KHz, 5 to 12 VDC. Dimensions: 4.5 x 1.8 x 0.70 inch (11.4 x 4.5 x 1.8 cm)
TX3-P500-HA	Single Gang Mount Reader, Grey, 125 KHz, 5 to 16 VDC, Dimensions: 4.6 x 3.1 x 0.36 inch (11.7 x 7.7 x 0.9 cm)
TX3-P300-HA	Mini Mullion mount, 125 KHz, 5 to 16 VDC, Dimensions: 3.2 x 1.7 x 0.7 inch (8.0 x 4.3 x 1.7 cm)
TX3-P640-H-A	Keypad with Proximity Reader, Single gang mount, 5 to 16 VDC. Dimensions: 4.6 x 3.0 x 0.4 inch (11.7 x 7.7 x 1.0 cm)
39201237	A solid aluminum, tamper resistant, single gang mount keypad, IP68 rated with audible/visual feedback. Operating Temperature: 32°F to 257 °F (-40°C to 125°C)
TX3-WRR-22	Dual Channel Receiver for use with TX3-WRT-2H
TX3-WRR-44	Wiegand Receiver for use with TX3-WRT-4H four button transmitters.
Credentials	
CS-MIR-0-0	Clam Shell Proximity card with slot for portrait orientation strap. Accepts photo ID overlay. Packaged in quantities of 25 pieces.
GR-MIR-H-26 GR-MIR-H-37	Graphics Card for printing on both sides. Provision for portrait or landscape card slot punching. Packaged in quantities of 50 pieces. Available in 26-bit format GR-MIR-H-26 and Mircom format GR-MIR-H-37.
TX3-PDT-H-37	Adhesive proximity disc tag, HID supported, 125 KHz, Mircom format.
PW-MIR-0-0	Proximity Wafer with adhesive backing. One inch (2.54 cm) diameter. Packaged in quantities of 10 pieces.
KT-MIR-0-0	Key tag for key ring. Durable ABS plastic case to withstand years of abuse. Packaged in quantities of 10 pieces.
TX3-WRT-2H	Two Button transmitter with HID supported proximity tag.
TX3-WRT-4H	Four Button transmitter with HID supported proximity tag.
Accessories	
TX3-IP	Add-on TCP/IP Module fits on top of the TX3-CX-2K-A or TX3-CX-2-A motherboard
TX3-MDM	Modem module mounts onto control panel board
TX3-DATA-MDM	Modem USB 2.0 stick, one required per PC. Compliant with V.92, V.90 and V.44
TX3-USB-AD	USB to RS-485 Adaptor kit includes an MD-993 module and mounting hardware
Batteries	
BAT-12V5A	Battery, 12 VDC, 5 AH, one required per TX3-CX Control panel
BAT-12V7A	Battery, 12 VDC, 7.2 AH, one required per TX3-CX Control panel

NOT TO BE USED FOR INSTALLATION PURPOSES.



Canada
25 Interchange Way
Vaughan, Ontario L4K 5W3
Telephone: (905) 660-4655
Fax: (905) 660-4113

U.S.A.
4575 Witmer Industrial Estates
Niagara Falls, NY 14305
Toll Free: (888) 660-4655
Fax Toll Free: (888) 660-4113

Distributed by:

Web page: <http://www.mircomgroup.com> Email: mail@mircomgroup.com

ISO 9001:2008
REGISTERED



CAT. 6545
rev4

Credentials



Description

Mircom's TX3-CX-2K-A is a powerful hybrid IP and RS-485 networked two door controller that will manage up to 126 doors using the RS-485 network. Use TCP/IP and the system is virtually unlimited. Simply add a TX3-IP module to the panel for TCP/IP networks. The TX3-CX-2K-A Kit comes complete with one TX3-CX controller, two TX3-P300-HA readers, a configurator software on a flash memory stick and a USB cable for programming.

TX3-CX-2-A Door Controller

The TX3-CX-2-A controller has a unique feature of being compatible to the entire family of TX3 platform solutions from voice entry, elevator restriction and wireless Aperio locksets. Unlike other platforms, the TX3 will meet the basic job requirements and accommodate other elements of an intelligent building as the needs arise.

TX3-P300-HA Proximity Reader

The access control kit includes two TX3-P300-HA proximity card readers that deliver exceptional value without compromise on quality, durability, and performance. The TX3-P300-HA proximity card reader comes in an attractive, slim line dark grey enclosure. The reader may be mounted on a metal door frame, a window mullion or directly to an interior or exterior wall or cabinet.

The electronics of the TX3-P300-HA reader are encapsulated in a UL approved epoxy resin potting compound to seal them against adverse environmental conditions. The TX3-P300-HA proximity card readers are metal compensated, resulting in minimal loss of read range and provide ease of installation in various door access applications.

Feature/Benefits

- A hybrid architecture that combines the best of TCP/IP and RS-485. All panels can networked via RS-485 or TCP/IP.
- 8 supervised inputs for a wide selection of monitoring points to be shared between the two card readers
- 8 programmable outputs; 6 are Form C contacts (normally open/normally closed), two provide 12 VDC power for up to 1 amperes of current combined
- Supports all credential formats such as clamshell cards, graphic cards, key tags and wafers (ordered separately)
- Optional vehicular control using dual technology wireless transmitters that can have a built-in proximity coil (wafer)
- Unified database for TX3 voice entry and card access systems reduces administration time and support
- A variety of options to remotely manage the TX3 access panel to fit the site requirements. A modem, a TCP/IP module or use a local USB extender to a PC
- High level features include:
 - High Security
A convenient feature enabling the user to perform 'emergency lock down' or 'emergency evacuation' by swiping an ID card four times in front of a reader to lock or unlock all doors
 - Soft Anti-Pass Back
This function prevents the buddy system by requiring the user to use an exit reader before using an entry reader up to 900 seconds.
 - Mantrap/Interlocking Doors
This feature monitors and controls access to a high value or critical security area by ensuring one door is locked before opening the second door
 - Delayed Egress
This feature requires a user to press and hold a request to exit bar/button before releasing the door enabling security to respond before releasing the door
- Compatible to any Wiegand reader technology including Mifare, biometric, proximity and iClass
- Elevator Control for up to 96 floors to restrict users to specific floors

Access Control Panels



TX3-CX-2K-A Two Door Controller Kit

- Comes complete with;
- Two door controller
 - Two mullion mount card readers
 - System software configurator
 - USB cable for connection to PC



TX3-CX-2-A Two Door Controller

A two door controller with system software and a USB cable.

Dimensions:

14" (h) x 12" (w) x 2.8" (d) / 356 mm (h) x 305 mm (w) x 71mm (d)

Readers

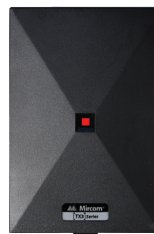


SR-2400-GR-MP Mullion Mount Reader

The SR-2400-GR-MP is designed to fit on a 1 3/4" standard metal door or window frame. A metal compensation feature ensures minimal read range loss when the reader is mounted on metal. The readers low profile design esthetically blends to any indoor or outdoor wall surface by two mounting screws.

Voltage: 5 to 12 VDC

Dimension:
4.5 x 1.8 x 0.70 inch (11.4 x 4.5 x 1.8 cm)



TX3-P500-HA Single Gang Mount Reader

The TX3-P500-HA is a switch plate reader designed to easily mount directly on a single gang box with a read range of up to 8 inches (20 cm).

Voltage: 5 to 16 VDC

Dimension:
4.6 x 3.1 x 0.36 inch (11.7 x 7.7 x 0.9 cm)



TX3-P640-H-A Keypad with Proximity Reader, Single Gang Mount

The TX3-P640-H-A is a combined proximity reader with 12 button keypad designed to fit directly on a single gang box. The TX3-P640-H-A is ideal for dual authentication for high security requirements or where a convenient PIN access would be required.

Voltage: 5 to 16 VDC

Dimension:
4.6 x 3.0 x 0.4 inch (11.7 x 7.7 x 1.0 cm)



TX3-P300-HA Mini Mullion Mount Reader

The TX3-P300-HA is used for indoor or outdoor applications for up to 6 inch read range.

Voltage: 5 to 16 VDC

Dimension:
3.2 x 1.7 x 0.7 inch (8.0 x 4.3 x 1.7 cm)



TX3 Credentials

A full complement of credential styles.

TX3-WRR-22

Dual Channel receiver compatible to TX3-WRT-2H two button transmitters.

Elevator Restriction

Elevator control is ideal for mixed use buildings where retail and residential access share common elevators. With our TX3-ER-8-A elevator control the user can restrict access to each card holder to specific floor or floors.

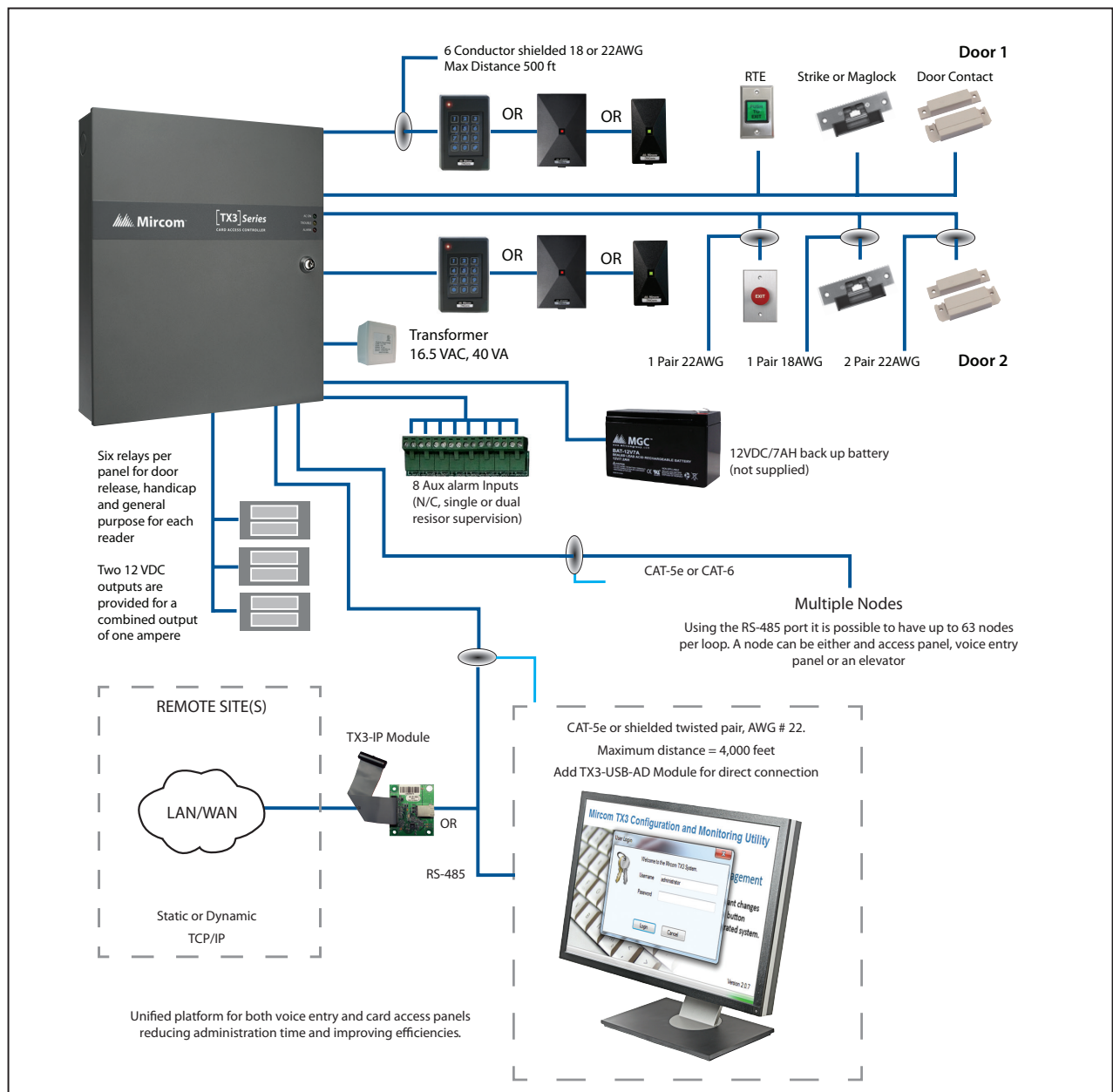
The TX3-ER-8-A provides access to one or several floors up to 96 floors or doors, using 2012E relay cards. Typically, a user presents his card to the card reader in the cab, the relays assigned to the card will trip and provide activation to the floor buttons in the elevator cabin and the user can select from the floors he has been granted access to.

TX3-ER-8-A Elevator Restriction Cabinet
2012E Twelve Unit Elevator Restriction Card

PC Requirements

- Dual core processor, 1 GHz
- 1 GB RAM
- 600 MB disk space
- Windows XP SP2/Vista/Windows 7/8, 32 or 64 bit
- USB Connection

TX3 Two Door Controller Wiring



Ordering Information

Model	Description
TX3-CX-2K-A	Two Door Access Control System Kit c/w one TX3-CX Door Controller, two proximity card readers (TX3-P300-HA), transformer, two graphic cards, Configurator software and a USB cable. Battery. For Battery Back-up, add one 12 VDC battery, 5 Ah or 7 Ah.
TX3-CX-2-A	Two Door Controller in a grey metal lockable cabinet including a 16VAC, transformer, software and USB cable. Battery Back-up: Add one 12 VDC battery, 5 Ah to 7 Ah.
Readers	
SR-2400-GR-MP	Mullion Mount Reader, 125 KHz, 5 to 12 VDC. Dimensions: 4.5 x 1.8 x 0.70 inch (11.4 x 4.5 x 1.8 cm)
TX3-P500-HA	Single Gang Mount Reader, Grey, 125 KHz, 5 to 16 VDC, Dimensions: 4.6 x 3.1 x 0.36 inch (11.7 x 7.7 x 0.9 cm)
TX3-P300-HA	Mini Mullion mount, 125 KHz, 5 to 16 VDC, Dimensions: 3.2 x 1.7 x 0.7 inch (8.0 x 4.3 x 1.7 cm)
TX3-P640-H-A	Keypad with Proximity Reader, Single gang mount, 5 to 16 VDC. Dimensions: 4.6 x 3.0 x 0.4 inch (11.7 x 7.7 x 1.0 cm)
39201237	A solid aluminum, tamper resistant, single gang mount keypad, IP68 rated with audible/visual feedback. Operating Temperature: 32°F to 257 °F (-40°C to 125°C)
TX3-WRR-22	Dual Channel Receiver for use with TX3-WRT-2H
TX3-WRR-44	Wiegand Receiver for use with TX3-WRT-4H four button transmitters.
Credentials	
CS-MIR-0-0	Clam Shell Proximity card with slot for portrait orientation strap. Accepts photo ID overlay. Packaged in quantities of 25 pieces.
GR-MIR-H-26 GR-MIR-H-37	Graphics Card for printing on both sides. Provision for portrait or landscape card slot punching. Packaged in quantities of 50 pieces. Available in 26-bit format GR-MIR-H-26 and Mircom format GR-MIR-H-37.
TX3-PDT-H-37	Adhesive proximity disc tag, HID supported, 125 KHz, Mircom format.
PW-MIR-0-0	Proximity Wafer with adhesive backing. One inch (2.54 cm) diameter. Packaged in quantities of 10 pieces.
KT-MIR-0-0	Key tag for key ring. Durable ABS plastic case to withstand years of abuse. Packaged in quantities of 10 pieces.
TX3-WRT-2H	Two Button transmitter with HID supported proximity tag.
TX3-WRT-4H	Four Button transmitter with HID supported proximity tag.
Accessories	
TX3-IP	Add-on TCP/IP Module fits on top of the TX3-CX-2K-A or TX3-CX-2-A motherboard
TX3-MDM	Modem module mounts onto control panel board
TX3-DATA-MDM	Modem USB 2.0 stick, one required per PC. Compliant with V.92, V.90 and V.44
TX3-USB-AD	USB to RS-485 Adaptor kit includes an MD-993 module and mounting hardware
Batteries	
BAT-12V5A	Battery, 12 VDC, 5 AH, one required per TX3-CX Control panel
BAT-12V7A	Battery, 12 VDC, 7.2 AH, one required per TX3-CX Control panel

NOT TO BE USED FOR INSTALLATION PURPOSES.



Canada
25 Interchange Way
Vaughan, Ontario L4K 5W3
Telephone: (905) 660-4655
Fax: (905) 660-4113

U.S.A.
4575 Witmer Industrial Estates
Niagara Falls, NY 14305
Toll Free: (888) 660-4655
Fax Toll Free: (888) 660-4113

Distributed by:

Web page: <http://www.mircomgroup.com> Email: mail@mircomgroup.com

ISO 9001:2008
REGISTERED



CAT. 6545
rev4



125 kHz Image Technology Proximity Card

Description

Proximity from Mircom sets the electronic security benchmark for 125-kHz proximity readers, card and tags. Based upon proven contactless digital radio frequency identification (RFID) technology, Mircom readers interface with a wide range of electronic access control systems by complying with the Wiegand communication protocol. Mircom cards and tags are passive devices, eliminate maintenance by requiring no battery, and can be ordered to support several proximity reader technologies. Made from glossy PVC and backed by a lifetime warranty. Physical size is a nominal 3.38 x 2.12 x 0.046 inches, (85.9 x 53.8 x 1.17 mm). It may be printed on the front- and back-side via dye sublimation. Vertical and horizontal slot punch indicators are provided. For convenience the internal ID is permanently marked discretely on the back.

Features

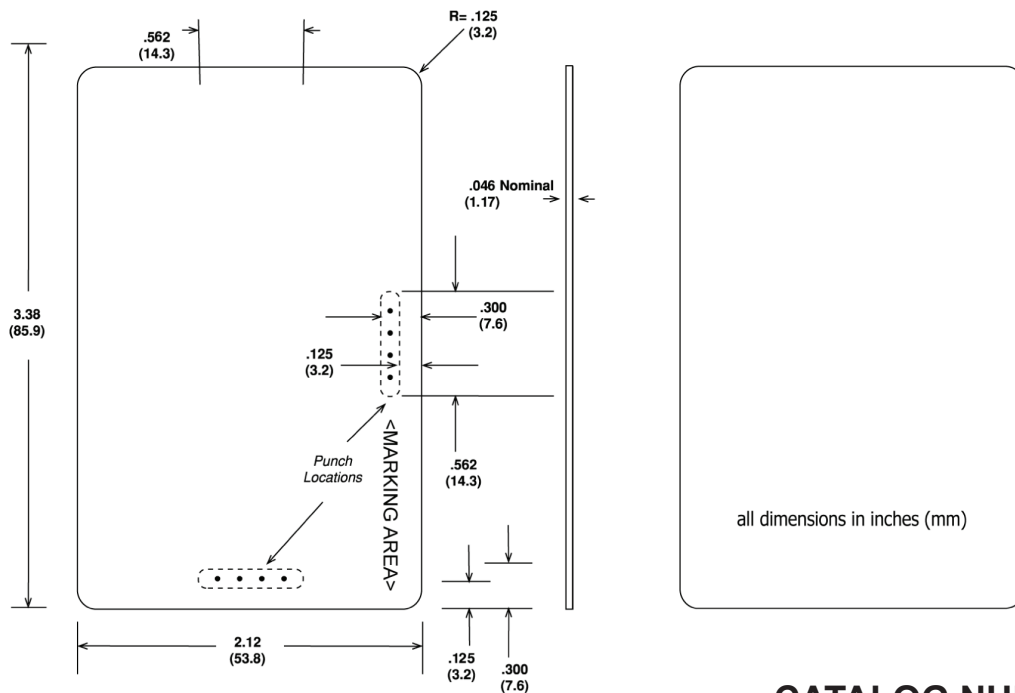
Application - Ideal for access control applications where no direct physical contact is required between card and reader.

High Security - Cards encoded with a proprietary Mircom Wiegand format ensuring no duplicate ID credentials (Model: GR-MIR-H-26).

Convenience - A thicker card appropriate for dye sublimation imaging.

Durable - Manufactured from robust materials and does not require a battery.

Compatible - For existing systems, 26 bit Wiegand cards can be encoded (Model: GR-MIR-H-26).


CATALOG NUMBER 7909

NOT TO BE USED FOR INSTALLATION PURPOSES.

Mircom reserves the right to make changes at any time without notice in prices, colours, materials, components, equipment, specifications and models and also to discontinue models.

Specifications

Technology**Supported¹:** HID 125-kHz proximity supported**Operation:** Passive (no battery)**Formats:** Mircom format
26 Bit format**Dimensions (HxWxD):** 3.4 x 2.1 x 0.046 inches
(86 x 53 x 1.17 mm)**Material:** PVC**Color:** Glossy white**Slot Punch²:** Vertical and horizontal indicators**Imaging³:** Supports dye sublimation imaging**Type:** Dye sublimation**Operating Temperature:** -35° F to 122° F
(-37° C to +50° C)**Weight:** 0.3 oz. (9g)**Humidity:** 0-95% non-condensing**Marking⁴:** ID Number**Warranty:** Limited lifetime warranty**Options⁵:** Custom printing of company logos, URL, telephone number available

¹ Examples of readers supported are but not limited to: ProxpointPlus®, Thinline II®, MiniProx®

² Model may be ordered pre-punched with horizontal/vertical slots. Contact Mircom or your supplier for more information.

³ Please verify that the printer (or overlay) supports credential type/thickness.

⁴ Custom printing available.

⁵ Contact Mircom to learn how you can customize your cards and tags.

Tested with 12VDC @ reader.

Ordering Information

Model	Description
GR-MIR-H-37	Mircom Wiegand Format Graphic Card
GR-MIR-H-26	Wiegand Format Graphic Card, 26 Bit Format

All rights reserved. HID and the HID logo are registered trademarks of HID Global Corporation, an ASSA ABLOY company. All other trademarks are the property of their respective owners.

NOT TO BE USED FOR INSTALLATION PURPOSES.

**Canada**

25 Interchange Way
Vaughan, Ontario L4K 5W3
Telephone: (905) 660-4655
Fax: (905) 660-4113

U.S.A.

4575 Witmer Industrial Estates
Niagara Falls, NY 14305
Toll Free: (888) 660-4655
Fax Toll Free: (888) 660-4113

Web page: <http://www.mircomgroup.com>

Email: mail@mircomgroup.com

Distributed by:

ISO 9001:2008
REGISTERED



CAT. 7909



Description

Mircom's TX3-CX-2K-A is a powerful hybrid IP and RS-485 networked two door controller that will manage up to 126 doors using the RS-485 network. Use TCP/IP and the system is virtually unlimited. Simply add a TX3-IP module to the panel for TCP/IP networks. The TX3-CX-2K-A Kit comes complete with one TX3-CX controller, two TX3-P300-HA readers, a configurator software on a flash memory stick and a USB cable for programming.

TX3-CX-2-A Door Controller

The TX3-CX-2-A controller has a unique feature of being compatible to the entire family of TX3 platform solutions from voice entry, elevator restriction and wireless Aperio locksets. Unlike other platforms, the TX3 will meet the basic job requirements and accommodate other elements of an intelligent building as the needs arise.

TX3-P300-HA Proximity Reader

The access control kit includes two TX3-P300-HA proximity card readers that deliver exceptional value without compromise on quality, durability, and performance. The TX3-P300-HA proximity card reader comes in an attractive, slim line dark grey enclosure. The reader may be mounted on a metal door frame, a window mullion or directly to an interior or exterior wall or cabinet.

The electronics of the TX3-P300-HA reader are encapsulated in a UL approved epoxy resin potting compound to seal them against adverse environmental conditions. The TX3-P300-HA proximity card readers are metal compensated, resulting in minimal loss of read range and provide ease of installation in various door access applications.

Feature/Benefits

- A hybrid architecture that combines the best of TCP/IP and RS-485. All panels can networked via RS-485 or TCP/IP.
- 8 supervised inputs for a wide selection of monitoring points to be shared between the two card readers
- 8 programmable outputs; 6 are Form C contacts (normally open/normally closed), two provide 12 VDC power for up to 1 amperes of current combined
- Supports all credential formats such as clamshell cards, graphic cards, key tags and wafers (ordered separately)
- Optional vehicular control using dual technology wireless transmitters that can have a built-in proximity coil (wafer)
- Unified database for TX3 voice entry and card access systems reduces administration time and support
- A variety of options to remotely manage the TX3 access panel to fit the site requirements. A modem, a TCP/IP module or use a local USB extender to a PC
- High level features include:
 - High Security
A convenient feature enabling the user to perform 'emergency lock down' or 'emergency evacuation' by swiping an ID card four times in front of a reader to lock or unlock all doors
 - Soft Anti-Pass Back
This function prevents the buddy system by requiring the user to use an exit reader before using an entry reader up to 900 seconds.
 - Mantrap/Interlocking Doors
This feature monitors and controls access to a high value or critical security area by ensuring one door is locked before opening the second door
 - Delayed Egress
This feature requires a user to press and hold a request to exit bar/button before releasing the door enabling security to respond before releasing the door
- Compatible to any Wiegand reader technology including Mifare, biometric, proximity and iClass
- Elevator Control for up to 96 floors to restrict users to specific floors

Access Control Panels



TX3-CX-2K-A Two Door Controller Kit

- Comes complete with;
- Two door controller
 - Two mullion mount card readers
 - System software configurator
 - USB cable for connection to PC



TX3-CX-2-A Two Door Controller

A two door controller with system software and a USB cable.

Dimensions:

14" (h) x 12" (w) x 2.8" (d) / 356 mm (h) x 305 mm (w) x 71mm (d)

Readers

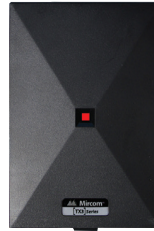


SR-2400-GR-MP Mullion Mount Reader

The SR-2400-GR-MP is designed to fit on a 1 3/4" standard metal door or window frame. A metal compensation feature ensures minimal read range loss when the reader is mounted on metal. The readers low profile design esthetically blends to any indoor or outdoor wall surface by two mounting screws.

Voltage: 5 to 12 VDC

Dimension:
4.5 x 1.8 x 0.70 inch (11.4 x 4.5 x 1.8 cm)



TX3-P500-HA Single Gang Mount Reader

The TX3-P500-HA is a switch plate reader designed to easily mount directly on a single gang box with a read range of up to 8 inches (20 cm).

Voltage: 5 to 16 VDC

Dimension:
4.6 x 3.1 x 0.36 inch (11.7 x 7.7 x 0.9 cm)



TX3-P640-H-A Keypad with Proximity Reader, Single Gang Mount

The TX3-P640-H-A is a combined proximity reader with 12 button keypad designed to fit directly on a single gang box. The TX3-P640-H-A is ideal for dual authentication for high security requirements or where a convenient PIN access would be required.

Voltage: 5 to 16 VDC

Dimension:
4.6 x 3.0 x 0.4 inch (11.7 x 7.7 x 1.0 cm)



TX3-P300-HA Mini Mullion Mount Reader

The TX3-P300-HA is used for indoor or outdoor applications for up to 6 inch read range.

Voltage: 5 to 16 VDC

Dimension:
3.2 x 1.7 x 0.7 inch (8.0 x 4.3 x 1.7 cm)



TX3 Credentials

A full complement of credential styles.

TX3-WRR-22

Dual Channel receiver compatible to TX3-WRT-2H two button transmitters.

Elevator Restriction

Elevator control is ideal for mixed use buildings where retail and residential access share common elevators. With our TX3-ER-8-A elevator control the user can restrict access to each card holder to specific floor or floors.

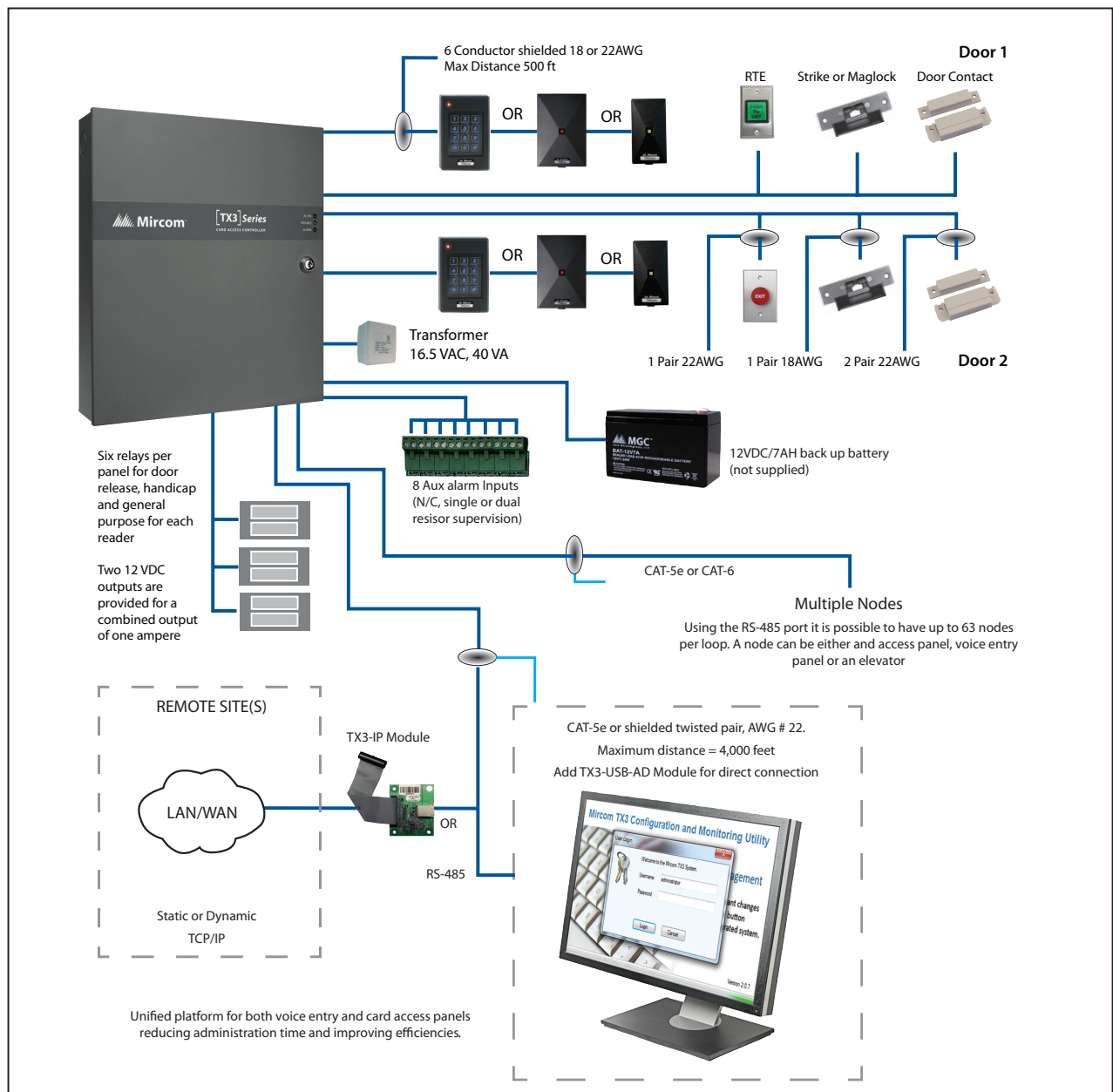
The TX3-ER-8-A provides access to one or several floors up to 96 floors or doors, using 2012E relay cards. Typically, a user presents his card to the card reader in the cab, the relays assigned to the card will trip and provide activation to the floor buttons in the elevator cabin and the user can select from the floors he has been granted access to.

TX3-ER-8-A Elevator Restriction Cabinet
2012E Twelve Unit Elevator Restriction Card

PC Requirements

- Dual core processor, 1 GHz
- 1 GB RAM
- 600 MB disk space
- Windows XP SP2/Vista/Windows 7/8, 32 or 64 bit
- USB Connection

TX3 Two Door Controller Wiring



Ordering Information

Model	Description
TX3-CX-2K-A	Two Door Access Control System Kit c/w one TX3-CX Door Controller, two proximity card readers (TX3-P300-HA), transformer, two graphic cards, Configurator software and a USB cable. Battery. For Battery Back-up, add one 12 VDC battery, 5 Ah or 7 Ah.
TX3-CX-2-A	Two Door Controller in a grey metal lockable cabinet including a 16VAC, transformer, software and USB cable. Battery Back-up: Add one 12 VDC battery, 5 Ah to 7 Ah.
Readers	
SR-2400-GR-MP	Mullion Mount Reader, 125 KHz, 5 to 12 VDC. Dimensions: 4.5 x 1.8 x 0.70 inch (11.4 x 4.5 x 1.8 cm)
TX3-P500-HA	Single Gang Mount Reader, Grey, 125 KHz, 5 to 16 VDC, Dimensions: 4.6 x 3.1 x 0.36 inch (11.7 x 7.7 x 0.9 cm)
TX3-P300-HA	Mini Mullion mount, 125 KHz, 5 to 16 VDC, Dimensions: 3.2 x 1.7 x 0.7 inch (8.0 x 4.3 x 1.7 cm)
TX3-P640-H-A	Keypad with Proximity Reader, Single gang mount, 5 to 16 VDC. Dimensions: 4.6 x 3.0 x 0.4 inch (11.7 x 7.7 x 1.0 cm)
39201237	A solid aluminum, tamper resistant, single gang mount keypad, IP68 rated with audible/visual feedback. Operating Temperature: 32°F to 257 °F (-40°C to 125°C)
TX3-WRR-22	Dual Channel Receiver for use with TX3-WRT-2H
TX3-WRR-44	Wiegand Receiver for use with TX3-WRT-4H four button transmitters.
Credentials	
CS-MIR-0-0	Clam Shell Proximity card with slot for portrait orientation strap. Accepts photo ID overlay. Packaged in quantities of 25 pieces.
GR-MIR-H-26 GR-MIR-H-37	Graphics Card for printing on both sides. Provision for portrait or landscape card slot punching. Packaged in quantities of 50 pieces. Available in 26-bit format GR-MIR-H-26 and Mircom format GR-MIR-H-37.
TX3-PDT-H-37	Adhesive proximity disc tag, HID supported, 125 KHz, Mircom format.
PW-MIR-0-0	Proximity Wafer with adhesive backing. One inch (2.54 cm) diameter. Packaged in quantities of 10 pieces.
KT-MIR-0-0	Key tag for key ring. Durable ABS plastic case to withstand years of abuse. Packaged in quantities of 10 pieces.
TX3-WRT-2H	Two Button transmitter with HID supported proximity tag.
TX3-WRT-4H	Four Button transmitter with HID supported proximity tag.
Accessories	
TX3-IP	Add-on TCP/IP Module fits on top of the TX3-CX-2K-A or TX3-CX-2-A motherboard
TX3-MDM	Modem module mounts onto control panel board
TX3-DATA-MDM	Modem USB 2.0 stick, one required per PC. Compliant with V.92, V.90 and V.44
TX3-USB-AD	USB to RS-485 Adaptor kit includes an MD-993 module and mounting hardware
Batteries	
BAT-12V5A	Battery, 12 VDC, 5 AH, one required per TX3-CX Control panel
BAT-12V7A	Battery, 12 VDC, 7.2 AH, one required per TX3-CX Control panel

NOT TO BE USED FOR INSTALLATION PURPOSES.



Canada
25 Interchange Way
Vaughan, Ontario L4K 5W3
Telephone: (905) 660-4655
Fax: (905) 660-4113

U.S.A.
4575 Witmer Industrial Estates
Niagara Falls, NY 14305
Toll Free: (888) 660-4655
Fax Toll Free: (888) 660-4113

Distributed by:

Web page: <http://www.mircomgroup.com> Email: mail@mircomgroup.com

ISO 9001:2008
REGISTERED



CAT. 6545
rev4



Description

Mircom Transmitters combine both long range technologies and operation:

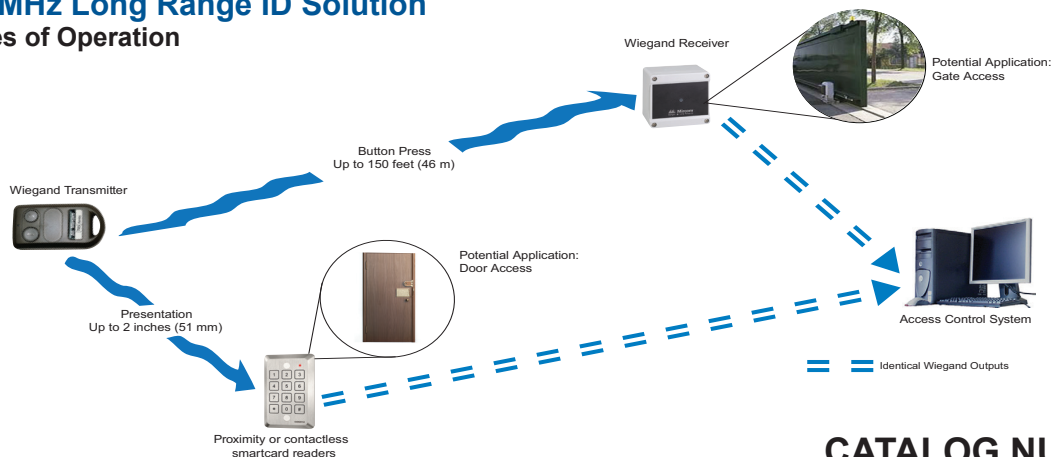
- Transmitters are available in either a two- or four-button configuration, each corresponding to its own Wiegand receiver. The TX3-WRR-44 works with the four button and the TX3-WRR-22 for the two button transmitters.
- Transmitters ship standard with a proximity module compatible with AWID and HID® proximity readers.
- Potted proximity or contactless smartcard module enables the transmitter to be used as a close-range, presentation style access credential
- Wiegand output works with all standard access control and identical data is outputted upon button press or presentation
- Presentation: 125-kHz proximity provides up to 2 inches (51mm) of read range
- Button press: 433-MHz operation features up to 100 feet (30.48m) of read range

Feature/Benefits

- Mircom's wireless communications are based upon a secure, digital, anti-playback routine, and rolling code, which reduces the risk of code sniffing and unauthorized duplication
- A robust weatherized design features hard plastic buttons, a reliable lithium battery and potted modules
- Transmitters include an integrated red LED, used to indicate both positive button press and battery strength
- Transmitter times-out* automatically when button is held down continuously to prevent battery drain and potential interference with other transmitters. Transmitter will turn on again only after the button is released and depressed again
- To enroll, simply double click the Transmitter when in range of the Receiver - no DIP switches required
- Compact design allows the Transmitters to be carried on a key chain, worn on a lanyard, or adhered to a flat surface, such as vehicle's dashboard using Velcro®, for convenient gate access. The two piece unit makes it simple to replace the battery and snap it back together
- Receiver has two channels which enables two overhead doors or gates to be controlled from one receiver
- Weather Resistant Receiver housing enables the receiver to be mounted outdoors

433-MHz Long Range ID Solution

Modes of Operation



CATALOG NUMBER 6542

NOT TO BE USED FOR INSTALLATION PURPOSES.

Mircom reserves the right to make changes at any time without notice in prices, colours, materials, components, equipment, specifications and models and also to discontinue models.

Specifications

Details	
Dimensions:	Transmitter 2.5 x 1.45 x 0.56 inches (57.2 x 37 x 14.2 mm) Receiver 3.5 x 3.4 x 2.3 inches (89 x 86.36 x 58.42)
Operation:	Button Press: long range 433 MHz (active) Presentation: 125 kHz proximity (passive)
Formats:	Wiegand (26-bit industry standard and custom Wiegand formats)
Operating Temperature:	Transmitter -25° C to +50° C (-13° F to +122° F) Receiver -40° C to +65° C (-40° F to +149° F)
Receiver Details:	current draw = 80 mA typical Input voltage = 8 to 24 VDC. IP66/NEMA4 compliant plastic enclosure (Dust & Moisture Resistant)
Transmitter Weight:	0.7 OZ (20g)
Secure Transmission:	Rolling code + Encryption algorithm
Read Range¹:	Button Press: Up to 100 feet (46 m) with TX3-WRR-22 Presentation: Up to 2 inches (51 mm) with transmitters
Warranty:	Limited 1-year warranty against defects in materials and workmanship
Battery:	Single replaceable CR2032, 3.3V, Lithium battery ²
Buttons for transmitters:	TX3-WRT-2H: Two buttons labeled 1 & 2 TX3- WRT-4H: Four buttons labeled 1 through 4
Compatibility:	Button press: TX3-WRR-22 receiver Presentation: AWID and HID Proximity 125 kHz readers.
Material:	Black polycarbonate enclosure with gray ABS keys
Certifications:	FCC, IC, CE and C-Tick
LED:	Integrated red LED standard (activated upon button press)
Marking:	Date code and ID
Key Ring:	Optional 1-inch (26 mm) key ring available - key ring is not supplied standard

Ordering Information

Model	Description
TX3-WRT-2H	2-Button Long-Range Transmitter, only works with the TX3-WRR-22 and TX3-WRR-42 receiver
TX3-WRT-4H	4-Button Long-Range Transmitter, only works with the TX3-WRR-44 receiver and TX3-WRR-42
TX3-WRR-22	Wiegand receiver only works with the TX3-WRT-2H transmitters

¹ Tested with WRT-4+.

² Rated to provide more than 450,000 button presses.

HID is a registered trademarks of HID Global Corporation, an ASSA ABLOY company. All other trademarks are the property of their respective owners.

NOT TO BE USED FOR INSTALLATION PURPOSES.



Canada
25 Interchange Way
Vaughan, Ontario L4K 5W3
Telephone: (905) 660-4655
Fax: (905) 660-4113

U.S.A.
4575 Witmer Industrial Estates
Niagara Falls, NY 14305
Toll Free: (888) 660-4655
Fax Toll Free: (888) 660-4113

Distributed by:

Web page: <http://www.mircomgroup.com> Email: mail@mircomgroup.com

ISO 9001:2008
REGISTERED



CAT. 6542
Rev. 1



Description

Mircom's TX3-CX-2K-A is a powerful hybrid IP and RS-485 networked two door controller that will manage up to 126 doors using the RS-485 network. Use TCP/IP and the system is virtually unlimited. Simply add a TX3-IP module to the panel for TCP/IP networks. The TX3-CX-2K-A Kit comes complete with one TX3-CX controller, two TX3-P300-HA readers, a configurator software on a flash memory stick and a USB cable for programming.

TX3-CX-2-A Door Controller

The TX3-CX-2-A controller has a unique feature of being compatible to the entire family of TX3 platform solutions from voice entry, elevator restriction and wireless Aperio locksets. Unlike other platforms, the TX3 will meet the basic job requirements and accommodate other elements of an intelligent building as the needs arise.

TX3-P300-HA Proximity Reader

The access control kit includes two TX3-P300-HA proximity card readers that deliver exceptional value without compromise on quality, durability, and performance. The TX3-P300-HA proximity card reader comes in an attractive, slim line dark grey enclosure. The reader may be mounted on a metal door frame, a window mullion or directly to an interior or exterior wall or cabinet.

The electronics of the TX3-P300-HA reader are encapsulated in a UL approved epoxy resin potting compound to seal them against adverse environmental conditions. The TX3-P300-HA proximity card readers are metal compensated, resulting in minimal loss of read range and provide ease of installation in various door access applications.

Feature/Benefits

- A hybrid architecture that combines the best of TCP/IP and RS-485. All panels can networked via RS-485 or TCP/IP.
- 8 supervised inputs for a wide selection of monitoring points to be shared between the two card readers
- 8 programmable outputs; 6 are Form C contacts (normally open/normally closed), two provide 12 VDC power for up to 1 amperes of current combined
- Supports all credential formats such as clamshell cards, graphic cards, key tags and wafers (ordered separately)
- Optional vehicular control using dual technology wireless transmitters that can have a built-in proximity coil (wafer)
- Unified database for TX3 voice entry and card access systems reduces administration time and support
- A variety of options to remotely manage the TX3 access panel to fit the site requirements. A modem, a TCP/IP module or use a local USB extender to a PC
- High level features include:
 - High Security
A convenient feature enabling the user to perform 'emergency lock down' or 'emergency evacuation' by swiping an ID card four times in front of a reader to lock or unlock all doors
 - Soft Anti-Pass Back
This function prevents the buddy system by requiring the user to use an exit reader before using an entry reader up to 900 seconds.
 - Mantrap/Interlocking Doors
This feature monitors and controls access to a high value or critical security area by ensuring one door is locked before opening the second door
 - Delayed Egress
This feature requires a user to press and hold a request to exit bar/button before releasing the door enabling security to respond before releasing the door
- Compatible to any Wiegand reader technology including Mifare, biometric, proximity and iClass
- Elevator Control for up to 96 floors to restrict users to specific floors

Access Control Panels



TX3-CX-2K-A Two Door Controller Kit

- Comes complete with;
- Two door controller
 - Two mullion mount card readers
 - System software configurator
 - USB cable for connection to PC



TX3-CX-2-A Two Door Controller

A two door controller with system software and a USB cable.

Dimensions:

14" (h) x 12" (w) x 2.8" (d) / 356 mm (h) x 305 mm (w) x 71mm (d)

Readers

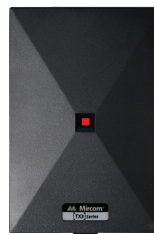


SR-2400-GR-MP Mullion Mount Reader

The SR-2400-GR-MP is designed to fit on a 1 3/4" standard metal door or window frame. A metal compensation feature ensures minimal read range loss when the reader is mounted on metal. The readers low profile design esthetically blends to any indoor or outdoor wall surface by two mounting screws.

Voltage: 5 to 12 VDC

Dimension:
4.5 x 1.8 x 0.70 inch (11.4 x 4.5 x 1.8 cm)



TX3-P500-HA Single Gang Mount Reader

The TX3-P500-HA is a switch plate reader designed to easily mount directly on a single gang box with a read range of up to 8 inches (20 cm).

Voltage: 5 to 16 VDC

Dimension:
4.6 x 3.1 x 0.36 inch (11.7 x 7.7 x 0.9 cm)



TX3-P640-H-A Keypad with Proximity Reader, Single Gang Mount

The TX3-P640-H-A is a combined proximity reader with 12 button keypad designed to fit directly on a single gang box. The TX3-P640-H-A is ideal for dual authentication for high security requirements or where a convenient PIN access would be required.

Voltage: 5 to 16 VDC

Dimension:
4.6 x 3.0 x 0.4 inch (11.7 x 7.7 x 1.0 cm)



TX3-P300-HA Mini Mullion Mount Reader

The TX3-P300-HA is used for indoor or outdoor applications for up to 6 inch read range.

Voltage: 5 to 16 VDC

Dimension:
3.2 x 1.7 x 0.7 inch (8.0 x 4.3 x 1.7 cm)



TX3 Credentials

A full complement of credential styles.

TX3-WRR-22

Dual Channel receiver compatible to TX3-WRT-2H two button transmitters.

Elevator Restriction

Elevator control is ideal for mixed use buildings where retail and residential access share common elevators. With our TX3-ER-8-A elevator control the user can restrict access to each card holder to specific floor or floors.

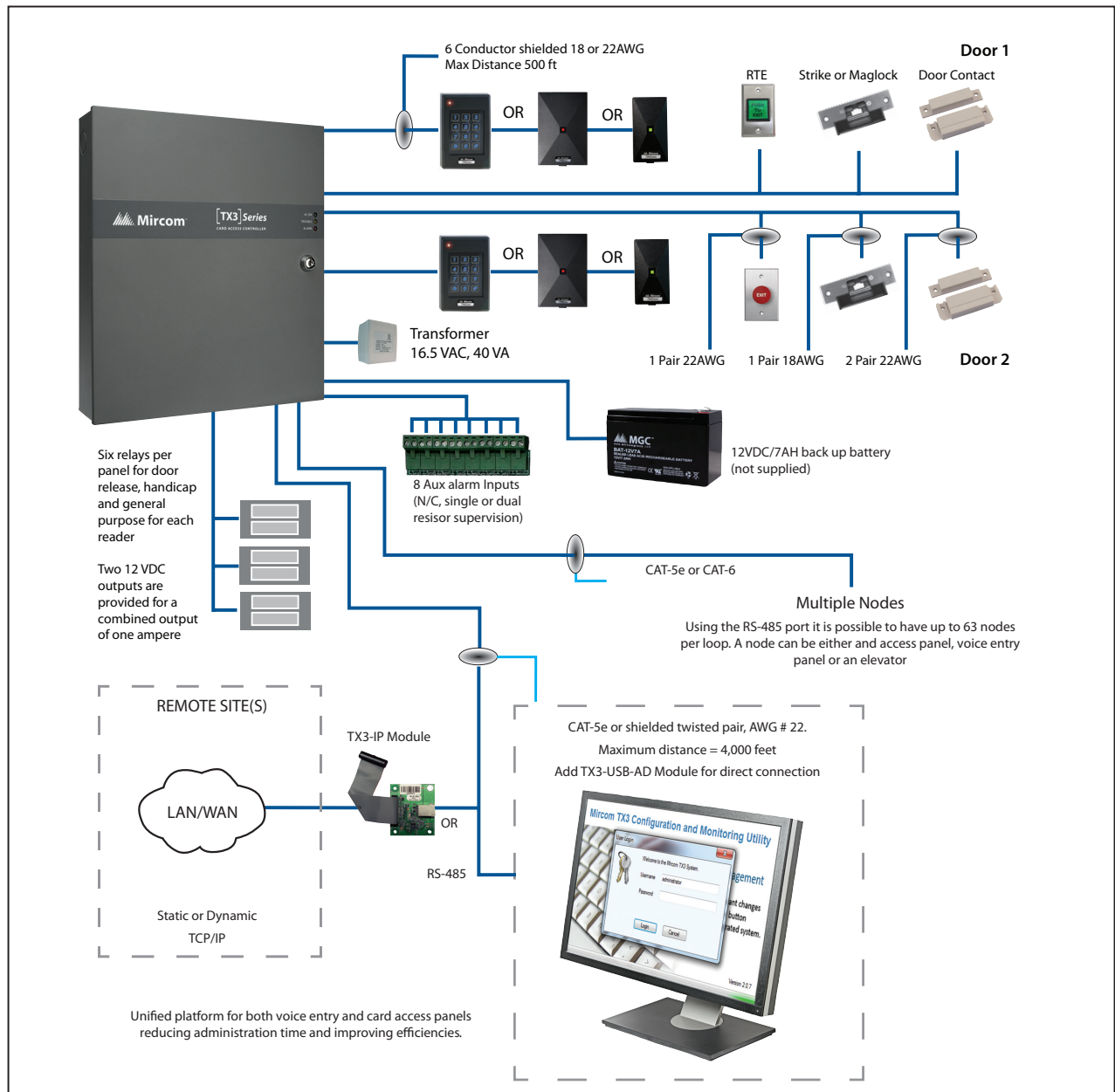
The TX3-ER-8-A provides access to one or several floors up to 96 floors or doors, using 2012E relay cards. Typically, a user presents his card to the card reader in the cab, the relays assigned to the card will trip and provide activation to the floor buttons in the elevator cabin and the user can select from the floors he has been granted access to.

TX3-ER-8-A Elevator Restriction Cabinet
2012E Twelve Unit Elevator Restriction Card

PC Requirements

- Dual core processor, 1 GHz
- 1 GB RAM
- 600 MB disk space
- Windows XP SP2/Vista/Windows 7/8, 32 or 64 bit
- USB Connection

TX3 Two Door Controller Wiring



Ordering Information

Model	Description
TX3-CX-2K-A	Two Door Access Control System Kit c/w one TX3-CX Door Controller, two proximity card readers (TX3-P300-HA), transformer, two graphic cards, Configurator software and a USB cable. Battery. For Battery Back-up, add one 12 VDC battery, 5 Ah or 7 Ah.
TX3-CX-2-A	Two Door Controller in a grey metal lockable cabinet including a 16VAC, transformer, software and USB cable. Battery Back-up: Add one 12 VDC battery, 5 Ah to 7 Ah.
Readers	
SR-2400-GR-MP	Mullion Mount Reader, 125 KHz, 5 to 12 VDC. Dimensions: 4.5 x 1.8 x 0.70 inch (11.4 x 4.5 x 1.8 cm)
TX3-P500-HA	Single Gang Mount Reader, Grey, 125 KHz, 5 to 16 VDC, Dimensions: 4.6 x 3.1 x 0.36 inch (11.7 x 7.7 x 0.9 cm)
TX3-P300-HA	Mini Mullion mount, 125 KHz, 5 to 16 VDC, Dimensions: 3.2 x 1.7 x 0.7 inch (8.0 x 4.3 x 1.7 cm)
TX3-P640-H-A	Keypad with Proximity Reader, Single gang mount, 5 to 16 VDC. Dimensions: 4.6 x 3.0 x 0.4 inch (11.7 x 7.7 x 1.0 cm)
39201237	A solid aluminum, tamper resistant, single gang mount keypad, IP68 rated with audible/visual feedback. Operating Temperature: 32°F to 257 °F (-40°C to 125°C)
TX3-WRR-22	Dual Channel Receiver for use with TX3-WRT-2H
TX3-WRR-44	Wiegand Receiver for use with TX3-WRT-4H four button transmitters.
Credentials	
CS-MIR-0-0	Clam Shell Proximity card with slot for portrait orientation strap. Accepts photo ID overlay. Packaged in quantities of 25 pieces.
GR-MIR-H-26 GR-MIR-H-37	Graphics Card for printing on both sides. Provision for portrait or landscape card slot punching. Packaged in quantities of 50 pieces. Available in 26-bit format GR-MIR-H-26 and Mircom format GR-MIR-H-37.
TX3-PDT-H-37	Adhesive proximity disc tag, HID supported, 125 KHz, Mircom format.
PW-MIR-0-0	Proximity Wafer with adhesive backing. One inch (2.54 cm) diameter. Packaged in quantities of 10 pieces.
KT-MIR-0-0	Key tag for key ring. Durable ABS plastic case to withstand years of abuse. Packaged in quantities of 10 pieces.
TX3-WRT-2H	Two Button transmitter with HID supported proximity tag.
TX3-WRT-4H	Four Button transmitter with HID supported proximity tag.
Accessories	
TX3-IP	Add-on TCP/IP Module fits on top of the TX3-CX-2K-A or TX3-CX-2-A motherboard
TX3-MDM	Modem module mounts onto control panel board
TX3-DATA-MDM	Modem USB 2.0 stick, one required per PC. Compliant with V.92, V.90 and V.44
TX3-USB-AD	USB to RS-485 Adaptor kit includes an MD-993 module and mounting hardware
Batteries	
BAT-12V5A	Battery, 12 VDC, 5 AH, one required per TX3-CX Control panel
BAT-12V7A	Battery, 12 VDC, 7.2 AH, one required per TX3-CX Control panel

NOT TO BE USED FOR INSTALLATION PURPOSES.



Canada
25 Interchange Way
Vaughan, Ontario L4K 5W3
Telephone: (905) 660-4655
Fax: (905) 660-4113

U.S.A.
4575 Witmer Industrial Estates
Niagara Falls, NY 14305
Toll Free: (888) 660-4655
Fax Toll Free: (888) 660-4113

Distributed by:

Web page: <http://www.mircomgroup.com> Email: mail@mircomgroup.com

ISO 9001:2008
REGISTERED



CAT. 6545
rev4



Description

Mircom's TX3-CX-2K-A is a powerful hybrid IP and RS-485 networked two door controller that will manage up to 126 doors using the RS-485 network. Use TCP/IP and the system is virtually unlimited. Simply add a TX3-IP module to the panel for TCP/IP networks. The TX3-CX-2K-A Kit comes complete with one TX3-CX controller, two TX3-P300-HA readers, a configurator software on a flash memory stick and a USB cable for programming.

TX3-CX-2-A Door Controller

The TX3-CX-2-A controller has a unique feature of being compatible to the entire family of TX3 platform solutions from voice entry, elevator restriction and wireless Aperio locksets. Unlike other platforms, the TX3 will meet the basic job requirements and accommodate other elements of an intelligent building as the needs arise.

TX3-P300-HA Proximity Reader

The access control kit includes two TX3-P300-HA proximity card readers that deliver exceptional value without compromise on quality, durability, and performance. The TX3-P300-HA proximity card reader comes in an attractive, slim line dark grey enclosure. The reader may be mounted on a metal door frame, a window mullion or directly to an interior or exterior wall or cabinet.

The electronics of the TX3-P300-HA reader are encapsulated in a UL approved epoxy resin potting compound to seal them against adverse environmental conditions. The TX3-P300-HA proximity card readers are metal compensated, resulting in minimal loss of read range and provide ease of installation in various door access applications.

Feature/Benefits

- A hybrid architecture that combines the best of TCP/IP and RS-485. All panels can networked via RS-485 or TCP/IP.
- 8 supervised inputs for a wide selection of monitoring points to be shared between the two card readers
- 8 programmable outputs; 6 are Form C contacts (normally open/normally closed), two provide 12 VDC power for up to 1 amperes of current combined
- Supports all credential formats such as clamshell cards, graphic cards, key tags and wafers (ordered separately)
- Optional vehicular control using dual technology wireless transmitters that can have a built-in proximity coil (wafer)
- Unified database for TX3 voice entry and card access systems reduces administration time and support
- A variety of options to remotely manage the TX3 access panel to fit the site requirements. A modem, a TCP/IP module or use a local USB extender to a PC
- High level features include:
 - High Security
A convenient feature enabling the user to perform 'emergency lock down' or 'emergency evacuation' by swiping an ID card four times in front of a reader to lock or unlock all doors
 - Soft Anti-Pass Back
This function prevents the buddy system by requiring the user to use an exit reader before using an entry reader up to 900 seconds.
 - Mantrap/Interlocking Doors
This feature monitors and controls access to a high value or critical security area by ensuring one door is locked before opening the second door
 - Delayed Egress
This feature requires a user to press and hold a request to exit bar/button before releasing the door enabling security to respond before releasing the door
- Compatible to any Wiegand reader technology including Mifare, biometric, proximity and iClass
- Elevator Control for up to 96 floors to restrict users to specific floors

Access Control Panels



TX3-CX-2K-A Two Door Controller Kit

- Comes complete with;
- Two door controller
 - Two mullion mount card readers
 - System software configurator
 - USB cable for connection to PC



TX3-CX-2-A Two Door Controller

A two door controller with system software and a USB cable.

Dimensions:

14" (h) x 12" (w) x 2.8" (d) / 356 mm (h) x 305 mm (w) x 71mm (d)

Readers

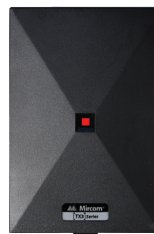


SR-2400-GR-MP Mullion Mount Reader

The SR-2400-GR-MP is designed to fit on a 1 3/4" standard metal door or window frame. A metal compensation feature ensures minimal read range loss when the reader is mounted on metal. The readers low profile design esthetically blends to any indoor or outdoor wall surface by two mounting screws.

Voltage: 5 to 12 VDC

Dimension:
4.5 x 1.8 x 0.70 inch (11.4 x 4.5 x 1.8 cm)



TX3-P500-HA Single Gang Mount Reader

The TX3-P500-HA is a switch plate reader designed to easily mount directly on a single gang box with a read range of up to 8 inches (20 cm).

Voltage: 5 to 16 VDC

Dimension:
4.6 x 3.1 x 0.36 inch (11.7 x 7.7 x 0.9 cm)



TX3-P640-H-A Keypad with Proximity Reader, Single Gang Mount

The TX3-P640-H-A is a combined proximity reader with 12 button keypad designed to fit directly on a single gang box. The TX3-P640-H-A is ideal for dual authentication for high security requirements or where a convenient PIN access would be required.

Voltage: 5 to 16 VDC

Dimension:
4.6 x 3.0 x 0.4 inch (11.7 x 7.7 x 1.0 cm)



TX3-P300-HA Mini Mullion Mount Reader

The TX3-P300-HA is used for indoor or outdoor applications for up to 6 inch read range.

Voltage: 5 to 16 VDC

Dimension:
3.2 x 1.7 x 0.7 inch (8.0 x 4.3 x 1.7 cm)



TX3 Credentials

A full complement of credential styles.

TX3-WRR-22

Dual Channel receiver compatible to TX3-WRT-2H two button transmitters.

Elevator Restriction

Elevator control is ideal for mixed use buildings where retail and residential access share common elevators. With our TX3-ER-8-A elevator control the user can restrict access to each card holder to specific floor or floors.

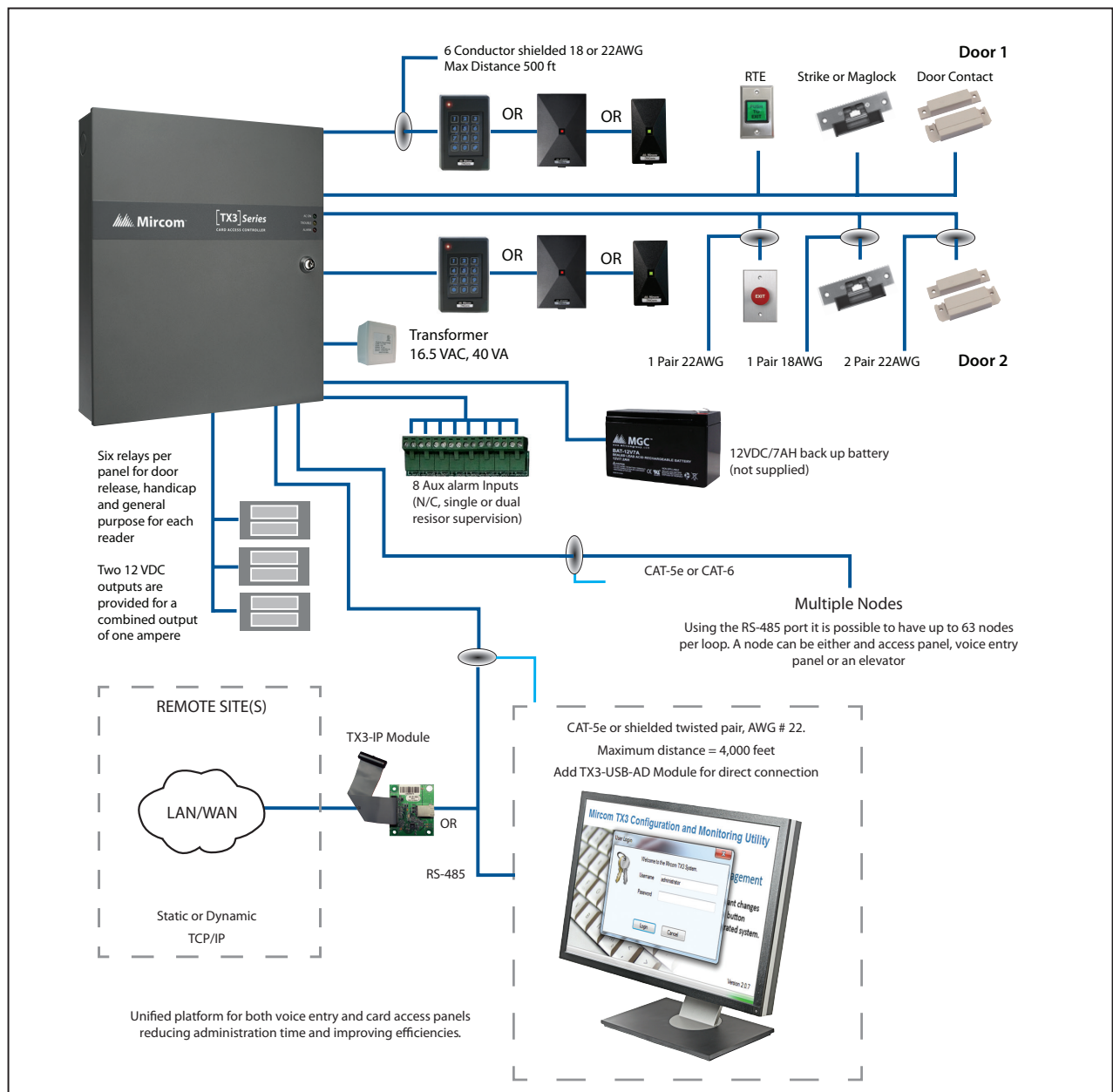
The TX3-ER-8-A provides access to one or several floors up to 96 floors or doors, using 2012E relay cards. Typically, a user presents his card to the card reader in the cab, the relays assigned to the card will trip and provide activation to the floor buttons in the elevator cabin and the user can select from the floors he has been granted access to.

TX3-ER-8-A Elevator Restriction Cabinet
2012E Twelve Unit Elevator Restriction Card

PC Requirements

- Dual core processor, 1 GHz
- 1 GB RAM
- 600 MB disk space
- Windows XP SP2/Vista/Windows 7/8, 32 or 64 bit
- USB Connection

TX3 Two Door Controller Wiring



Ordering Information

Model	Description
TX3-CX-2K-A	Two Door Access Control System Kit c/w one TX3-CX Door Controller, two proximity card readers (TX3-P300-HA), transformer, two graphic cards, Configurator software and a USB cable. Battery. For Battery Back-up, add one 12 VDC battery, 5 Ah or 7 Ah.
TX3-CX-2-A	Two Door Controller in a grey metal lockable cabinet including a 16VAC, transformer, software and USB cable. Battery Back-up: Add one 12 VDC battery, 5 Ah to 7 Ah.
Readers	
SR-2400-GR-MP	Mullion Mount Reader, 125 KHz, 5 to 12 VDC. Dimensions: 4.5 x 1.8 x 0.70 inch (11.4 x 4.5 x 1.8 cm)
TX3-P500-HA	Single Gang Mount Reader, Grey, 125 KHz, 5 to 16 VDC, Dimensions: 4.6 x 3.1 x 0.36 inch (11.7 x 7.7 x 0.9 cm)
TX3-P300-HA	Mini Mullion mount, 125 KHz, 5 to 16 VDC, Dimensions: 3.2 x 1.7 x 0.7 inch (8.0 x 4.3 x 1.7 cm)
TX3-P640-H-A	Keypad with Proximity Reader, Single gang mount, 5 to 16 VDC. Dimensions: 4.6 x 3.0 x 0.4 inch (11.7 x 7.7 x 1.0 cm)
39201237	A solid aluminum, tamper resistant, single gang mount keypad, IP68 rated with audible/visual feedback. Operating Temperature: 32°F to 257 °F (-40°C to 125°C)
TX3-WRR-22	Dual Channel Receiver for use with TX3-WRT-2H
TX3-WRR-44	Wiegand Receiver for use with TX3-WRT-4H four button transmitters.
Credentials	
CS-MIR-0-0	Clam Shell Proximity card with slot for portrait orientation strap. Accepts photo ID overlay. Packaged in quantities of 25 pieces.
GR-MIR-H-26 GR-MIR-H-37	Graphics Card for printing on both sides. Provision for portrait or landscape card slot punching. Packaged in quantities of 50 pieces. Available in 26-bit format GR-MIR-H-26 and Mircom format GR-MIR-H-37.
TX3-PDT-H-37	Adhesive proximity disc tag, HID supported, 125 KHz, Mircom format.
PW-MIR-0-0	Proximity Wafer with adhesive backing. One inch (2.54 cm) diameter. Packaged in quantities of 10 pieces.
KT-MIR-0-0	Key tag for key ring. Durable ABS plastic case to withstand years of abuse. Packaged in quantities of 10 pieces.
TX3-WRT-2H	Two Button transmitter with HID supported proximity tag.
TX3-WRT-4H	Four Button transmitter with HID supported proximity tag.
Accessories	
TX3-IP	Add-on TCP/IP Module fits on top of the TX3-CX-2K-A or TX3-CX-2-A motherboard
TX3-MDM	Modem module mounts onto control panel board
TX3-DATA-MDM	Modem USB 2.0 stick, one required per PC. Compliant with V.92, V.90 and V.44
TX3-USB-AD	USB to RS-485 Adaptor kit includes an MD-993 module and mounting hardware
Batteries	
BAT-12V5A	Battery, 12 VDC, 5 AH, one required per TX3-CX Control panel
BAT-12V7A	Battery, 12 VDC, 7.2 AH, one required per TX3-CX Control panel

NOT TO BE USED FOR INSTALLATION PURPOSES.



Canada
25 Interchange Way
Vaughan, Ontario L4K 5W3
Telephone: (905) 660-4655
Fax: (905) 660-4113

U.S.A.
4575 Witmer Industrial Estates
Niagara Falls, NY 14305
Toll Free: (888) 660-4655
Fax Toll Free: (888) 660-4113

Distributed by:

Web page: <http://www.mircomgroup.com> Email: mail@mircomgroup.com

ISO 9001:2008
REGISTERED



CAT. 6545
rev4



Description

Mircom's TX3-CX-2K-A is a powerful hybrid IP and RS-485 networked two door controller that will manage up to 126 doors using the RS-485 network. Use TCP/IP and the system is virtually unlimited. Simply add a TX3-IP module to the panel for TCP/IP networks. The TX3-CX-2K-A Kit comes complete with one TX3-CX controller, two TX3-P300-HA readers, a configurator software on a flash memory stick and a USB cable for programming.

TX3-CX-2-A Door Controller

The TX3-CX-2-A controller has a unique feature of being compatible to the entire family of TX3 platform solutions from voice entry, elevator restriction and wireless Aperio locksets. Unlike other platforms, the TX3 will meet the basic job requirements and accommodate other elements of an intelligent building as the needs arise.

TX3-P300-HA Proximity Reader

The access control kit includes two TX3-P300-HA proximity card readers that deliver exceptional value without compromise on quality, durability, and performance. The TX3-P300-HA proximity card reader comes in an attractive, slim line dark grey enclosure. The reader may be mounted on a metal door frame, a window mullion or directly to an interior or exterior wall or cabinet.

The electronics of the TX3-P300-HA reader are encapsulated in a UL approved epoxy resin potting compound to seal them against adverse environmental conditions. The TX3-P300-HA proximity card readers are metal compensated, resulting in minimal loss of read range and provide ease of installation in various door access applications.

Feature/Benefits

- A hybrid architecture that combines the best of TCP/IP and RS-485. All panels can networked via RS-485 or TCP/IP.
- 8 supervised inputs for a wide selection of monitoring points to be shared between the two card readers
- 8 programmable outputs; 6 are Form C contacts (normally open/normally closed), two provide 12 VDC power for up to 1 amperes of current combined
- Supports all credential formats such as clamshell cards, graphic cards, key tags and wafers (ordered separately)
- Optional vehicular control using dual technology wireless transmitters that can have a built-in proximity coil (wafer)
- Unified database for TX3 voice entry and card access systems reduces administration time and support
- A variety of options to remotely manage the TX3 access panel to fit the site requirements. A modem, a TCP/IP module or use a local USB extender to a PC
- High level features include:
 - High Security
A convenient feature enabling the user to perform 'emergency lock down' or 'emergency evacuation' by swiping an ID card four times in front of a reader to lock or unlock all doors
 - Soft Anti-Pass Back
This function prevents the buddy system by requiring the user to use an exit reader before using an entry reader up to 900 seconds.
 - Mantrap/Interlocking Doors
This feature monitors and controls access to a high value or critical security area by ensuring one door is locked before opening the second door
 - Delayed Egress
This feature requires a user to press and hold a request to exit bar/button before releasing the door enabling security to respond before releasing the door
- Compatible to any Wiegand reader technology including Mifare, biometric, proximity and iClass
- Elevator Control for up to 96 floors to restrict users to specific floors

Access Control Panels



TX3-CX-2K-A Two Door Controller Kit

- Comes complete with;
- Two door controller
 - Two mullion mount card readers
 - System software configurator
 - USB cable for connection to PC



TX3-CX-2-A Two Door Controller

A two door controller with system software and a USB cable.

Dimensions:

14" (h) x 12" (w) x 2.8" (d) / 356 mm (h) x 305 mm (w) x 71mm (d)

Readers

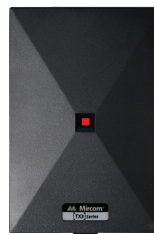


SR-2400-GR-MP Mullion Mount Reader

The SR-2400-GR-MP is designed to fit on a 1 3/4" standard metal door or window frame. A metal compensation feature ensures minimal read range loss when the reader is mounted on metal. The readers low profile design esthetically blends to any indoor or outdoor wall surface by two mounting screws.

Voltage: 5 to 12 VDC

Dimension:
4.5 x 1.8 x 0.70 inch (11.4 x 4.5 x 1.8 cm)



TX3-P500-HA Single Gang Mount Reader

The TX3-P500-HA is a switch plate reader designed to easily mount directly on a single gang box with a read range of up to 8 inches (20 cm).

Voltage: 5 to 16 VDC

Dimension:
4.6 x 3.1 x 0.36 inch (11.7 x 7.7 x 0.9 cm)



TX3-P640-H-A Keypad with Proximity Reader, Single Gang Mount

The TX3-P640-H-A is a combined proximity reader with 12 button keypad designed to fit directly on a single gang box. The TX3-P640-H-A is ideal for dual authentication for high security requirements or where a convenient PIN access would be required.

Voltage: 5 to 16 VDC

Dimension:
4.6 x 3.0 x 0.4 inch (11.7 x 7.7 x 1.0 cm)



TX3-P300-HA Mini Mullion Mount Reader

The TX3-P300-HA is used for indoor or outdoor applications for up to 6 inch read range.

Voltage: 5 to 16 VDC

Dimension:
3.2 x 1.7 x 0.7 inch (8.0 x 4.3 x 1.7 cm)



TX3 Credentials

A full complement of credential styles.

TX3-WRR-22

Dual Channel receiver compatible to TX3-WRT-2H two button transmitters.

Elevator Restriction

Elevator control is ideal for mixed use buildings where retail and residential access share common elevators. With our TX3-ER-8-A elevator control the user can restrict access to each card holder to specific floor or floors.

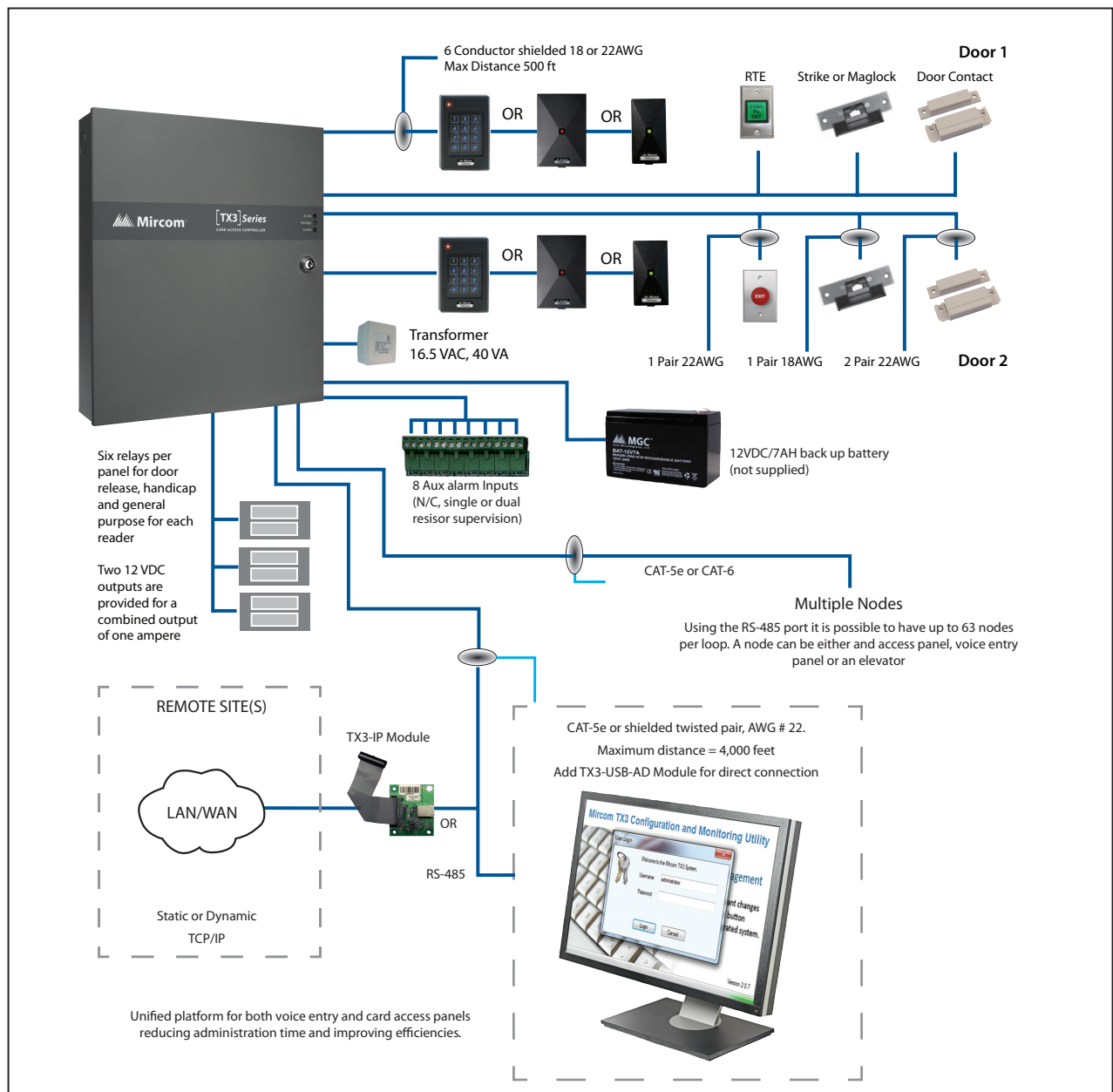
The TX3-ER-8-A provides access to one or several floors up to 96 floors or doors, using 2012E relay cards. Typically, a user presents his card to the card reader in the cab, the relays assigned to the card will trip and provide activation to the floor buttons in the elevator cabin and the user can select from the floors he has been granted access to.

TX3-ER-8-A Elevator Restriction Cabinet
2012E Twelve Unit Elevator Restriction Card

PC Requirements

- Dual core processor, 1 GHz
- 1 GB RAM
- 600 MB disk space
- Windows XP SP2/Vista/Windows 7/8, 32 or 64 bit
- USB Connection

TX3 Two Door Controller Wiring



Ordering Information

Model	Description
TX3-CX-2K-A	Two Door Access Control System Kit c/w one TX3-CX Door Controller, two proximity card readers (TX3-P300-HA), transformer, two graphic cards, Configurator software and a USB cable. Battery. For Battery Back-up, add one 12 VDC battery, 5 Ah or 7 Ah.
TX3-CX-2-A	Two Door Controller in a grey metal lockable cabinet including a 16VAC, transformer, software and USB cable. Battery Back-up: Add one 12 VDC battery, 5 Ah to 7 Ah.
Readers	
SR-2400-GR-MP	Mullion Mount Reader, 125 KHz, 5 to 12 VDC. Dimensions: 4.5 x 1.8 x 0.70 inch (11.4 x 4.5 x 1.8 cm)
TX3-P500-HA	Single Gang Mount Reader, Grey, 125 KHz, 5 to 16 VDC, Dimensions: 4.6 x 3.1 x 0.36 inch (11.7 x 7.7 x 0.9 cm)
TX3-P300-HA	Mini Mullion mount, 125 KHz, 5 to 16 VDC, Dimensions: 3.2 x 1.7 x 0.7 inch (8.0 x 4.3 x 1.7 cm)
TX3-P640-H-A	Keypad with Proximity Reader, Single gang mount, 5 to 16 VDC. Dimensions: 4.6 x 3.0 x 0.4 inch (11.7 x 7.7 x 1.0 cm)
39201237	A solid aluminum, tamper resistant, single gang mount keypad, IP68 rated with audible/visual feedback. Operating Temperature: 32°F to 257 °F (-40°C to 125°C)
TX3-WRR-22	Dual Channel Receiver for use with TX3-WRT-2H
TX3-WRR-44	Wiegand Receiver for use with TX3-WRT-4H four button transmitters.
Credentials	
CS-MIR-0-0	Clam Shell Proximity card with slot for portrait orientation strap. Accepts photo ID overlay. Packaged in quantities of 25 pieces.
GR-MIR-H-26 GR-MIR-H-37	Graphics Card for printing on both sides. Provision for portrait or landscape card slot punching. Packaged in quantities of 50 pieces. Available in 26-bit format GR-MIR-H-26 and Mircom format GR-MIR-H-37.
TX3-PDT-H-37	Adhesive proximity disc tag, HID supported, 125 KHz, Mircom format.
PW-MIR-0-0	Proximity Wafer with adhesive backing. One inch (2.54 cm) diameter. Packaged in quantities of 10 pieces.
KT-MIR-0-0	Key tag for key ring. Durable ABS plastic case to withstand years of abuse. Packaged in quantities of 10 pieces.
TX3-WRT-2H	Two Button transmitter with HID supported proximity tag.
TX3-WRT-4H	Four Button transmitter with HID supported proximity tag.
Accessories	
TX3-IP	Add-on TCP/IP Module fits on top of the TX3-CX-2K-A or TX3-CX-2-A motherboard
TX3-MDM	Modem module mounts onto control panel board
TX3-DATA-MDM	Modem USB 2.0 stick, one required per PC. Compliant with V.92, V.90 and V.44
TX3-USB-AD	USB to RS-485 Adaptor kit includes an MD-993 module and mounting hardware
Batteries	
BAT-12V5A	Battery, 12 VDC, 5 AH, one required per TX3-CX Control panel
BAT-12V7A	Battery, 12 VDC, 7.2 AH, one required per TX3-CX Control panel

NOT TO BE USED FOR INSTALLATION PURPOSES.



Canada
25 Interchange Way
Vaughan, Ontario L4K 5W3
Telephone: (905) 660-4655
Fax: (905) 660-4113

U.S.A.
4575 Witmer Industrial Estates
Niagara Falls, NY 14305
Toll Free: (888) 660-4655
Fax Toll Free: (888) 660-4113

Distributed by:

Web page: <http://www.mircomgroup.com> Email: mail@mircomgroup.com

ISO 9001:2008
REGISTERED



CAT. 6545
rev4

Elevator Restriction Devices

TX3 SERIES ELEVATOR RESTRICTION ACCESSORIES

[TX3] Series
TELEPHONE/CARD ACCESS SYSTEMS



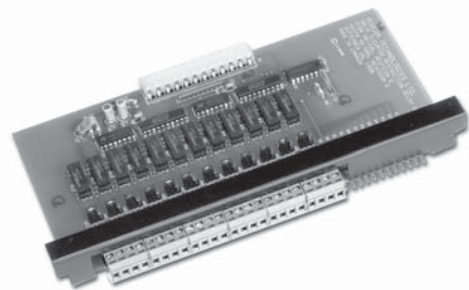
Features

- Allows visitor limited access into the building
- Provides time dependent relay contacts that can be used for either elevator control or video control
- User selectable timer for relay contacts can be set for each TX3-ER-8 Elevator Restriction Unit at each Entry Panel
- Used with any TX3 Series Lobby unit
- Each relay card supports up to 12 floors
- Master relay cabinet supports up to eight relay cards

TX3-ER-8 Elevator Restriction Unit

The TX3-ER-8 Elevator Restriction Unit allows the visitor limited access into a building. The TX3-ER-8 Elevator Restriction Unit comes complete with a cabinet, the Main Elevator Restriction Controller Board, the Elevator BackPlane and one PS-4P transformer. The TX3-ER-8 supports up to eight 2012E Elevator Restriction Relay Cards for a total of 96 elevator restriction relays. The TX3-ER-8 Elevator Restriction Unit provides time dependent relay contacts which can be used for either elevator control or video control.

Dimensions:
TX3-ER-8 27"H x 10 1/8"W x 6 3/8"D



2012E Elevator Restriction Relay Card

The 2012E Elevator Restriction Relay Card plugs into the Backplane portion of the TX3-ER-8 Elevator Restriction Unit. Each 2012E has 12 Form "A" or "B" (Each is Jumper selectable as Normally Closed or Normally Open) Relay contacts rated at 28 VDC, 0.5 ampere. A total of eight 2012E Elevator Restriction Relay Cards mount into each TX3-ER-8 Unit for a total of 96 elevator restriction relays.

CATALOG NUMBER **6532**

NOT TO BE USED FOR INSTALLATION PURPOSES.

Mircom reserves the right to make changes at any time without notice in prices, colours, materials, components, equipment, specifications and models and also to discontinue models.

Ordering Information

Model	Description
Relay Cabinet	
TX3-ER-8	Elevator Restriction Relay Cabinet
Relay Card	
2012E	Elevator Restriction Relay Card for 12 floors

NOT TO BE USED FOR INSTALLATION PURPOSES.



MircomTM

Canada
25 Interchange Way
Vaughan, Ontario L4K 5W3
Telephone: (905) 660-4655
Fax: (905) 660-4113

U.S.A.
4575 Witmer Industrial Estates
Niagara Falls, NY 14305
Toll Free: (888) 660-4655
Fax Toll Free: (888) 660-4113

Web page: <http://www.mircom.com> Email: mail@mircom.com

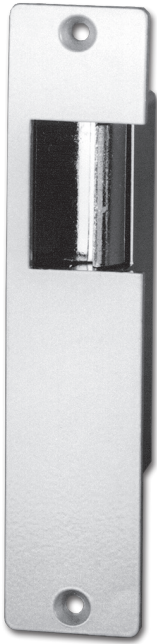
Distributed by:

ISO 9001:2008
REGISTERED



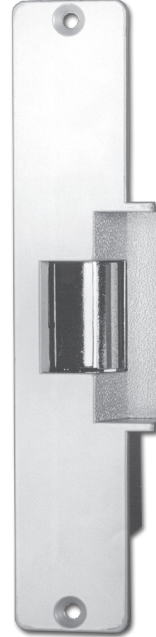
CAT. 6532
Rev. 1

Electronic Strikes and Locks


M-10 Door Strike

To be used with locksets having up to 1/2" throw.

- **NARROW STYLE**
face plate 1 1/4" Wide
- **SOLID CAST LATCH**
Cavity Measurements
Depth - 1/2";
Width - 1/2";
Height - 1 3/8"
- **HEAVY DUTY LATCH SPRING**
- **MORTISE TYPE**
Backset 1 9/16" Deep
- **FAIL-SECURE - (Standard Action)**
Unlocks when Energized
- **CORROSION RESISTANT**
Plated Face Plate and Latch
- **SATIN BRASS finish**
- **ELECTRICAL SPECS.**
Voltage: 8-16 AC/DC


M-20 Door Strike

Use with locksets having up to 1/2" throw.

- **AUXILIARY LEVER RAMPS**
For locksets with auxiliary dead locking levers
- **SOLID CAST LATCH**
Cavity Measurements
Depth - 1/2";
Width - 9/16";
Height - 1 3/8"
- **HEAVY DUTY LATCH SPRING**
- **MORTISE TYPE**
Backset 1 9/16" Deep
- **FAIL-SECURE - (Standard Action)**
Unlocks when Energized
- **SATIN ZINC finish**
- **ELECTRICAL SPECS.**
Voltage: 8-16 AC/DC

Description

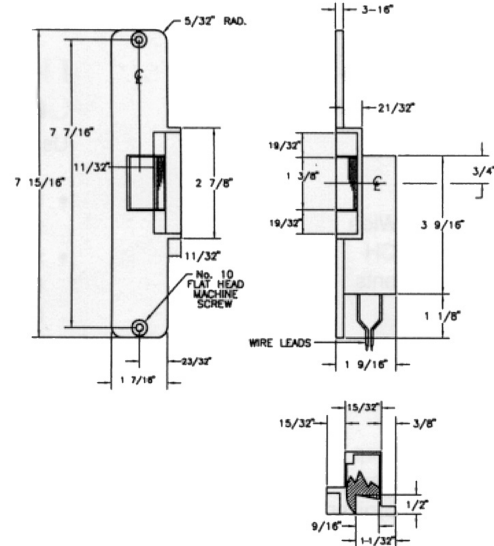
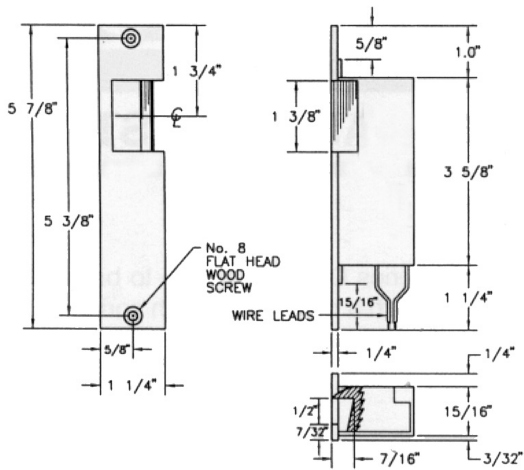
The Mircom M-Series Door Strikes are to be used in new or replacement installations in metal jambs. The door strikes come equipped with a heavy duty latch spring and are made with a solid cast latch. The M-Series are corrosion resistant and have a fail-secure feature.

CATALOG NUMBER 7900

NOT TO BE USED FOR INSTALLATION PURPOSES.

Mircom reserves the right to make changes at any time without notice in prices, colours, materials, components, equipment, specifications and models and also to discontinue models.

Compatible Locksets



M-10

Accurate	*66
Arrow	Comet, **150-750
Best	**52K-53K
Corbin	**5600
Dexter	Dexlock, **Duralock, Lifebolt
Dominion	**400, 5000
Falcon	A, BA, C, **E, **S
Harlock	HDCS Twin-Lock
Ilco	400
Kwikset	400, **500, 600
Lockwood	**S
National	400
PDQ	**SD, SS/SV
Russwin	S700
Sargent	**6G
Schlage	**A, F
Weiser	A, C, *E
Yale	5200, **5300

M-20

Accurate	66
Adams rite	4500
Arrow	Comet
Corbin	5700
Dexter	Dexlock
Dominion	5000
Falcon	*A
Harlock	HDCS
Ilco	400
Kwikset	400
National	400
PDQ	SS-SV
Russwin	5700
Schlage	F
Weiser	A
Yale	5200

NOT TO BE USED FOR INSTALLATION PURPOSES.



Canada
25 Interchange Way
Vaughan, Ontario L4K 5W3
Telephone: (905) 660-4655
Fax: (905) 660-4113

U.S.A.
4575 Witmer Industrial Estates
Niagara Falls, NY 14305
Toll Free: (888) 660-4655
Fax Toll Free: (888) 660-4113

Web page: <http://www.mircom.com> Email: mail@mircom.com

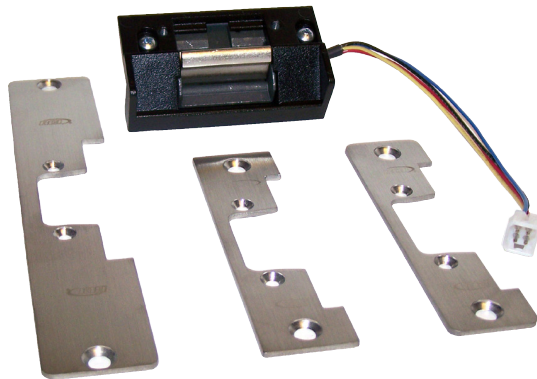
Distributed by:

ISO 9001:2008
REGISTERED



CAT. 7900
Rev. 6

S65U SERIES ELECTRIC STRIKE



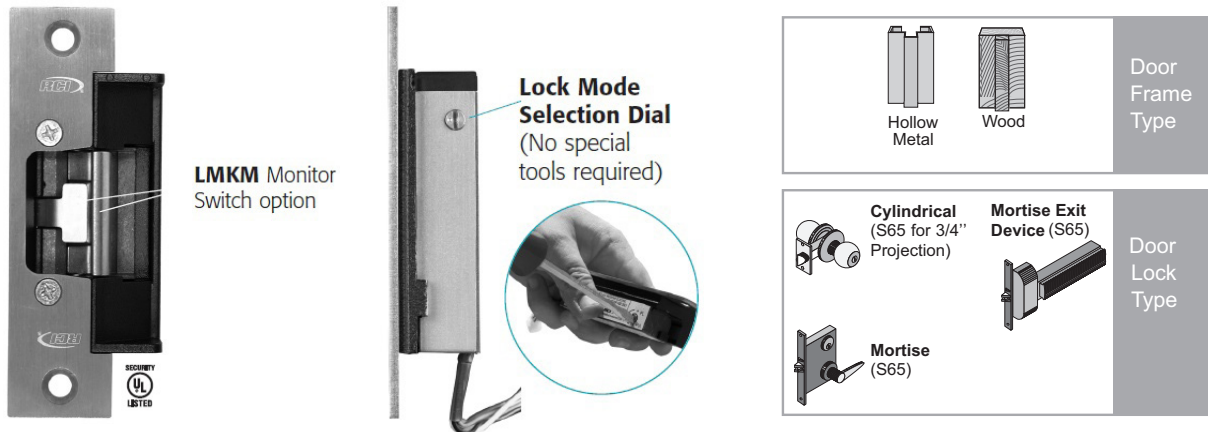
Features

- All-in-One for hollow metal and wood frames.
- Field Selectable lock Mode: - Fail safe or Fail secure.
- Field Selectable Voltage
- UL1034 Burglary Resistant Listed
- UL Listed for 1,500 lbs static strength
- Plug-in wire connectors
- 3-Year Warranty
- Optional Latch Monitor/Keeper Monitor Status

Description

The electric strike combines several key features such as; multi-voltage single solenoid, selectable lock mode (no tools required.), horizontal adjustment and plug-in wire connectors. The S65 is ideal when you require 3/4" latch projection.

The installations will be faster and easier and your inventory will be significantly less since one strike does it all; Cylindrical and Mortise



Fail Unlocked

Rotate the adjustment screw so the dimple is fully rotated to the opposite the faceplate side of the strike (fully counter clockwise). Your strike is now fail unlocked and requires power to lock.

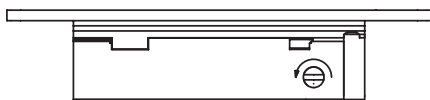


Fig. 1 Fail Unlocked = screw fully counter clockwise

Fail locked

Rotate the adjustment screw so the dimple is fully rotated to the faceplate side of the strike (fully clockwise). Your strike is now fail locked and requires power to unlock the door.

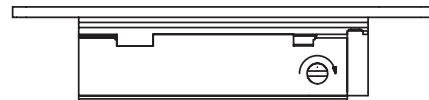


Fig. 2 Fail Locked = screw fully clockwise

CATALOG NUMBER **7906**

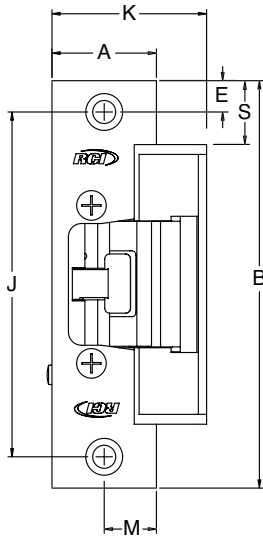
NOT TO BE USED FOR INSTALLATION PURPOSES.

Mircom reserves the right to make changes at any time without notice in prices, colours, materials, components, equipment, specifications and models and also to discontinue models.

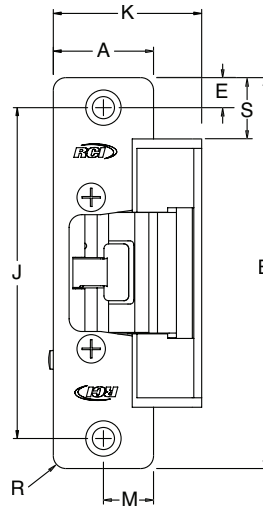
Specifications



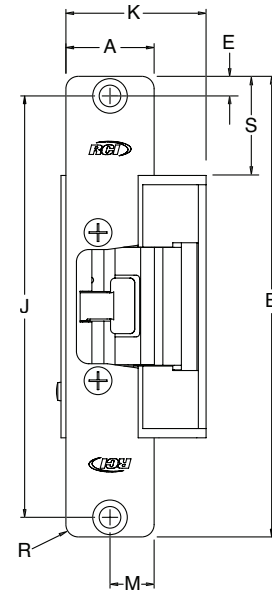
S6514
(1-1/4"W x 4-7/8"H)
Hollow Metal



S6504
(1-1/4"W x 4-7/8"H)
Aluminum



S6505
(1-1/8"W x 5-7/8"H)
Aluminum or Wood



PROFILE MEASUREMENT	S6514 INCHES	S6514 DECIMAL	S6514 METRIC (mm)	S6504 INCHES	S6504 DECIMAL	S6504 METRIC (mm)	S6505 INCHES	S6505 DECIMAL	S6505 METRIC (mm)
A	1-1/4	1.25	31.75	1-1/4	1.25	31.75	1-1/8	1.125	28.58
B	4-7/8	4.875	123.83	4-7/8	4.875	123.83	5-7/8	5.875	149.23
E	3/8	.375	9.53	3/8	.375	9.53	1/4	0.25	6.35
J	4-1/8	4.125	104.78	4-1/8	4.125	104.78	5-3/8	5.375	136.53
K	1-27/32	1.844	46.83	1-27/32	1.844	46.83	1-25/32	1.781	45.24
M	5/8	.625	15.88	5/8	.625	15.88	35/64	.547	13.89
R	—	—	—	5/32	0.156	3.97	5/32	0.156	3.97
S	49/64	.766	19.45	49/64	.766	19.45	1-17/64	1.266	32.15

Installation

Lip Bracket Adjustment

If your door or latch is out of adjustment, the insert can be adjusted forward or back as required for proper alignment to the latch. See Fig. 3

1. Remove the strike from the frame.
2. Remove the faceplate from the strike.
3. Two screws secure the lip bracket to the main insert
4. Loosen these screws approximately 1-1/2 to 2 full turns to allow the insert to move forward or backward as required.
5. Once the adjustment is made tighten all screws and reinstall the strike in the frame.

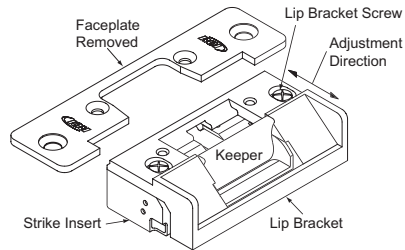


Fig. 3

Use 12VDC wire harness for 12VDC, 12-24VAC or 11-16VAC input power.

Use 24VDC wire harness for 24VDC input power only

Attach the red wire to (+) positive of the power supply. Attach the black wire to the (-) negative of the power supply (see Fig. 4). If using AC power, polarity is not observed.

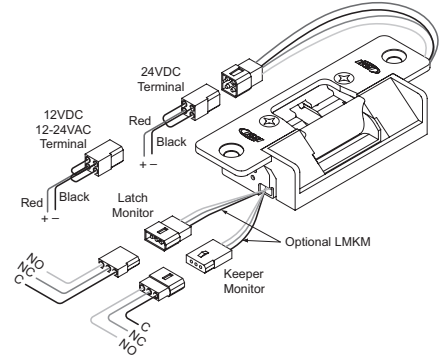


Fig. 4

Mode Field Selectable	Voltage Field Selectable	Duty	Sound	Amps*	Ohms†
FUL/FL	12VDC	Continuous	Silent	.375	37
FUL/FL	24VDC	Continuous	Silent	.190	148
FUL/FL	12 to 24VDC	Intermittent	Buzz	.280 - .565	37

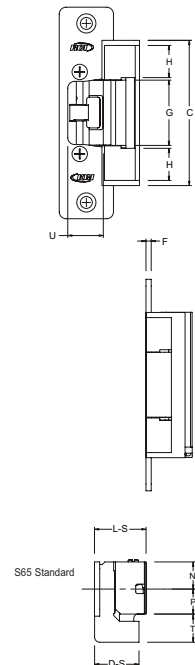
Intermittent Duty = Energized less than 1 min. with Duty Ratio 1:5, Continuous Duty = Energized 1 min. or more

*Ratings are based on maximum current draw at +10°C and include initial power-up current draw.

†Nominal resistance at +25°C ± 7% tolerance.

Profiles									
MEASUREMENT	C	D-S	F	G	H	L-S	N	P	
FRACTIONAL INCHES	3-11/32	1-5/32	1/8	37	47/64	1-3/16	5/8	37/64	
DECIMAL INCHES	3.344	1.156	.125	148	.734	1.188	.625	.578	
METRIC mm	84.93	29.37	3.18	37	18.65	30.16	11.88	14.68	

T MEASUREMENT	default	min	max	T MEASUREMENT	default	min	max
FRACTIONAL INCHES	21/32	1/2	49/64	FRACTIONAL INCHES	13/16	45/64	31/32
DECIMAL INCHES	0.656	0.500	0.766	DECIMAL INCHES	0.813	0.703	0.969
METRIC mm	16.67	12.70	19.45	METRIC mm	20.64	17.86	24.61



NOTE: Specifications are subject to change without notice. S6514 dimensions are listed as D-S and L-S

Ordering Information

Model	Description
S65U	S6504/08/14 Universal Standard Door Strike, Profile 5/8" X 32D
S65ULMKM	S6504/08/14 LMKM Universal Door Strike, 5/8" X 32D with latch monitor

NOT TO BE USED FOR INSTALLATION PURPOSES.



Canada
25 Interchange Way
Vaughan, Ontario L4K 5W3
Telephone: (905) 660-4655
Fax: (905) 660-4113

U.S.A.
4575 Witmer Industrial Estates
Niagara Falls, NY 14305
Toll Free: (888) 660-4655
Fax Toll Free: (888) 660-4113

Web page: <http://www.mircomgroup.com> Email: mail@mircomgroup.com

Distributed by:

ISO 9001:2008
REGISTERED



CAT. 7906
Rev 2

Access Control Accessories



Description

Mircom Transmitters combine both long range technologies and operation:

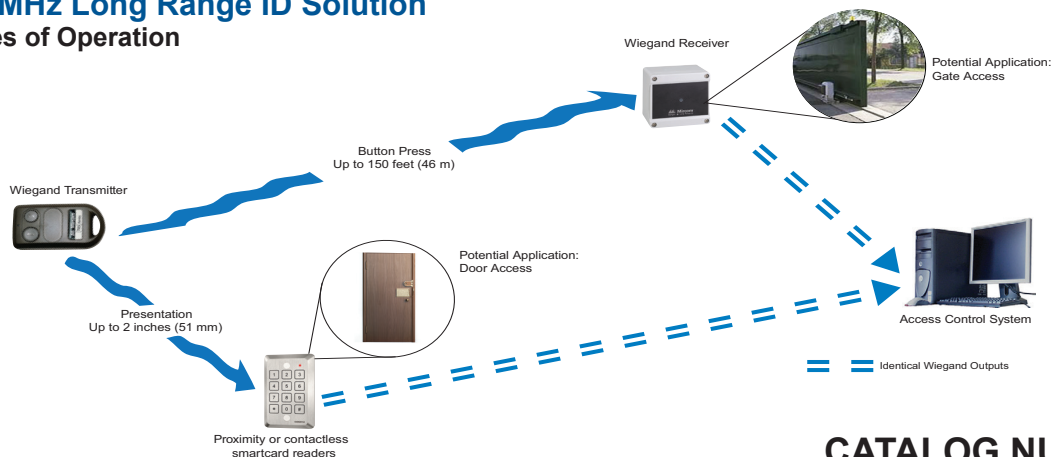
- Transmitters are available in either a two- or four-button configuration, each corresponding to its own Wiegand receiver. The TX3-WRR-44 works with the four button and the TX3-WRR-22 for the two button transmitters.
- Transmitters ship standard with a proximity module compatible with AWID and HID® proximity readers.
- Potted proximity or contactless smartcard module enables the transmitter to be used as a close-range, presentation style access credential
- Wiegand output works with all standard access control and identical data is outputted upon button press or presentation
- Presentation: 125-kHz proximity provides up to 2 inches (51mm) of read range
- Button press: 433-MHz operation features up to 100 feet (30.48m) of read range

Feature/Benefits

- Mircom's wireless communications are based upon a secure, digital, anti-playback routine, and rolling code, which reduces the risk of code sniffing and unauthorized duplication
- A robust weatherized design features hard plastic buttons, a reliable lithium battery and potted modules
- Transmitters include an integrated red LED, used to indicate both positive button press and battery strength
- Transmitter times-out* automatically when button is held down continuously to prevent battery drain and potential interference with other transmitters. Transmitter will turn on again only after the button is released and depressed again
- To enroll, simply double click the Transmitter when in range of the Receiver - no DIP switches required
- Compact design allows the Transmitters to be carried on a key chain, worn on a lanyard, or adhered to a flat surface, such as vehicle's dashboard using Velcro®, for convenient gate access. The two piece unit makes it simple to replace the battery and snap it back together
- Receiver has two channels which enables two overhead doors or gates to be controlled from one receiver
- Weather Resistant Receiver housing enables the receiver to be mounted outdoors

433-MHz Long Range ID Solution

Modes of Operation



CATALOG NUMBER 6542

NOT TO BE USED FOR INSTALLATION PURPOSES.

Mircom reserves the right to make changes at any time without notice in prices, colours, materials, components, equipment, specifications and models and also to discontinue models.

Specifications

Details	
Dimensions:	Transmitter 2.5 x 1.45 x 0.56 inches (57.2 x 37 x 14.2 mm) Receiver 3.5 x 3.4 x 2.3 inches (89 x 86.36 x 58.42)
Operation:	Button Press: long range 433 MHz (active) Presentation: 125 kHz proximity (passive)
Formats:	Wiegand (26-bit industry standard and custom Wiegand formats)
Operating Temperature:	Transmitter -25° C to +50° C (-13° F to +122° F) Receiver -40° C to +65° C (-40° F to +149° F)
Receiver Details:	current draw = 80 mA typical Input voltage = 8 to 24 VDC. IP66/NEMA4 compliant plastic enclosure (Dust & Moisture Resistant)
Transmitter Weight:	0.7 OZ (20g)
Secure Transmission:	Rolling code + Encryption algorithm
Read Range¹:	Button Press: Up to 100 feet (46 m) with TX3-WRR-22 Presentation: Up to 2 inches (51 mm) with transmitters
Warranty:	Limited 1-year warranty against defects in materials and workmanship
Battery:	Single replaceable CR2032, 3.3V, Lithium battery ²
Buttons for transmitters:	TX3-WRT-2H: Two buttons labeled 1 & 2 TX3- WRT-4H: Four buttons labeled 1 through 4
Compatibility:	Button press: TX3-WRR-22 receiver Presentation: AWID and HID Proximity 125 kHz readers.
Material:	Black polycarbonate enclosure with gray ABS keys
Certifications:	FCC, IC, CE and C-Tick
LED:	Integrated red LED standard (activated upon button press)
Marking:	Date code and ID
Key Ring:	Optional 1-inch (26 mm) key ring available - key ring is not supplied standard

Ordering Information

Model	Description
TX3-WRT-2H	2-Button Long-Range Transmitter, only works with the TX3-WRR-22 and TX3-WRR-42 receiver
TX3-WRT-4H	4-Button Long-Range Transmitter, only works with the TX3-WRR-44 receiver and TX3-WRR-42
TX3-WRR-22	Wiegand receiver only works with the TX3-WRT-2H transmitters

¹ Tested with WRT-4+.

² Rated to provide more than 450,000 button presses.

HID is a registered trademarks of HID Global Corporation, an ASSA ABLOY company. All other trademarks are the property of their respective owners.

NOT TO BE USED FOR INSTALLATION PURPOSES.



Canada
25 Interchange Way
Vaughan, Ontario L4K 5W3
Telephone: (905) 660-4655
Fax: (905) 660-4113

U.S.A.
4575 Witmer Industrial Estates
Niagara Falls, NY 14305
Toll Free: (888) 660-4655
Fax Toll Free: (888) 660-4113

Distributed by:

Web page: <http://www.mircomgroup.com> Email: mail@mircomgroup.com

ISO 9001:2008
REGISTERED



CAT. 6542
Rev. 1